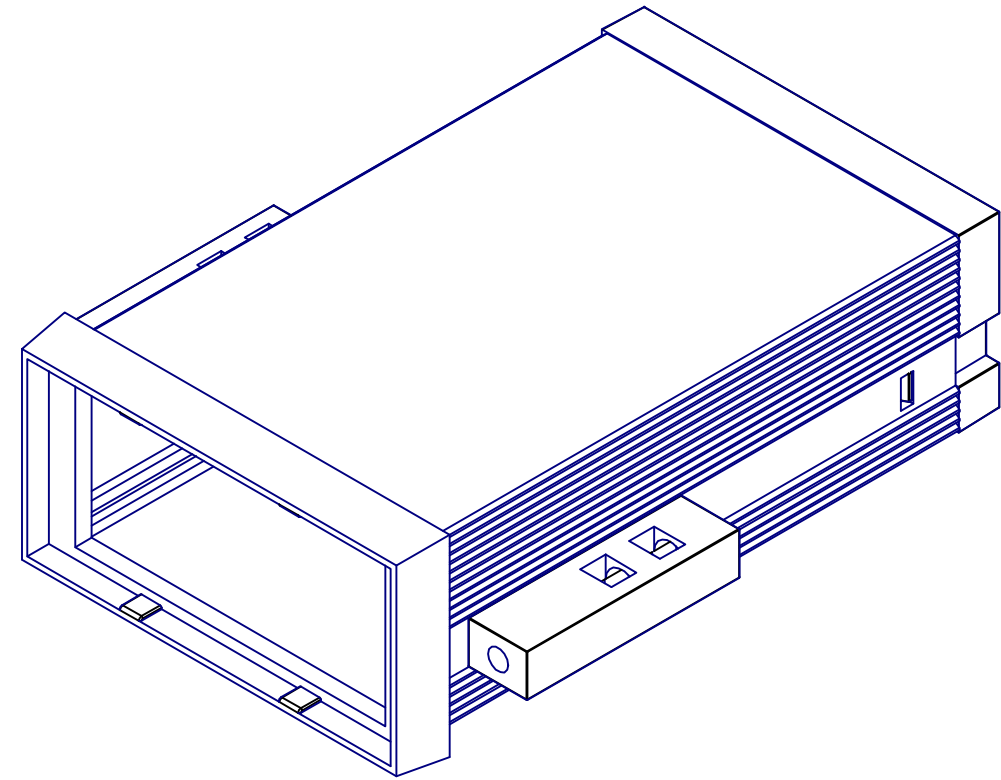
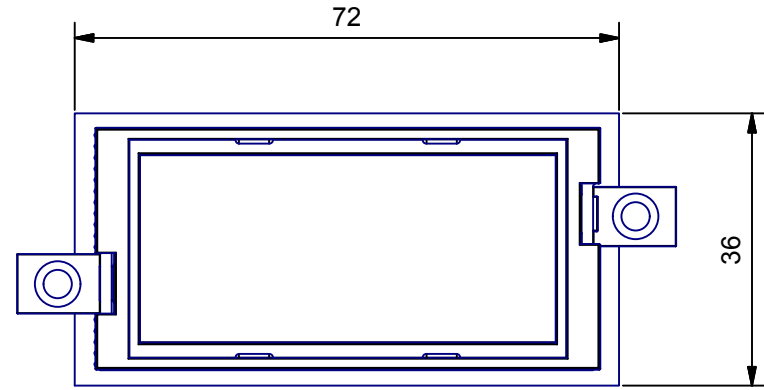
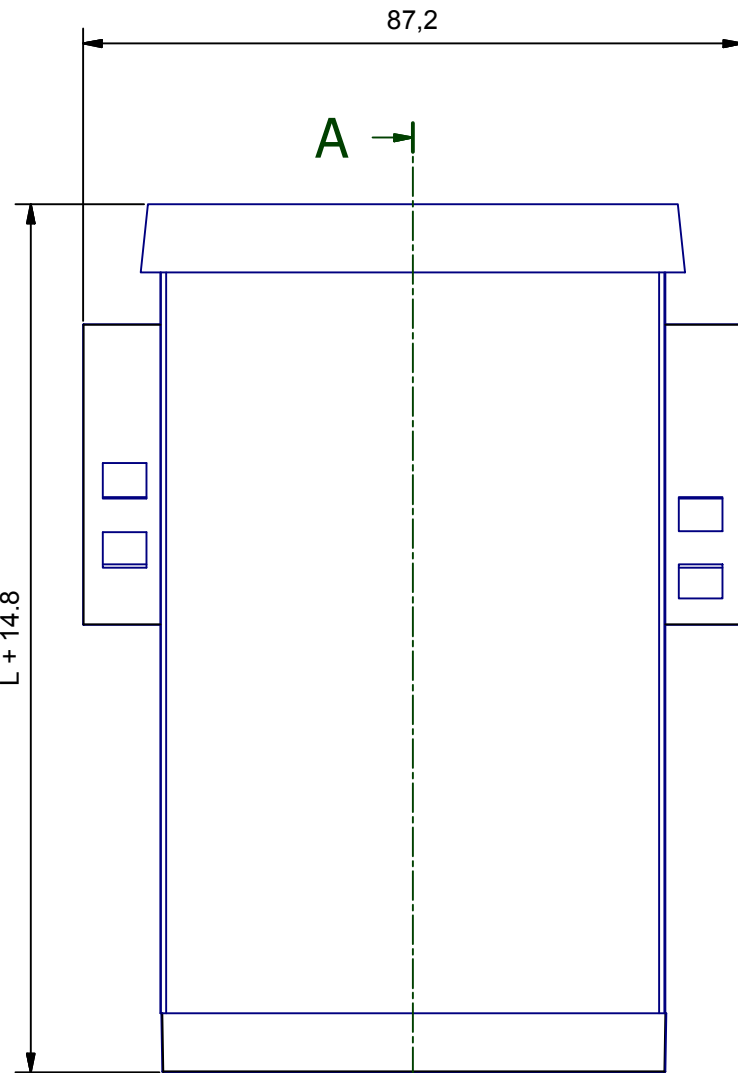
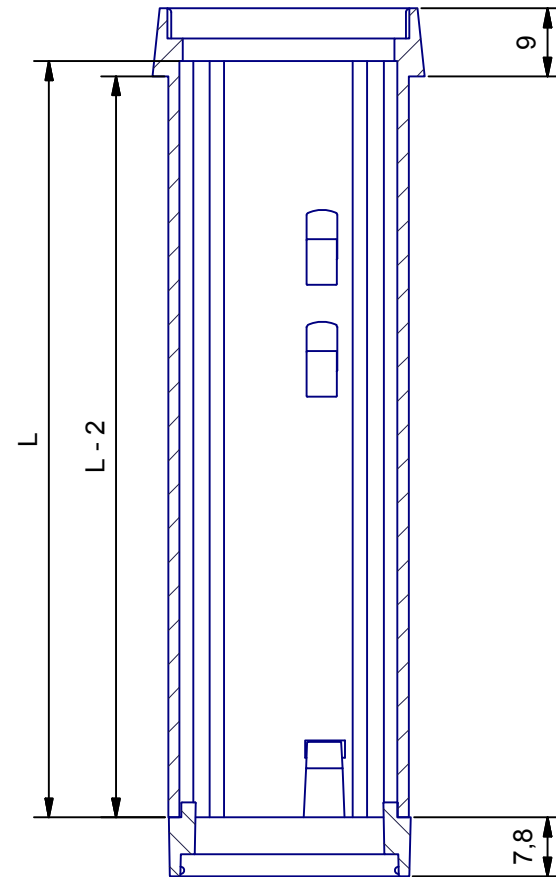


6 | 5 | 4 | 3 | 2 | 1



A-A (1:1)



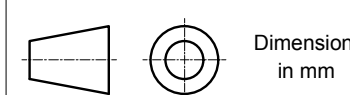
VERSIONS	L
36X72 L57	57 mm
36X72 L75	75 mm
36X72 L100	100 mm
36X72 LXXX	80 mm Max

COMPONENTS LIST				
RIF.	Q.TY	DESCRIPTION	CODE	
1	1	Corpo cont. 36X72 B - Body enclosure 36x72 B	I-00092	
2	2	Agganci in plastica INCABOX - Plastic fixing INCABOX	I-00769	
3	1	Cornice posteriore 36x72 - Rear frame 36x72	I-01119	

Da 0,5 a 3	Oltre 3 fino a 6	Oltre 6 fino a 30	Oltre 30 fino a 120	Oltre 120
± 0,1	± 0,1	± 0,2	± 0,3	± 0,5

RESERVED PROPERTY

The present drawing cannot be reproduced or communicated to 3d parties, even partially, without the authorization of ITALTRONIC Srl. Italtronic reserves to protect its own rights according to the law.



Dimension in mm

SHEET NR.
1 / 1

DRAWING BY
GAD
Manual modification are not allowed

GENERAL TOLERANCE
UNI EN 22768/1
Media (m)

Date: 17/04/2013

Replace nr.

Drawed: Rigato N.

Checked: Dalla Montà D.

Scale:

Revision description

5 4 3 2 1



Denomination:
Contenitore completo INCABOX 36X72 B
Complete enclosure INCABOX 36x72 B

ITALTRONIC S.R.L.
VIA AUSTRIA 25/D 35127
PADOVA - ITALY
www.italtronic.com

Drawing nr.
I-04568-00

6 | 5 | 4 | 3 | 2 | 1

D
C
B
A

D
C
B
A