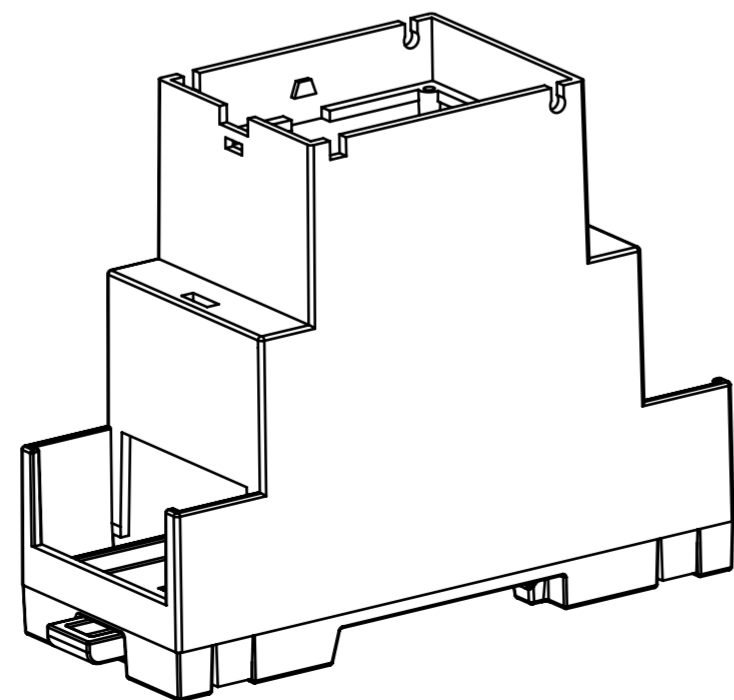
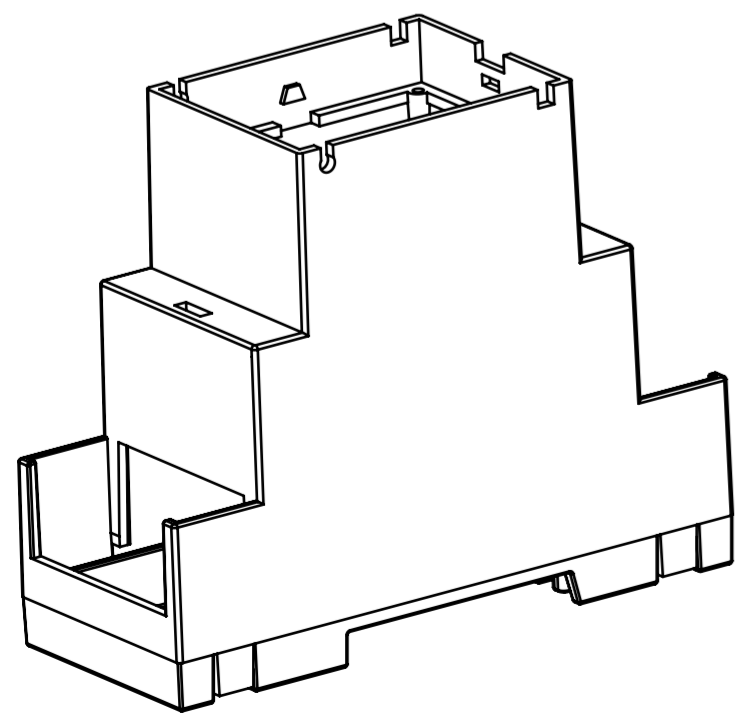
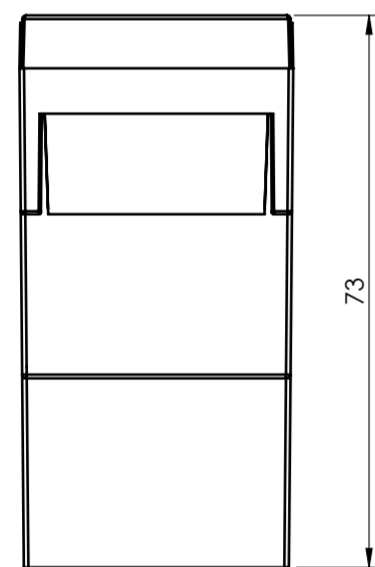
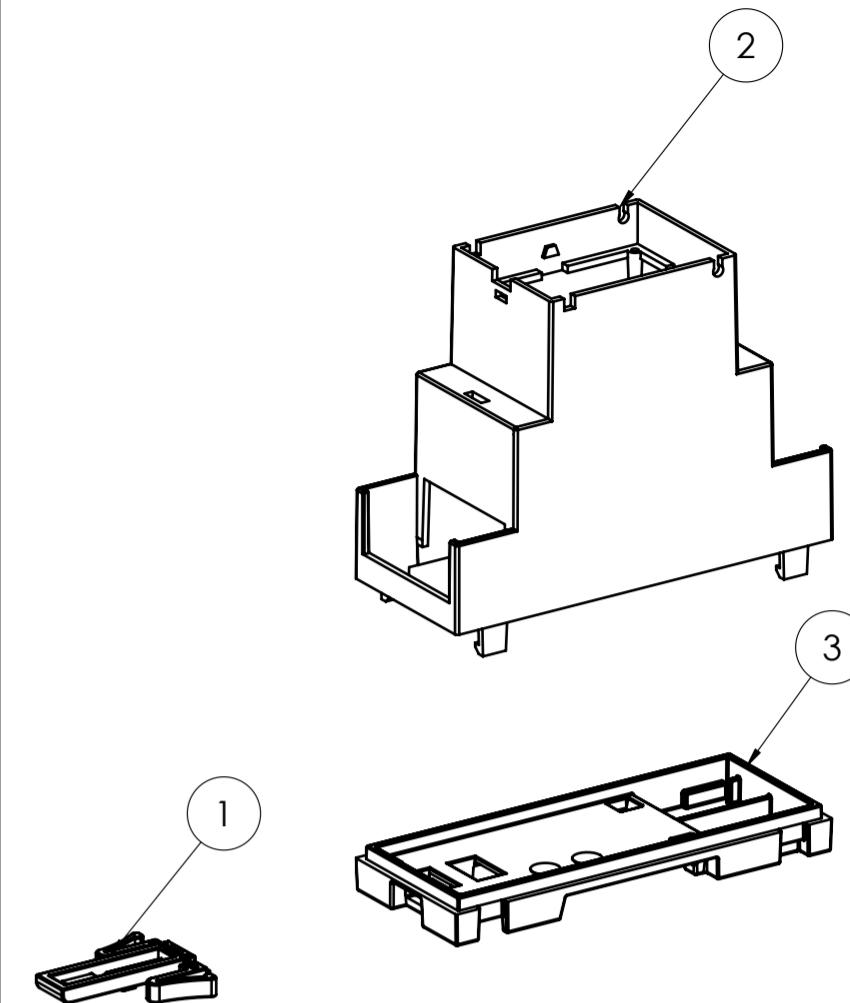
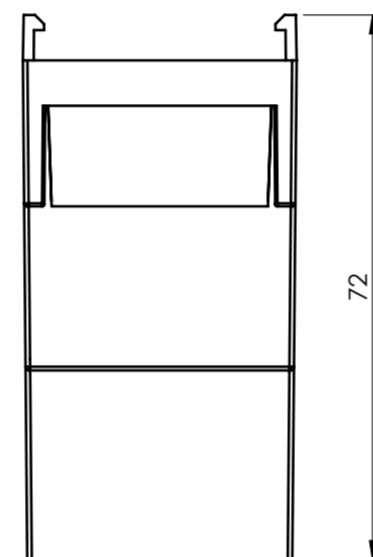
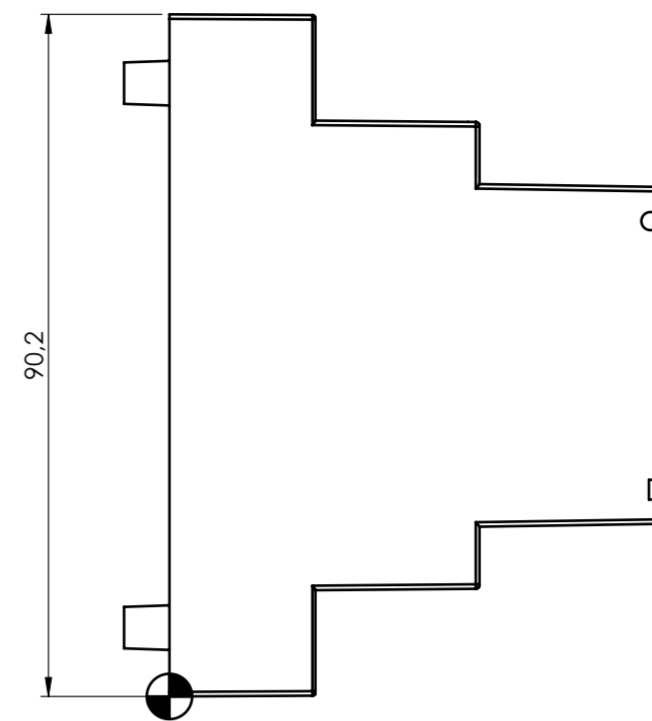
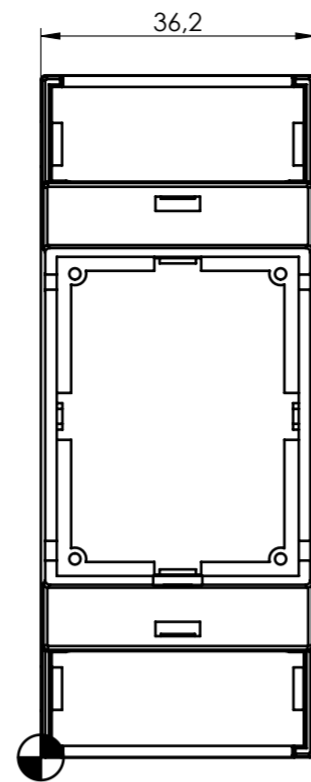


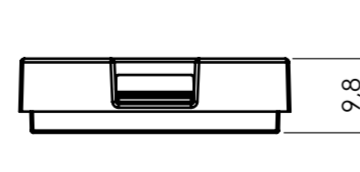
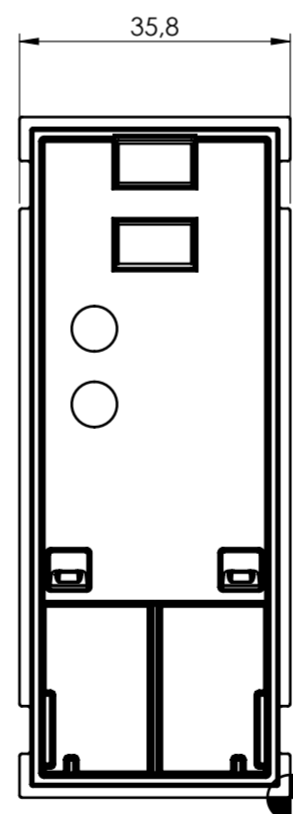
SECTION A-A



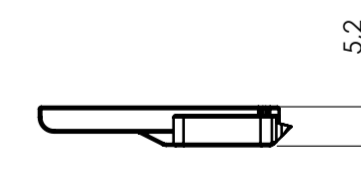
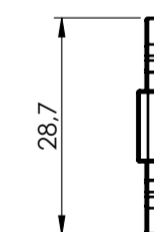
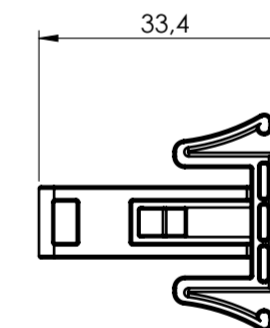
BODY ENCLOSURE



BASE



HOOK



General information:
 - Workpiece zero point for mechanical processing
 - Minimum recommended radius for machining = R1.0 mm
 - Mounting rail like EN 60715: TH 35-7.5 or TH 35-15
 - Recommended PCB outline on www.italtronic.com

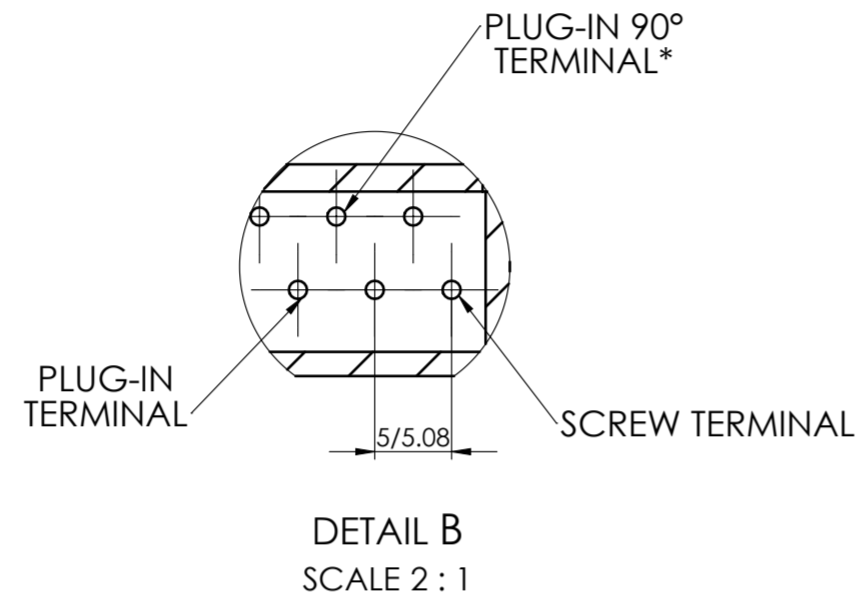
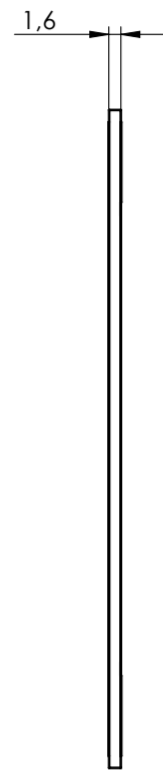
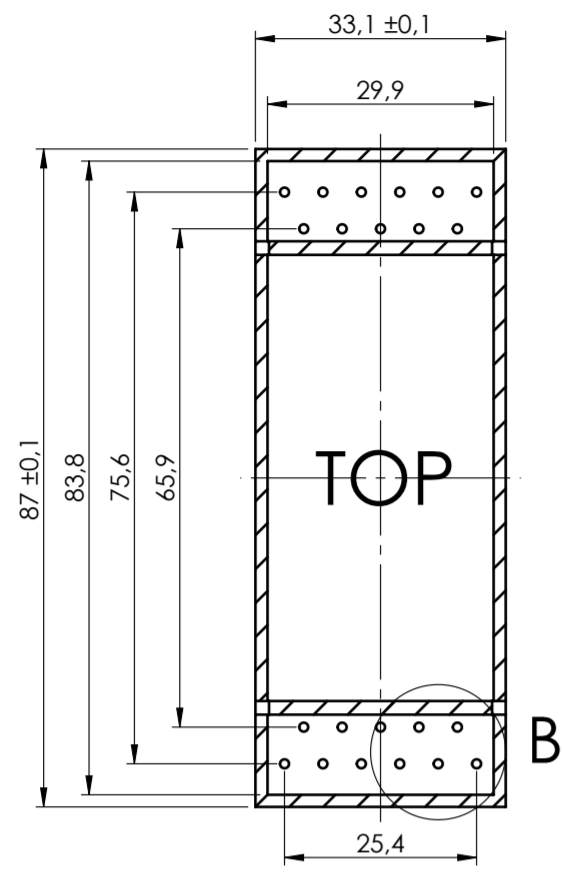
RIF.	Q.TY	DRAWING	DESCRIPTION
1	1	2_250_00079	HOOK FOR MODULBOX ONE
2	1	2_250_00112	BODY ENCLOSURE MODULBOX ONE 2MH68
3	1	2_250_03647	BASE MODULBOX ONE 2M

General Tolerance UNI EN 22768/1 Media (m)					Sheet:
from 0.5 to 3 ± 0.1	from 3 to 6 ± 0.1	from 6 to 30 ± 0.2	from 30 to 120 ± 0.3	from 120 to 400 ± 0.5	1
Scale:	Drawn:	Checked:	Date:	Material:	Process:
1:1	M.S.	R.N.	19/07/2023		
Dimension in mm	Derived from:		Weight:	Cod. Mold:	
			gr	--	

		Description: KIT CONTENITORE MODULBOX ONE 2MH68 KIT ENCLOSURE MODULBOX ONE 2MH68		Rev.:	A2
Drawing nr.: 3_250_00146		italtronic.com		-	

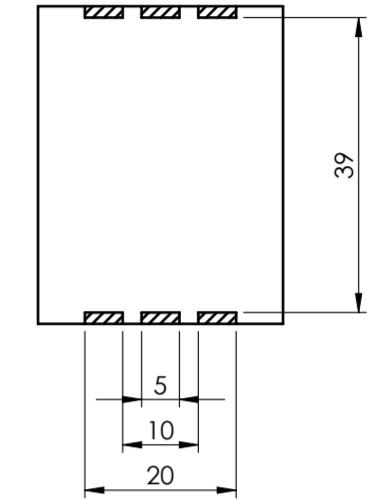
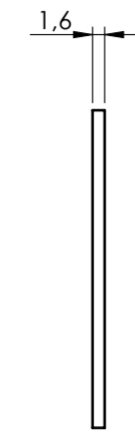
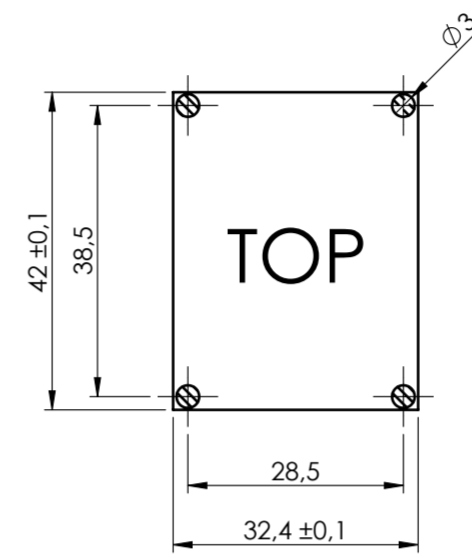
PCB A

Max height of the terminal:
Modulbox ONE: 20 mm

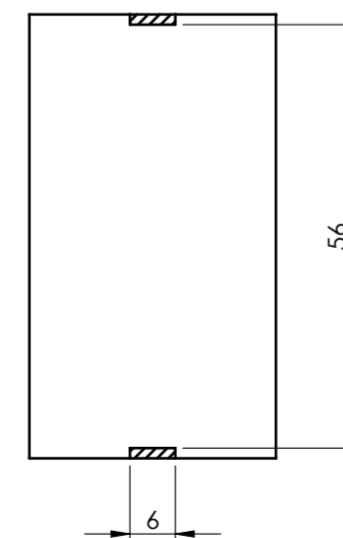
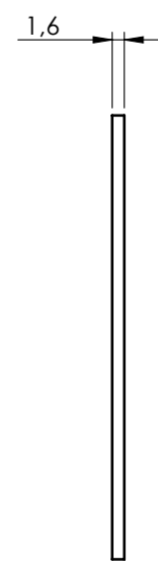
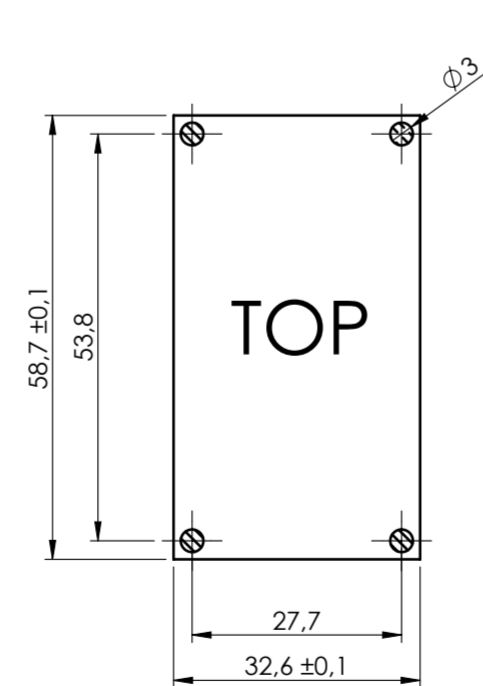


**To use the PLUG-IN terminals in Modulbox ONE use plug-in adapter P05000003E (5/5.08 pitch) and P05000004E (7.5/7.62 pitch)*


PCB C



PCB B



NO COMPONENTS AREA

General Tolerance UNI EN 22768/1 Media (m)					Sheet:
from 0.5 to 3 ± 0.1	from 3 to 6 ± 0.1	from 6 to 30 ± 0.2	from 30 to 120 ± 0.3	from 120 to 400 ± 0.5	PCB
Scale:	Drawn:	Checked:	Date:	Material:	Process:
1:1	M.S.	R.N.	19/07/2023		
Dimension in mm				Derived from:	Weight:
<small>The present drawing cannot be reproduced or communicated to third parties, even partially, without the authorization of Italtronic. Italtronic reserves the right to protect its own rights according to the law.</small>				gr	Cod. Mold:
 Description: KIT CONTENITORE MODULBOX ONE 2MH68 KIT ENCLOSURE MODULBOX ONE 2MH68					Rev.:
Drawing nr.: 3_250_00146					- A2