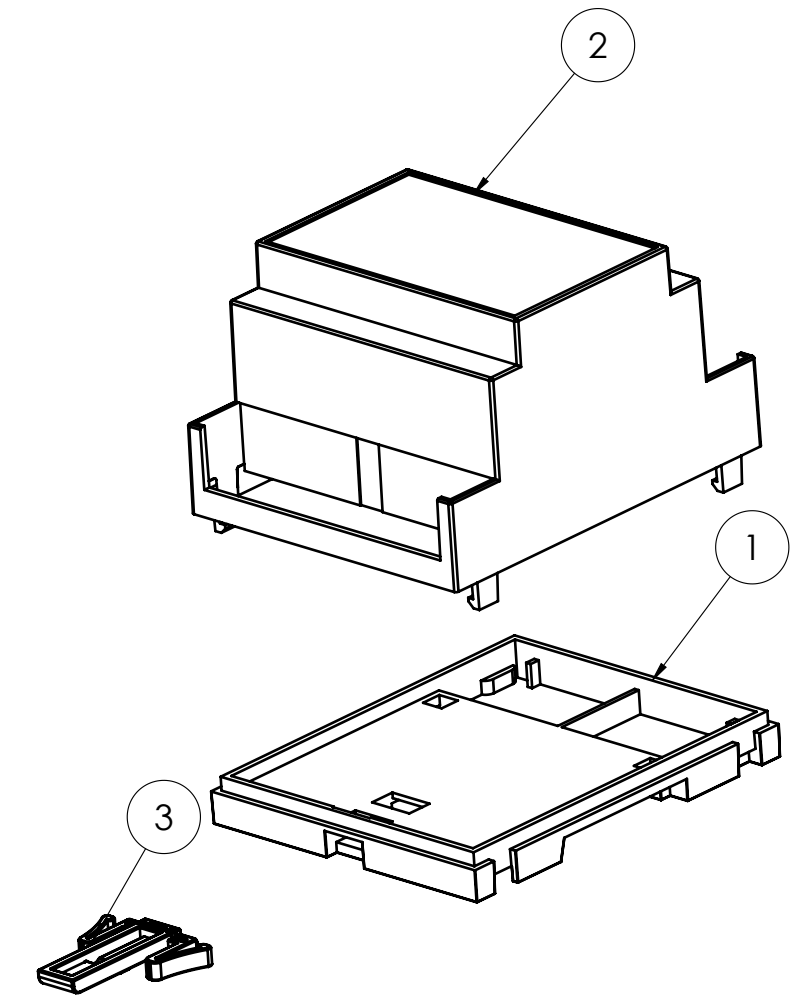
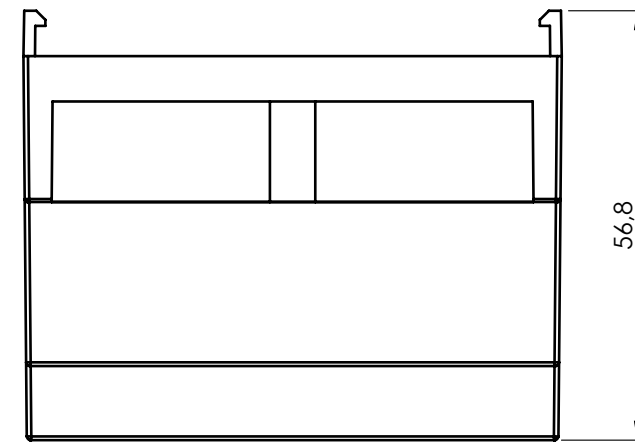
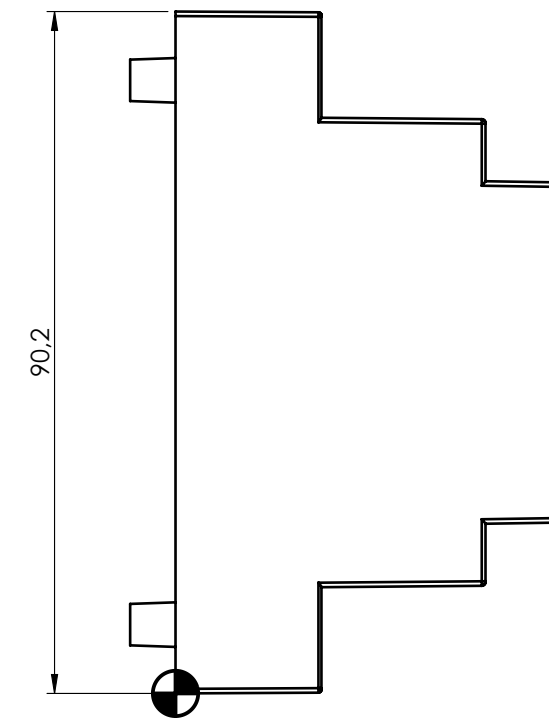
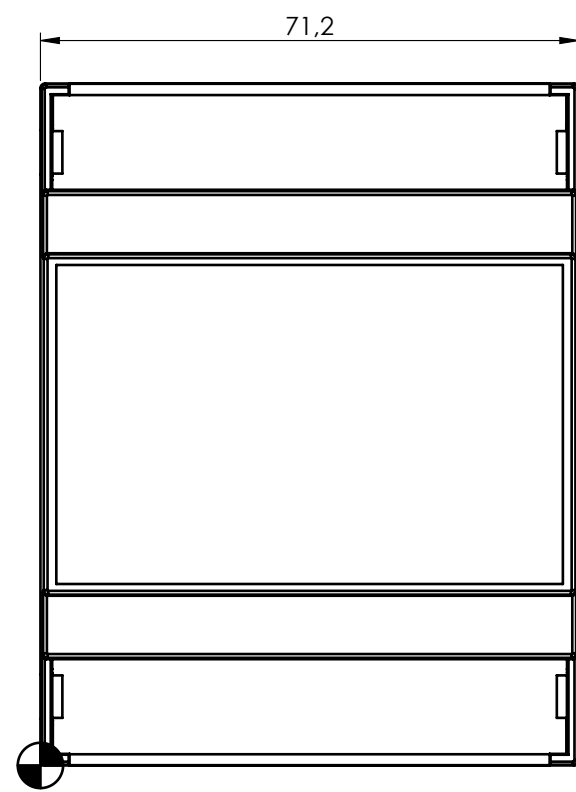
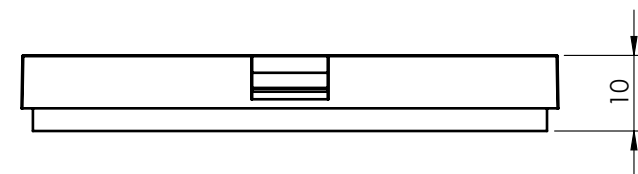
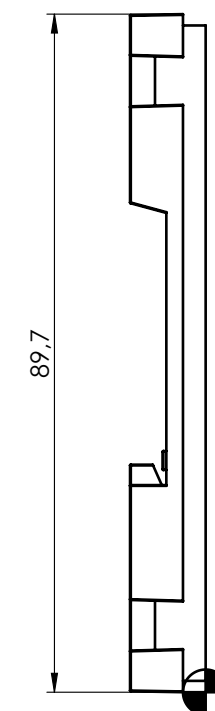
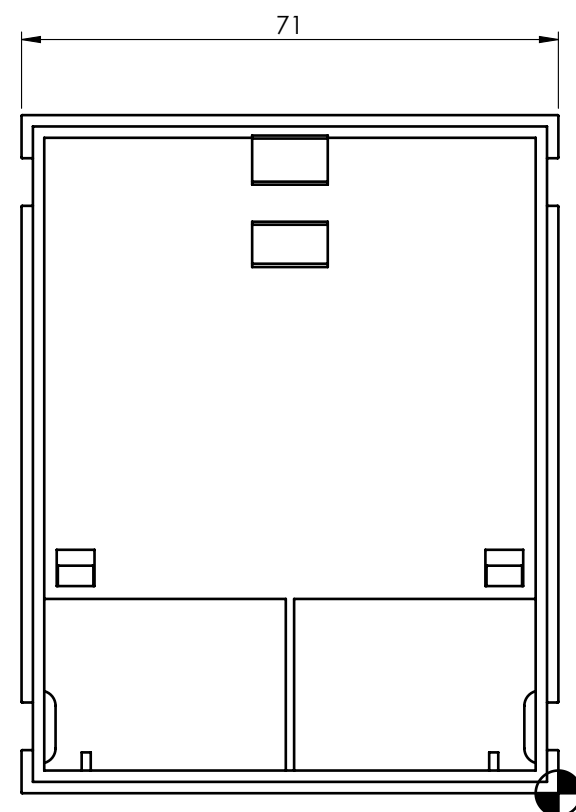


### BODY ENCLOSURE

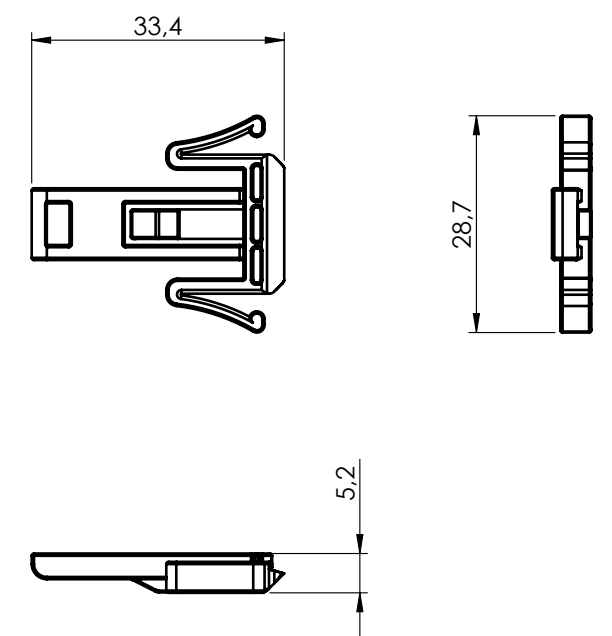


### BASE



General information:  
 - Workpiece zero point for mechanical processing  
 - Minimum recommended radius for machining = R1.0 mm  
 - Mounting rail like EN 60715: TH 35-7.5 or TH 35-15  
 - Recommended PCB outline on [www.italtronic.com](http://www.italtronic.com)

### HOOK

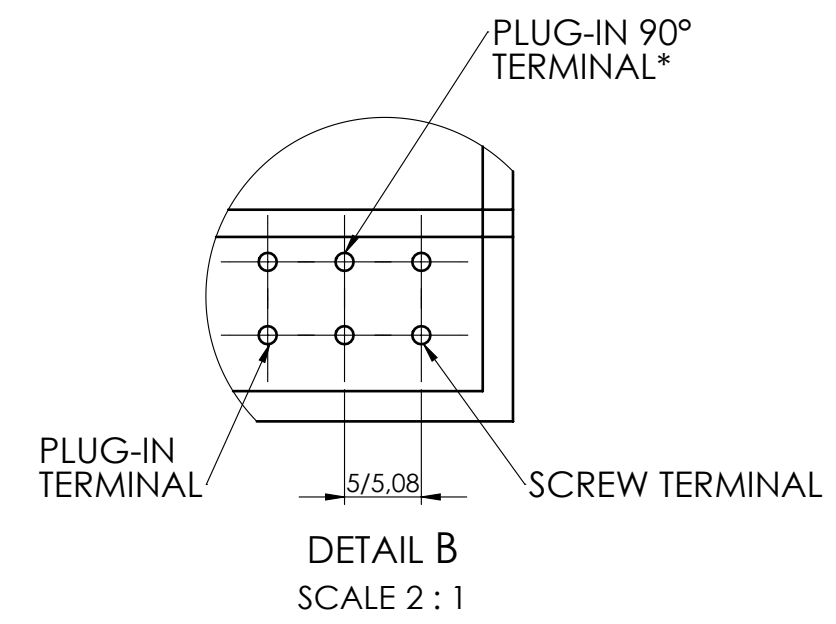
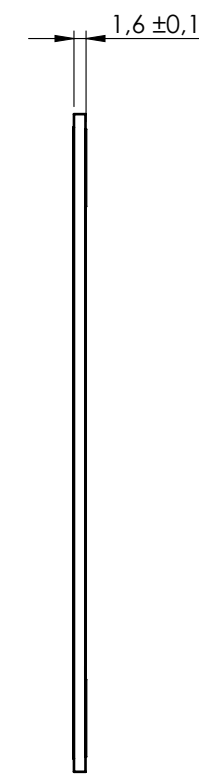
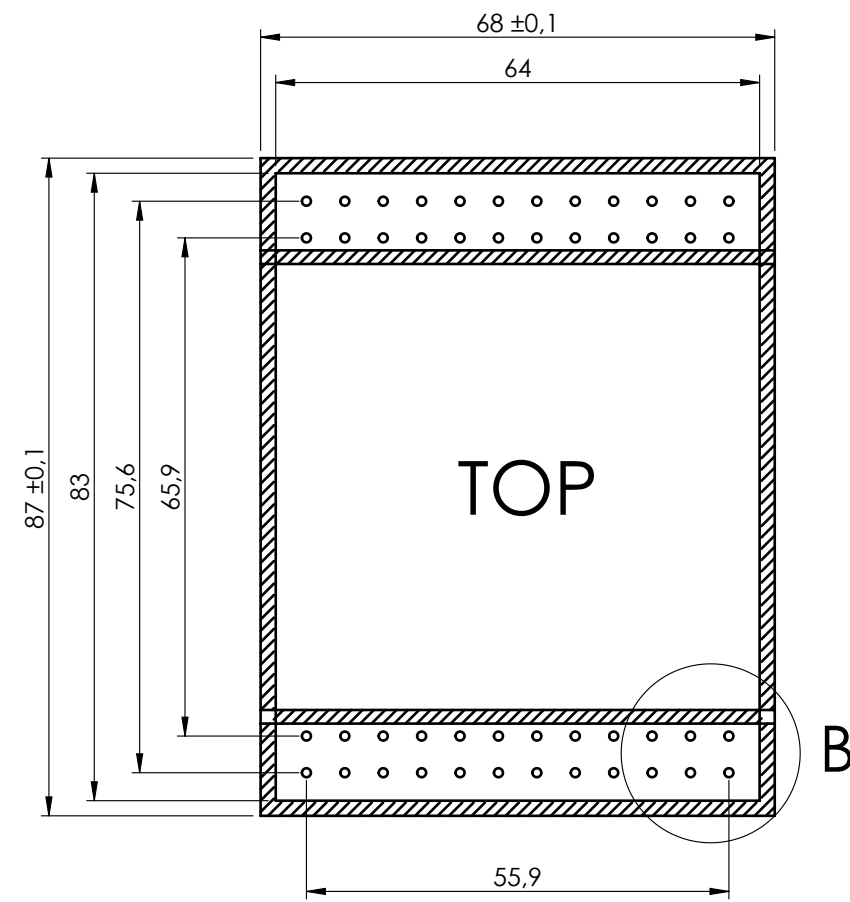


RIF.	Q.TY	DRAWING	DESCRIPTION
1	1	2_250_00181	BASE MODULBOX ONE 4M
2	1	2_250_03700	BODY ENCLOSURE MODULBOX 4MC53
3	1	2_250_00079	HOOK FOR MODULBOX ONE

General Tolerance UNI EN 22768/1 Media (m)					Sheet:
from 0.5 to 3 ± 0.1	from 3 to 6 ± 0.1	from 6 to 30 ± 0.2	from 30 to 120 ± 0.3	from 120 to 400 ± 0.5	1
Scale:	Drawn:	Checked:	Date:	Material:	Process:
1:1	M.S.	R.N.	21/07/2023		
Dimension in mm	<small>This present drawing cannot be reproduced or communicated to 3rd parties, even partially, without the authorization of ITALTRONIC. All Italian patents reserved to protect its own rights according to the law.</small>			Weight:	Cod. Mold:
				gr	--
<b>italtronic</b> enclosures for electronics <a href="http://italtronic.com">italtronic.com</a>				Description: KIT CONTENITORE MODULBOX ONE 4MC53 KIT ENCLOSURE MODULBOX ONE 4MC53 Drawing nr.: <b>3_250_00152</b>	
				Rev.:	A2
				00	

PCB A

Max height of the terminal:  
Modulbox ONE: 20 mm



*\*To use the PLUG-IN terminals in Modulbox ONE use plug-in adapter P05000003E (5/5.08 pitch) and P05000004E (7.5/7.62 pitch)*

NO COMPONENTS AREA

General Tolerance UNI EN 22768/1 Media (m)					Sheet:
from 0.5 to 3 ± 0.1	from 3 to 6 ± 0.1	from 6 to 30 ± 0.2	from 30 to 120 ± 0.3	from 120 to 400 ± 0.5	PCB
Scale: 1:1	Drawn: M.S.	Checked: R.N.	Date: 21/07/2023	Material:	Process:
<small>The present drawing cannot be reproduced or communicated to third parties, even partially, without the authorization of Italtronic. Italtronic reserves the right to protect its copyrights according to the law.</small>				Weight: gr	Cod. Mold: --
 enclosures for electronics italtronic.com		Description: KIT CONTENITORE MODULBOX ONE 4MC53 KIT ENCLOSURE MODULBOX ONE 4MC53			Rev.: 00
Drawing nr.: <b>3_250_00152</b>				A2	