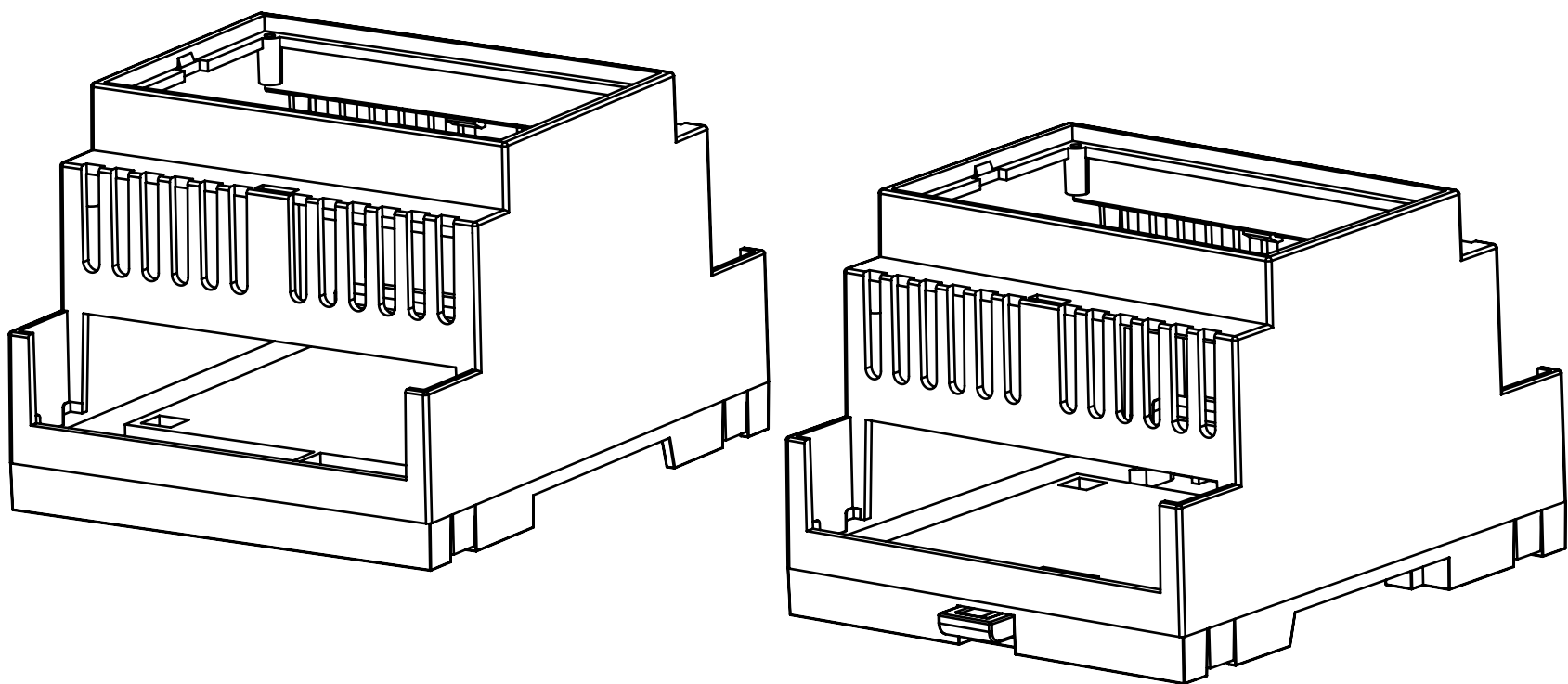
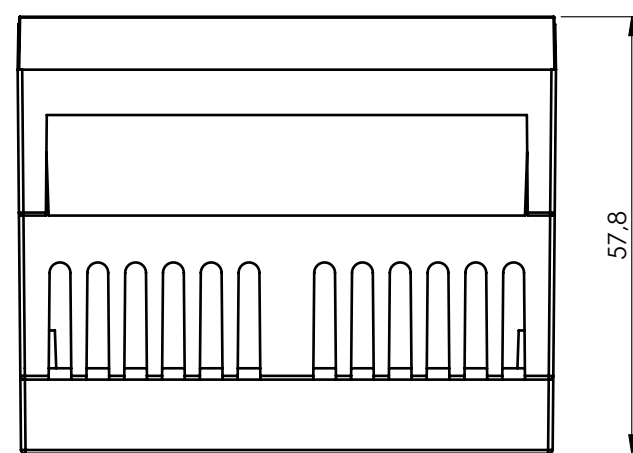
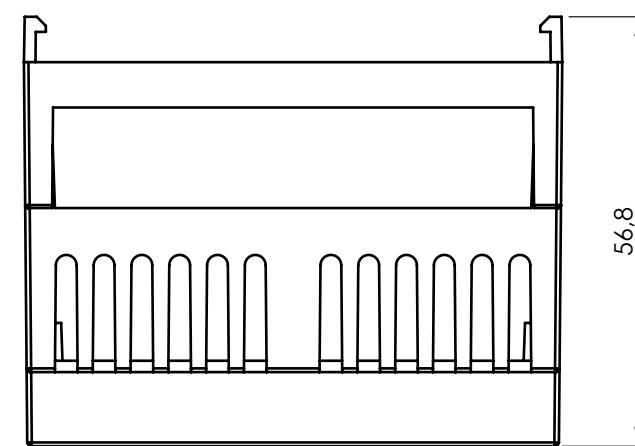
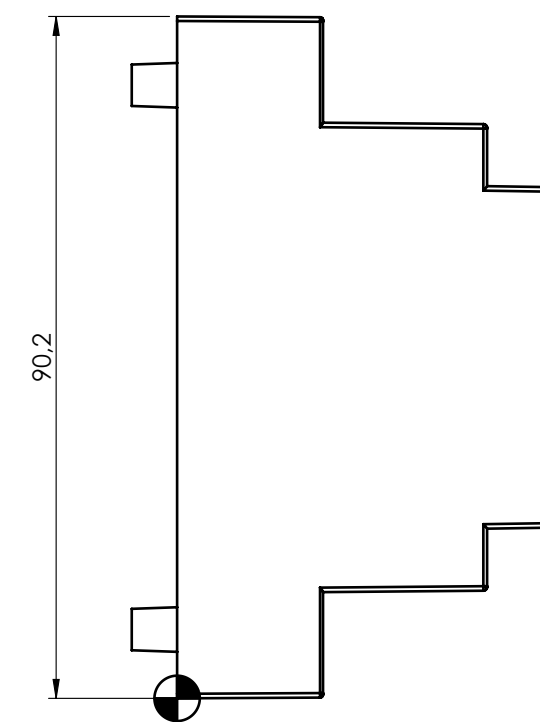
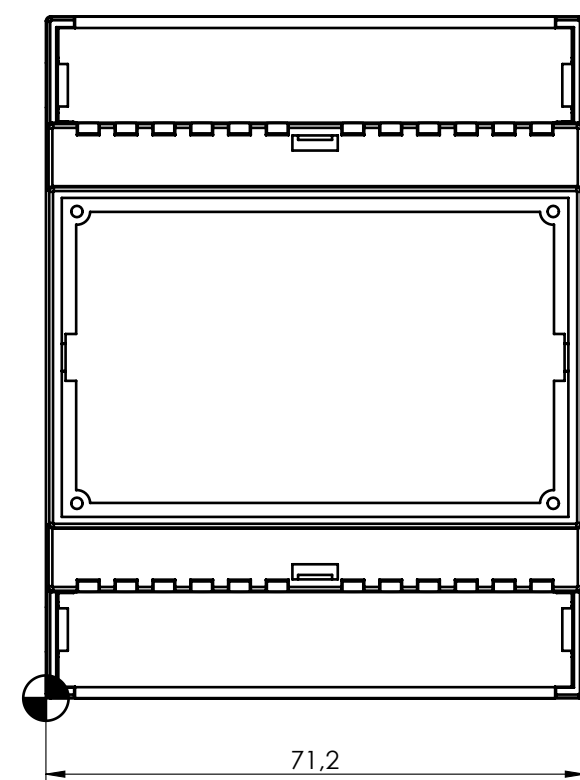


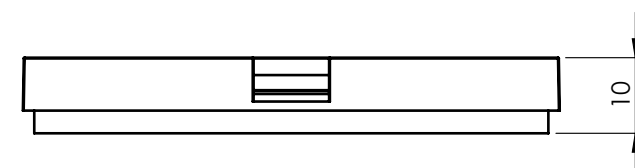
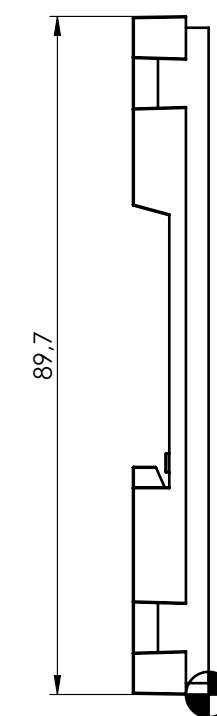
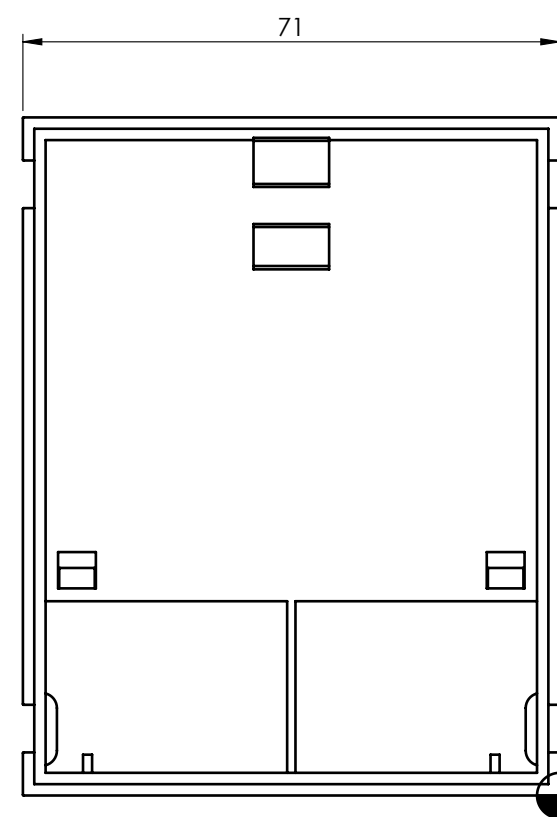
SECTION A-A



BODY ENCLOSURE

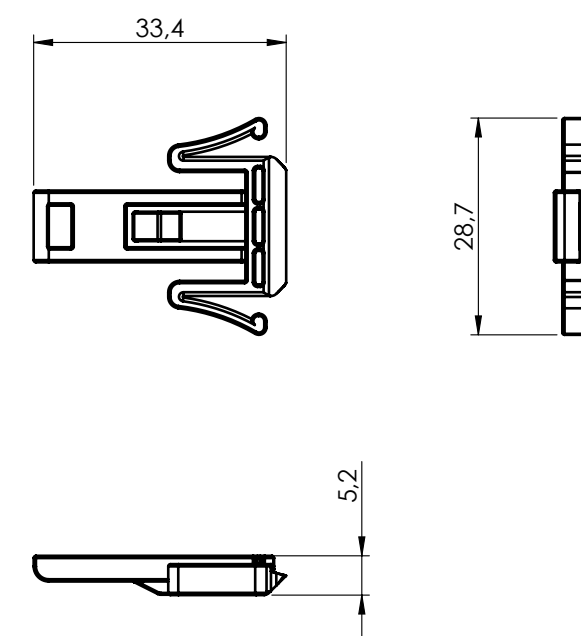


BASE



- General information:
- Workpiece zero point for mechanical processing
 - Minimum recommended radius for machining = R1.0 mm
 - Mounting rail like EN 60715: TH 35-7.5 or TH 35-15
 - Recommended PCB outline on www.italtronic.com

HOOK

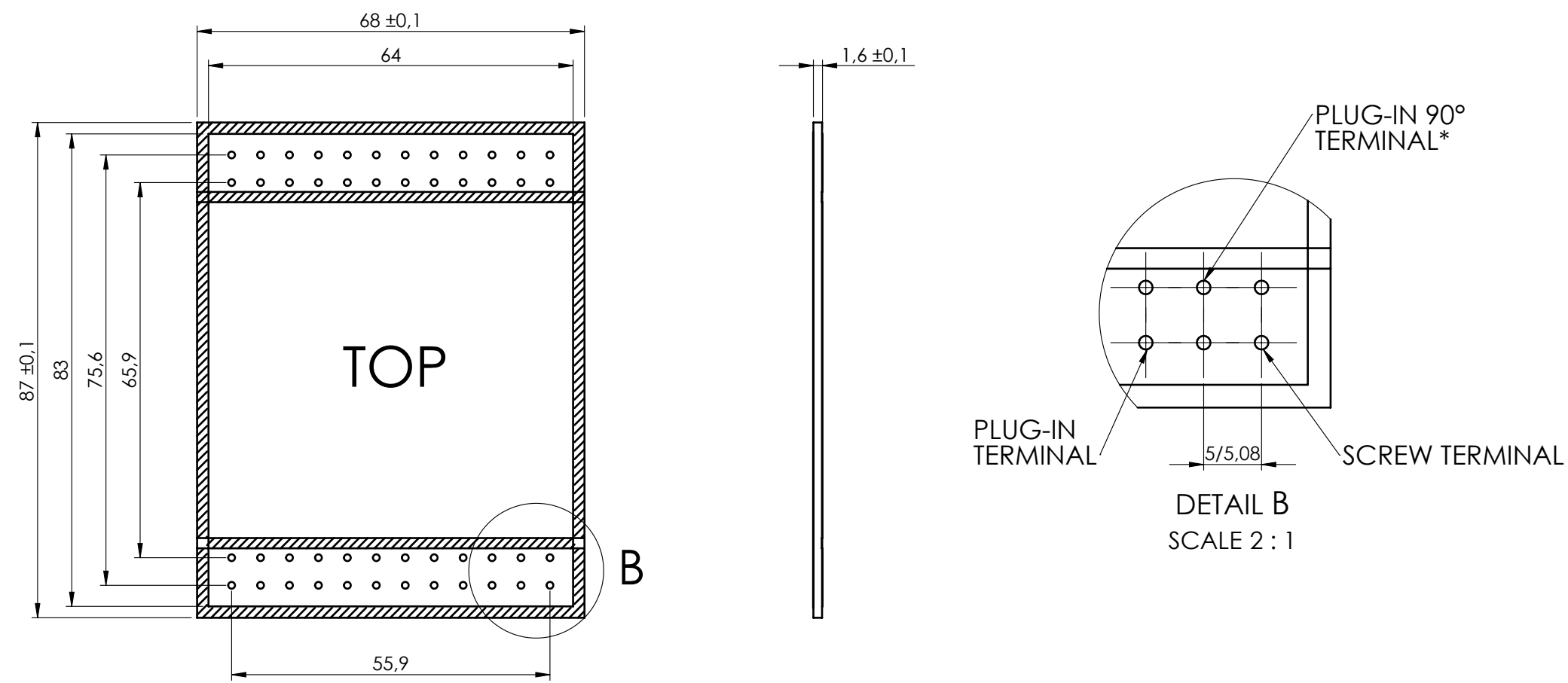


RIF.	Q.TY	DRAWING	DESCRIPTION
1	1	2_250_00181	BASE MODULBOX ONE 4M
2	1	2_250_00079	HOOK FOR MODULBOX ONE
3	1	2_250_03813	BODY ENCLOSURE MODULBOX ONE WITH VENTS 4MH53V

General Tolerance UNI EN 22768/1 Media (m)					Sheet:
from 0.5 to 3	from 3 to 6	from 6 to 30	from 30 to 120	from 120 to 400	1
± 0.1	± 0.1	± 0.2	± 0.3	± 0.5	
Scale:	Drawn:	Checked:	Date:	Material:	Process:
1:1	M.S.	R.N.	24/07/2023		
Dimension in mm	Derived from:	Weight:	Cod. Mold:		
		gr	--		
italtronic enclosures for electronics italtronic.com				Description: KIT CONTENITORE MODULBOX ONE 4MH53V KIT ENCLOSURE MODULBOX ONE 4MH53V Drawing nr.: 3_250_00158	
				Rev.:	A2
				-	

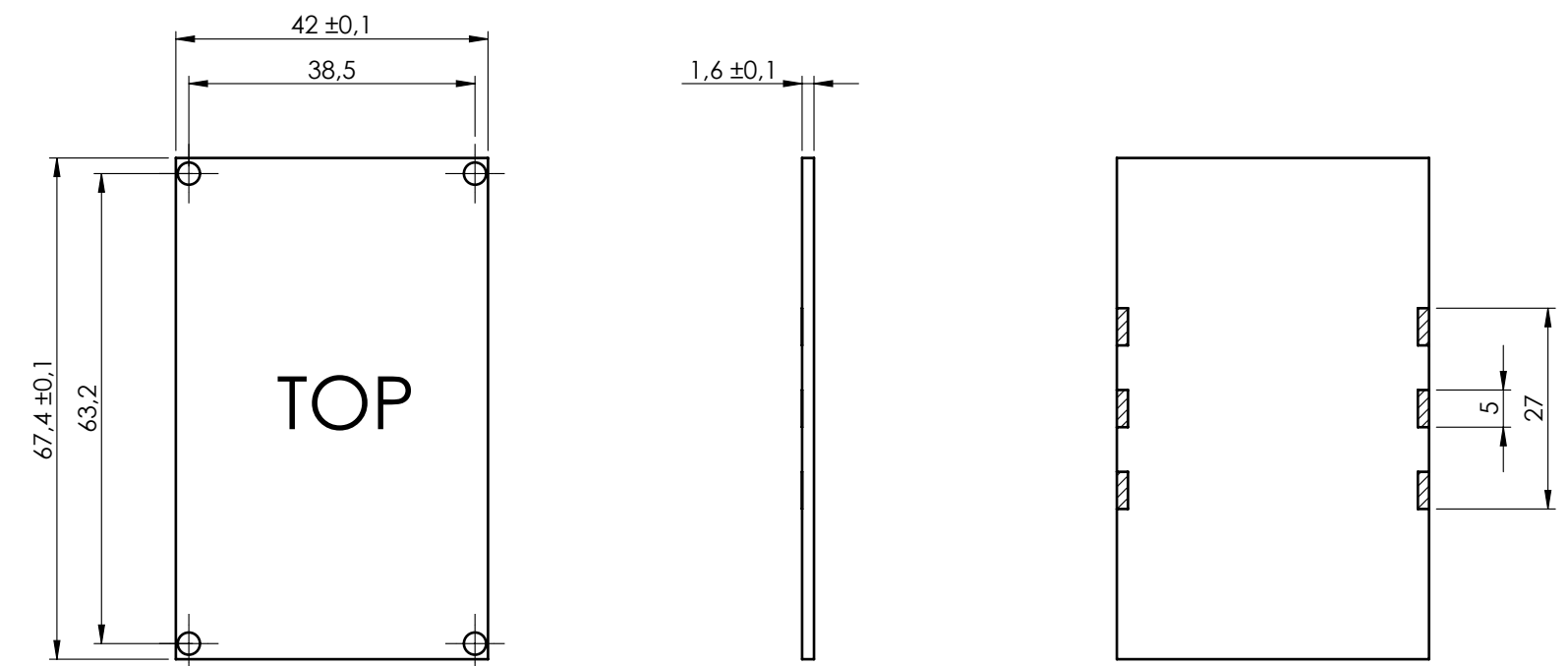
Max height of the terminal:
Modulbox ONE: 20 mm

PCB A

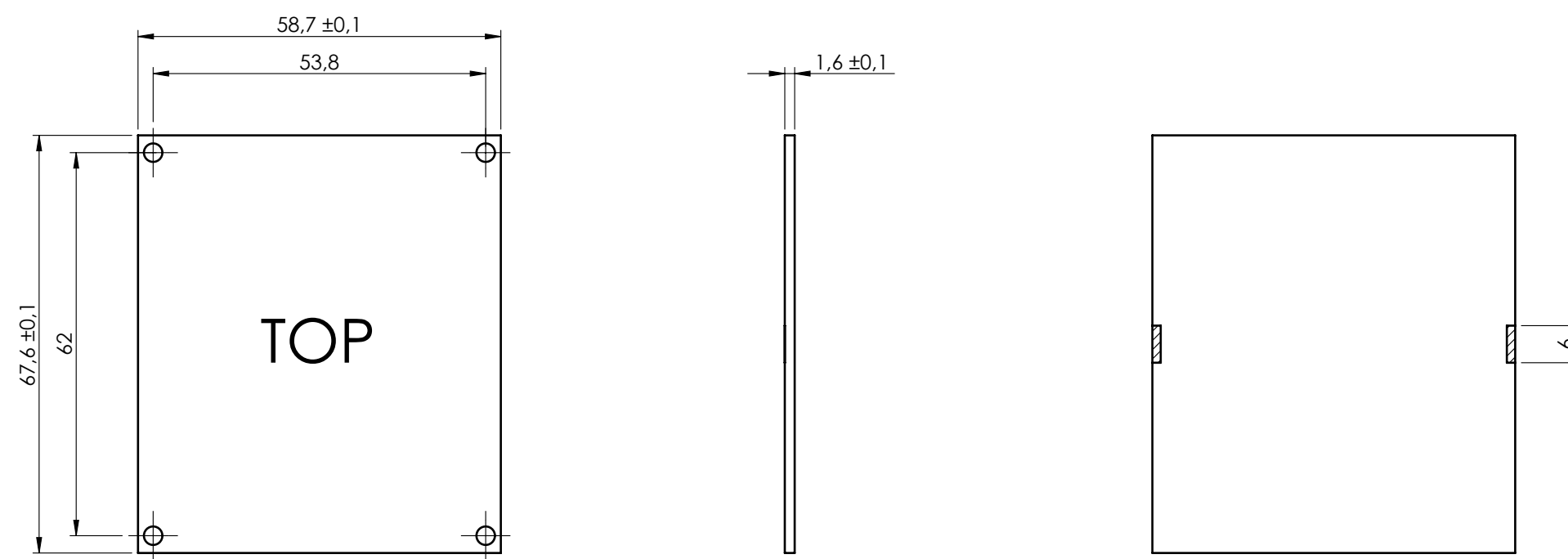


**To use the PLUG-IN terminals in Modulbox ONE use plug-in adapter P05000003E (5/5.08 pitch) and P05000004E (7.5/7.62 pitch)*

PCB C



PCB B



General Tolerance UNI EN 22768/1 Media (m)					Sheet:
from 0.5 to 3 ± 0.1	from 3 to 6 ± 0.1	from 6 to 30 ± 0.2	from 30 to 120 ± 0.3	from 120 to 400 ± 0.5	PCB
Scale:	Drawn:	Checked:	Date:	Material:	Process:
1:1	M.S.	R.N.	24/07/2023		
Description:				Weight:	Cod. Mold:
KIT CONTENITORE MODULBOX ONE 4MH53V KIT ENCLOSURE MODULBOX ONE 4MH53V				gr	--
Drawing nr.:				Rev.:	A2
3_250_00158				-	

NO COMPONENTS AREA

