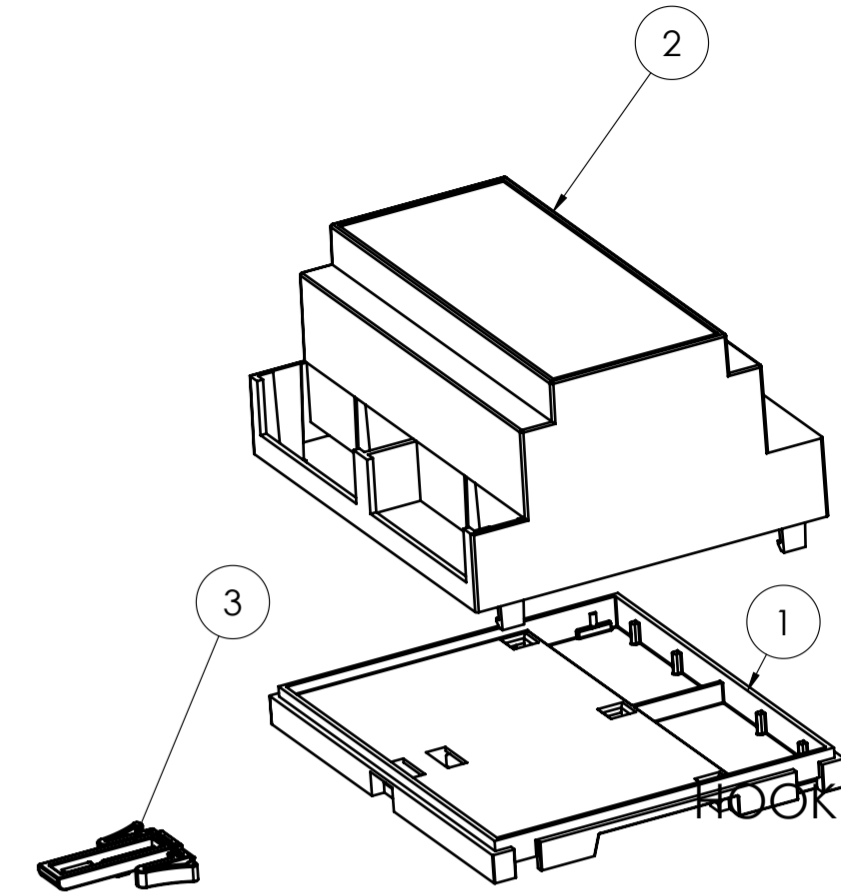
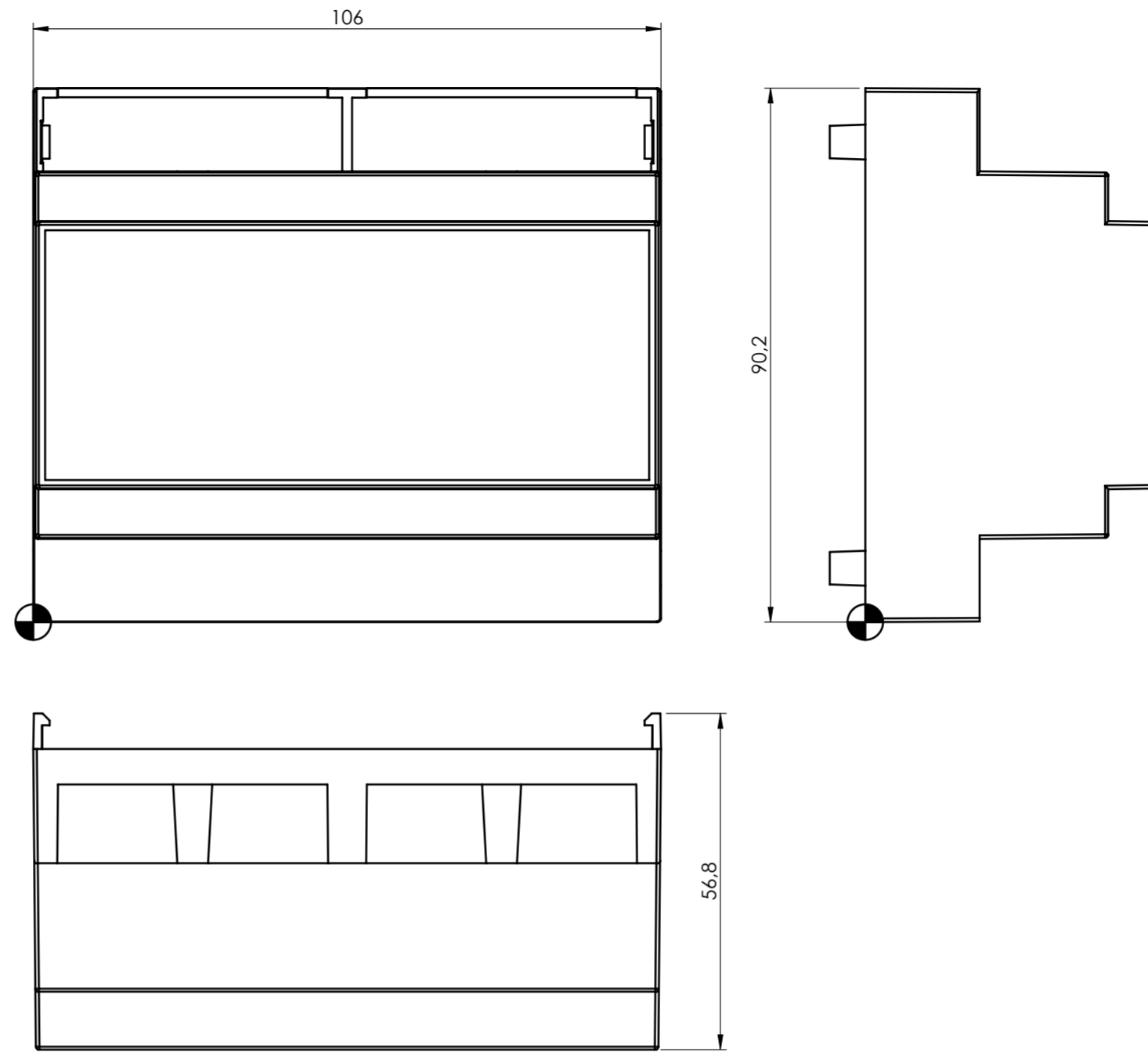
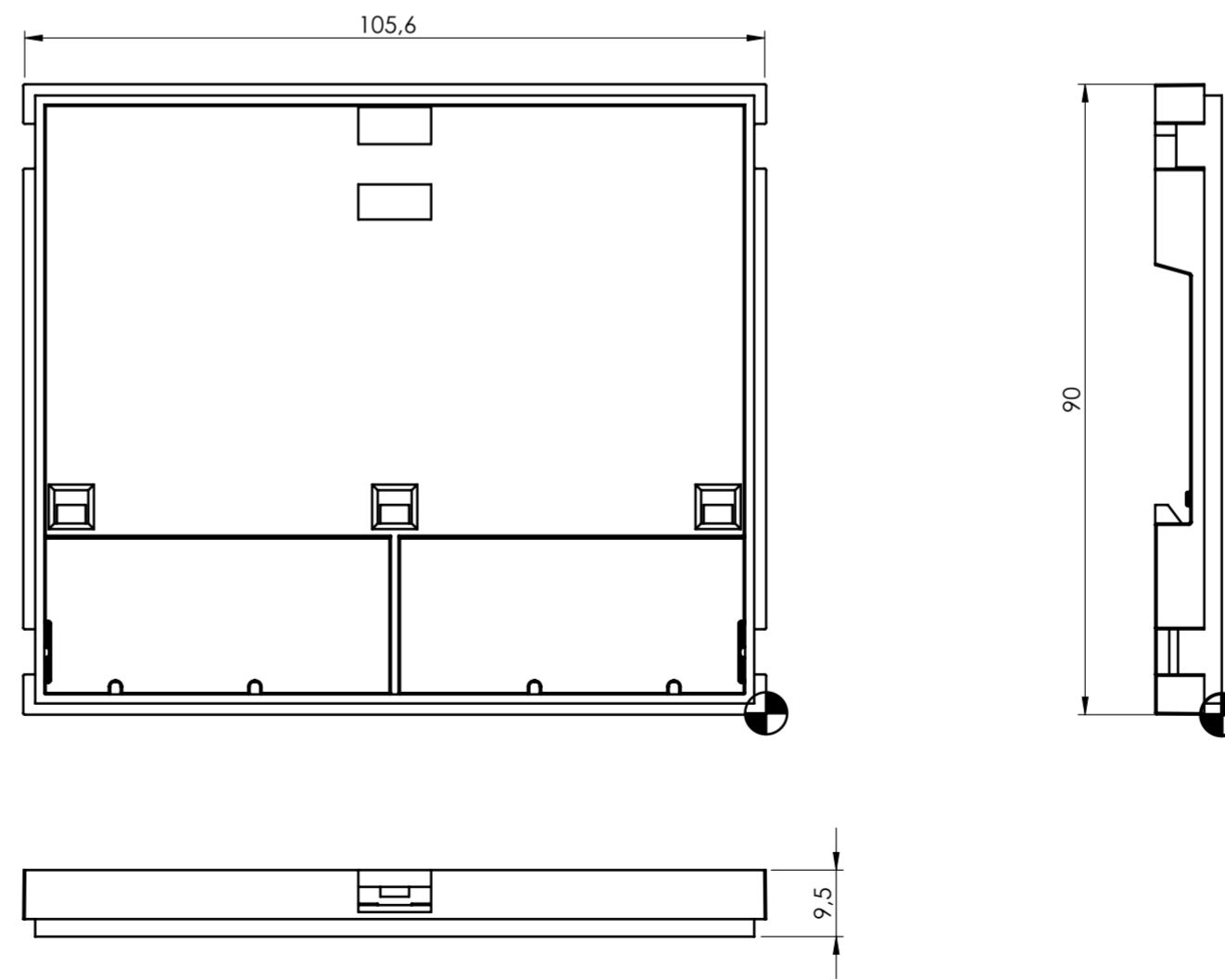


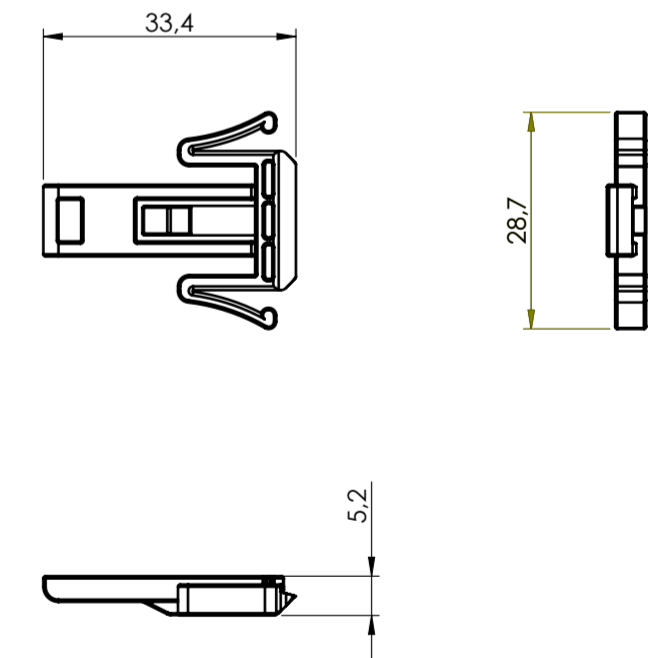
BODY ENCLOSURE



BASE



HOOK



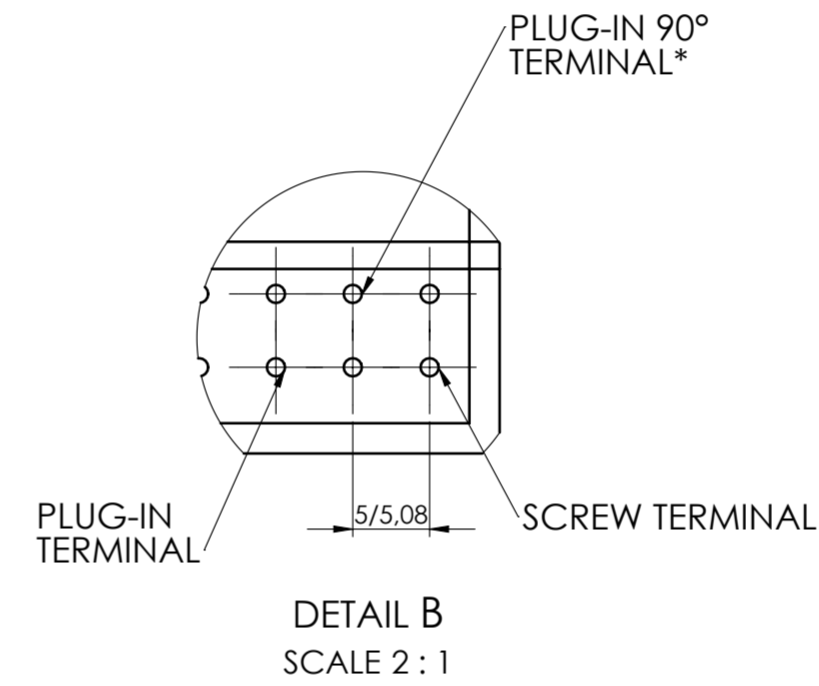
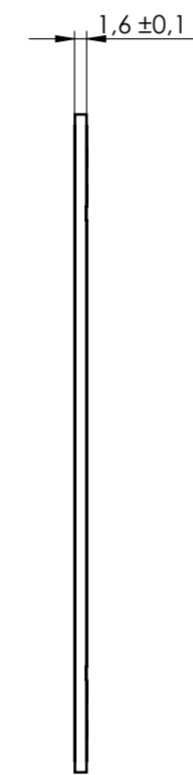
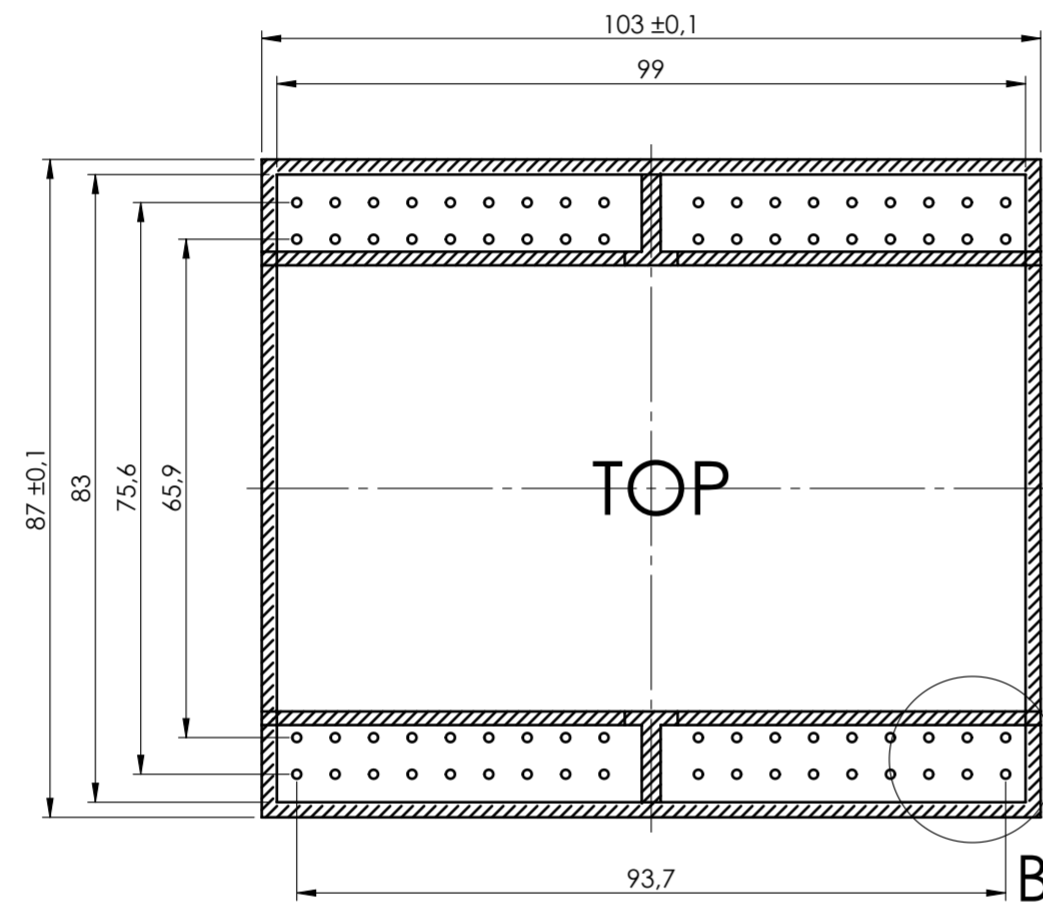
- General information:
- Workpiece zero point for mechanical processing
 - Minimum recommended radius for machining = R1.0 mm
 - Mounting rail like EN 60715: TH 35-7.5 or TH 35-15
 - Recommended PCB outline on www.italtronic.com

RIF.	Q.TY	DRAWING	DESCRIPTION
1	1	2_250_00147	BASE MODULBOX ONE 6M
2	1	2_250_00189	BODY ENCLOSURE MODULBOX ONE 6MC53
3	1	2_250_00079	HOOK FOR MODULBOX ONE

General Tolerance UNI EN 22768/1 Media (m)						Sheet:
from 0.5 to 3	from 3 to 6	from 6 to 30	from 30 to 120	from 120 to 400		1
± 0.1	± 0.1	± 0.2	± 0.3	± 0.5		
Scale:	IM:	Drawn:	Checked:	Date:	Material:	Process:
1:1	--	M.S.	R.N.	25/07/2023		
Dimension in mm		Replaces the:		Derived from:	Weight:	Cod. Mold:
		M-04826-00		--	gr	--
italtronic enclosures for electronics italtronic.com						Description: KIT CONTENITORE MODULBOX ONE 6MC53 KIT ENCLOSURE MODULBOX ONE 6MC53 Drawing nr.: 3_250_00164
						Rev.: 00
						A2

PCB A

Max height of the terminal:
Modulbox ONE: 20 mm



**To use the PLUG-IN terminals in Modulbox ONE use plug-in adapter P05000003E (5/5.08 pitch) and P05000004E (7.5/7.62 pitch)*

NO COMPONENTS AREA

General Tolerance UNI EN 22768/1 Media (m)						Sheet:
from 0.5 to 3 ± 0.1	from 3 to 6 ± 0.1	from 6 to 30 ± 0.2	from 30 to 120 ± 0.3	from 120 to 400 ± 0.5		PCB
Scale:	IM:	Drawn:	Checked:	Date:	Material:	Process:
1:1	--	M.S.	R.N.	25/07/2023		
	The present drawing cannot be reproduced or communicated to 3rd parties, even partially, without the authorization of Italtronic. Italtronic reserves the right to modify the drawings according to the law.		Replaces the:	Derived from:	Weight:	Cod. Mold:
Dimension in mm			M-04826-00	--	gr	--
		Description:				
enclosures for electronics		KIT CONTENITORE MODULBOX ONE 6MC53				
italtronic.com		KIT ENCLOSURE MODULBOX ONE 6MC53				
Drawing nr.:		3_250_00164		Rev.:	00	A2