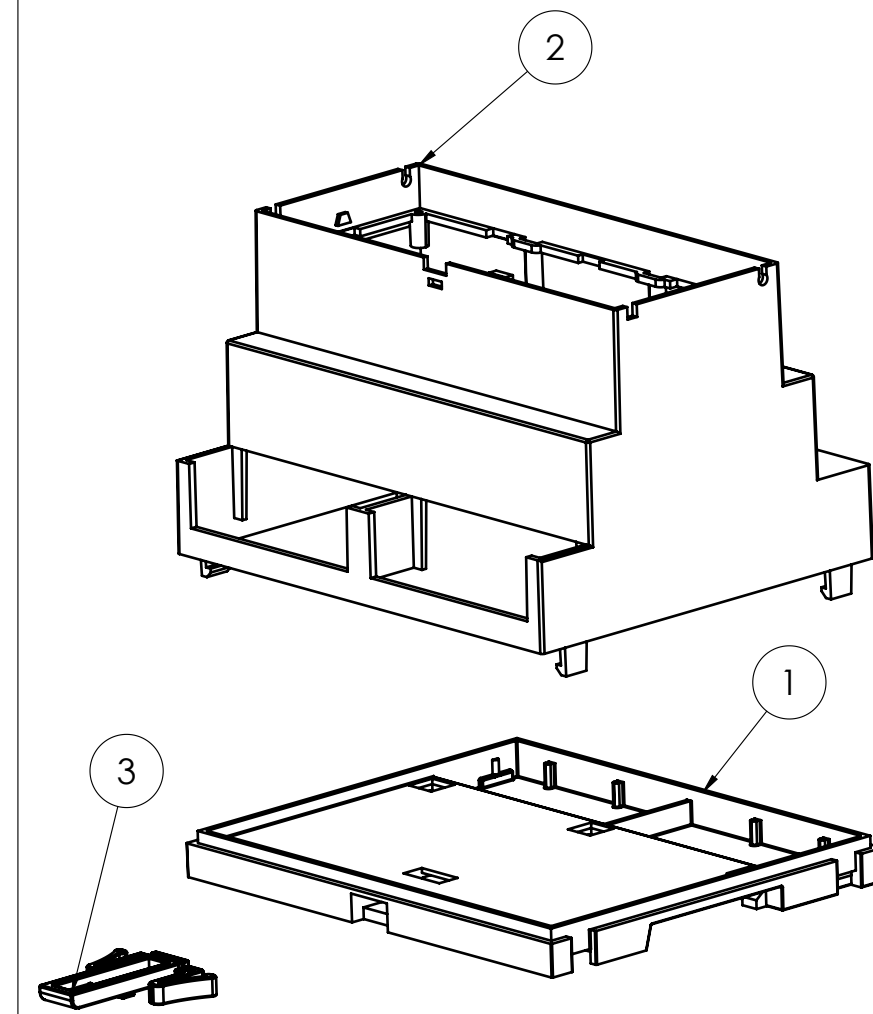
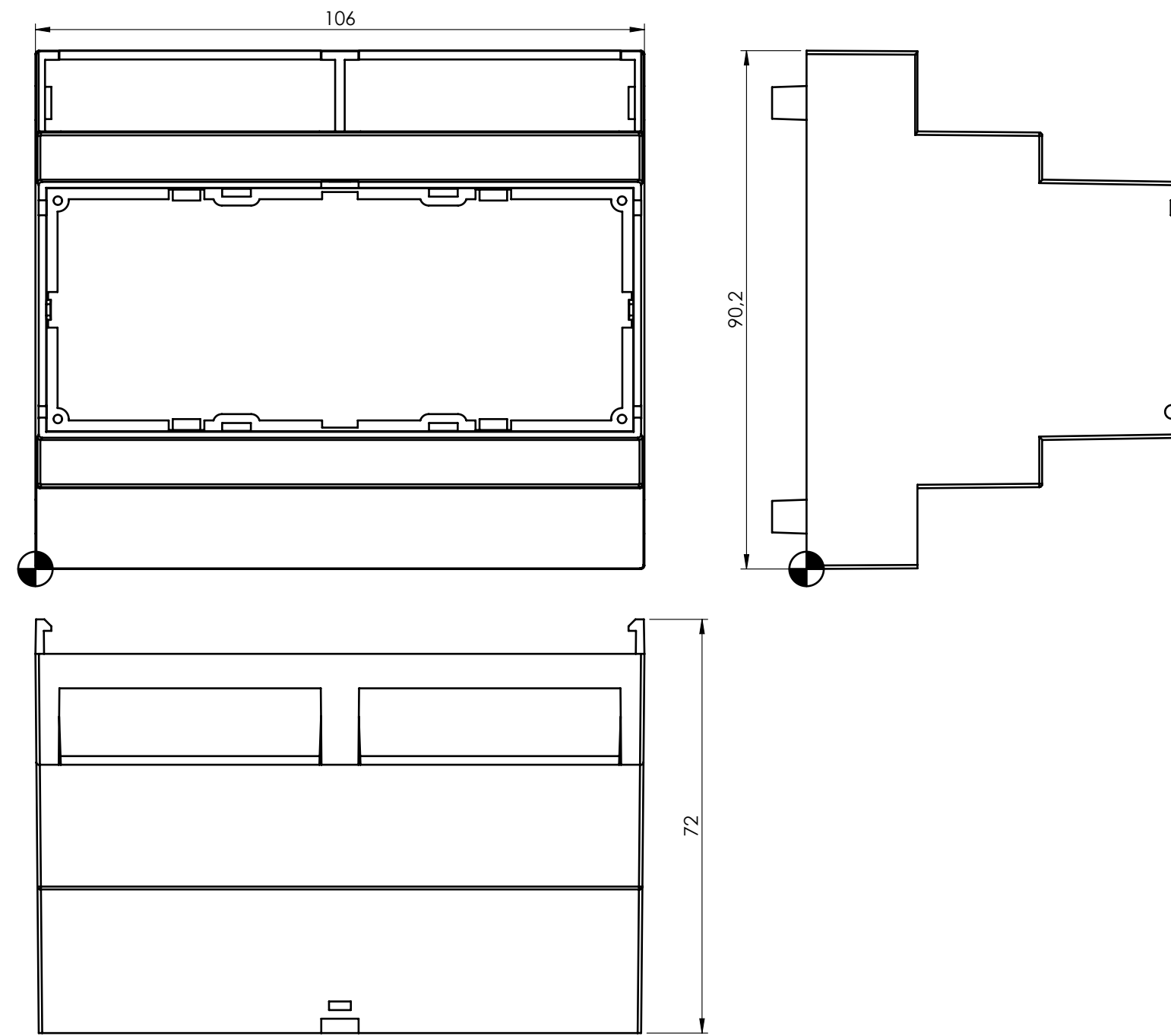
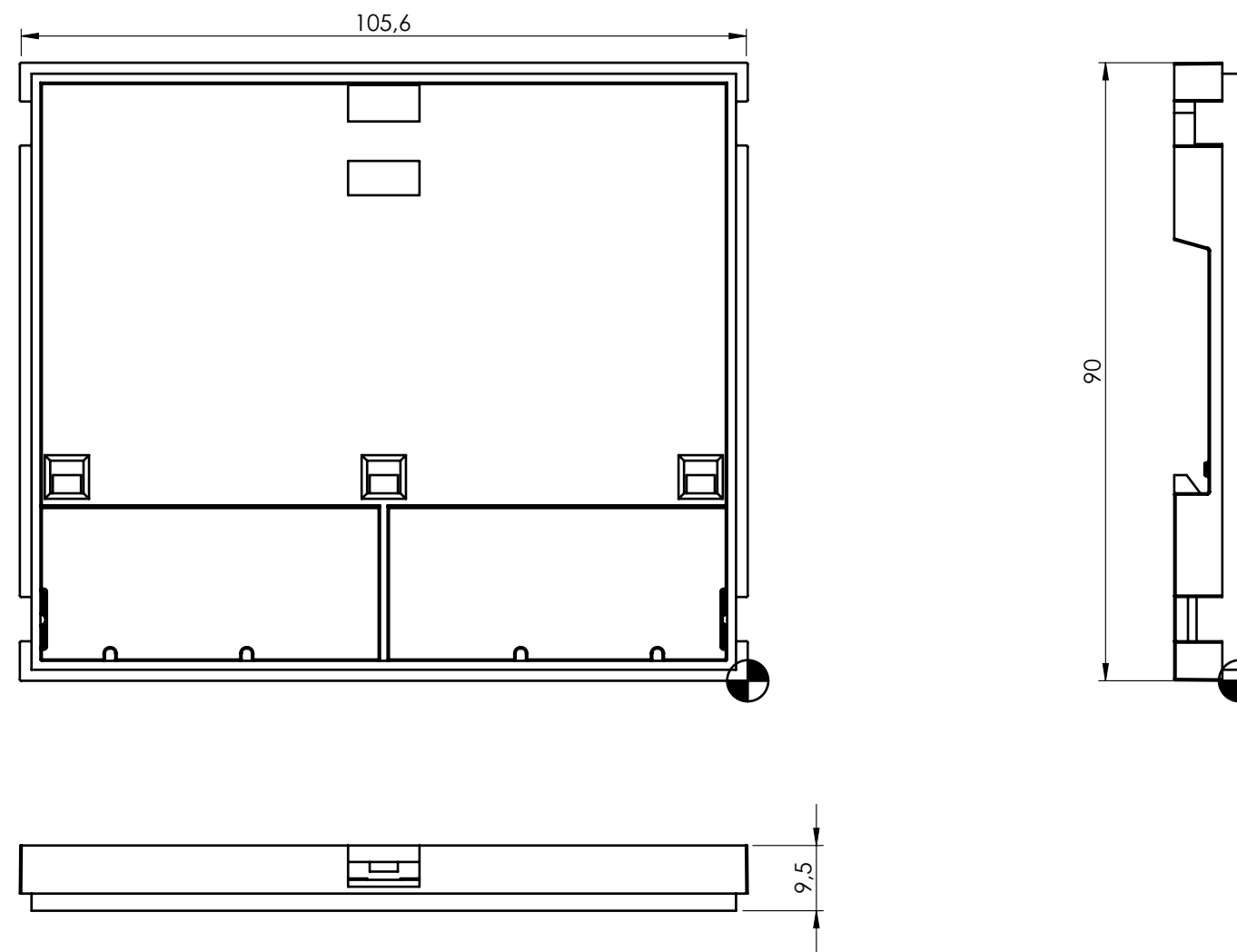


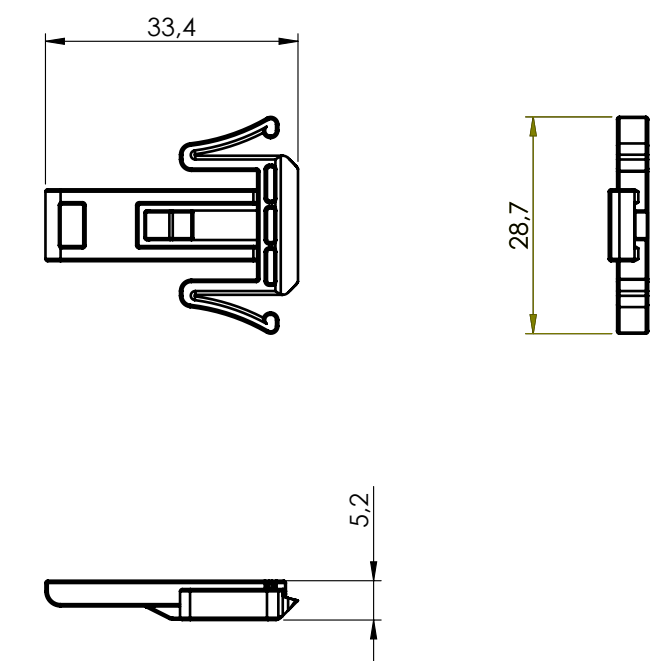
### BODY ENCLOSURE



### BASE



### HOOK



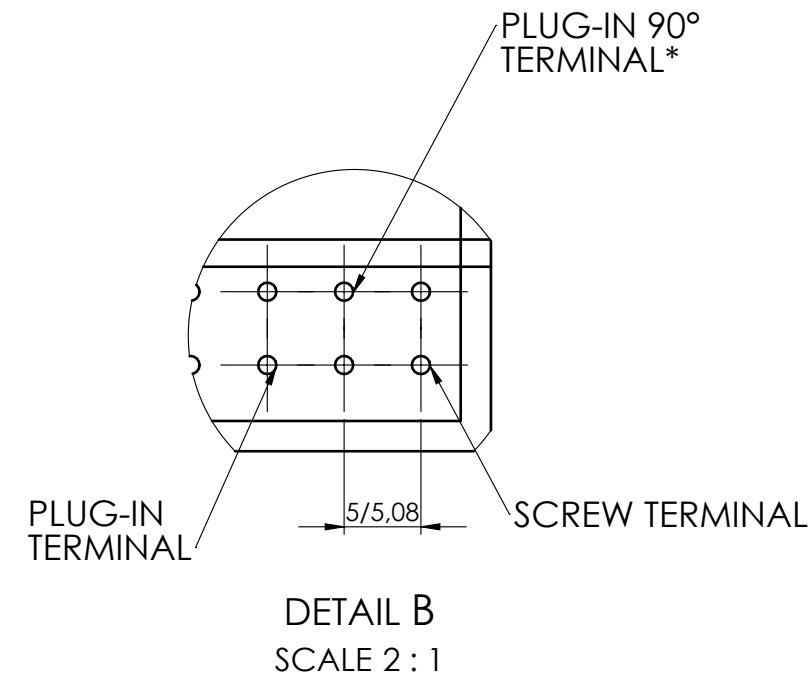
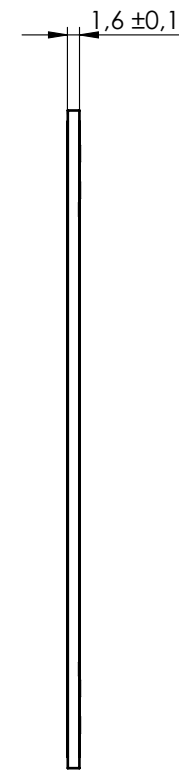
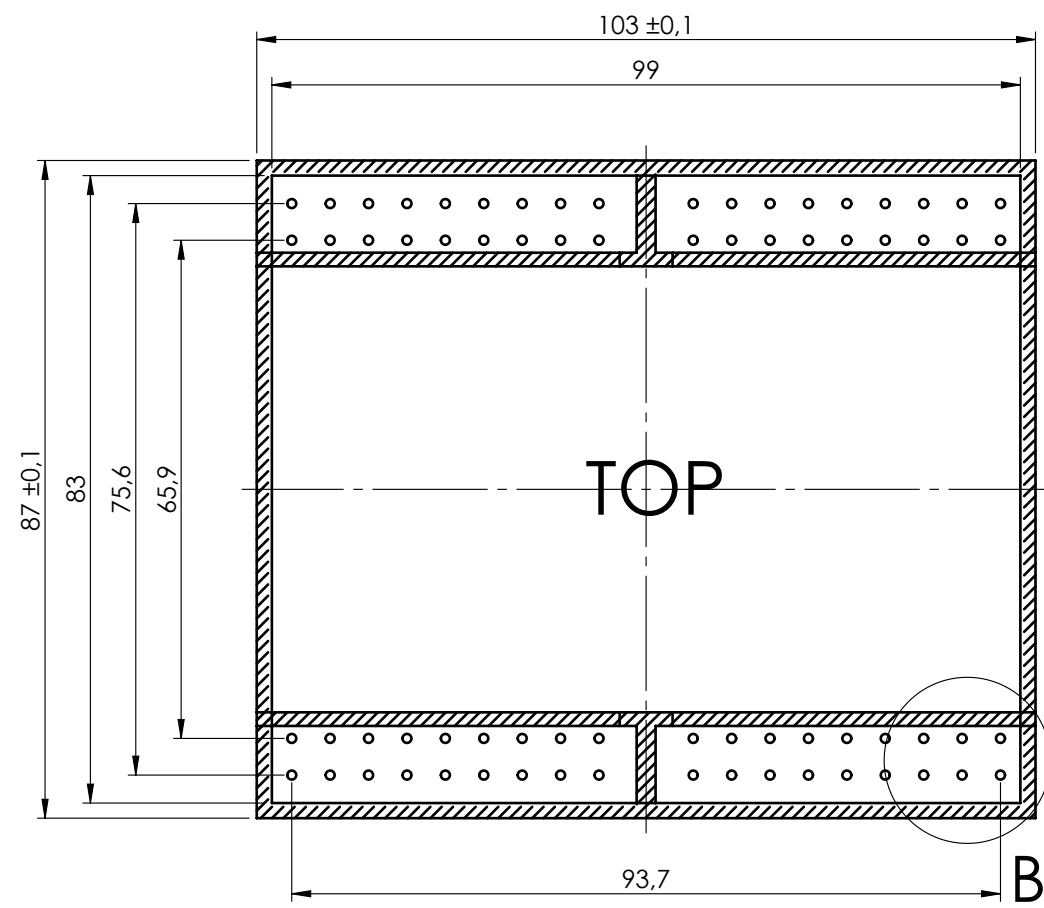
General information:  
 - Workpiece zero point for mechanical processing  
 - Minimum recommended radius for machining = R1.0 mm  
 - Mounting rail like EN 60715: TH 35-7.5 or TH 35-15  
 - Recommended PCB outline on [www.italtronic.com](http://www.italtronic.com)

RIF.	Q.TY	DRAWING	DESCRIPTION
1	1	2_250_00147	BASE MODULBOX ONE 6M
2	1	2_250_00190	BODY ENCLOSURE MODULBOX ONE 6MH68
3	1	2_250_00079	HOOK FOR MODULBOX ONE

General Tolerance UNI EN 22768/1 Media (m)						Sheet:
from 0.5 to 3	from 3 to 6	from 6 to 30	from 30 to 120	from 120 to 400		1
± 0.1	± 0.1	± 0.2	± 0.3	± 0.5		
Scale:	IM:	Drawn:	Checked:	Date:	Material:	Process:
1:1	--	M.S.	R.N.	25/07/2023		
Dimension in mm		Replaces the:		Derived from:	Weight:	Cod. Mold:
		M-06600-00		--	gr	--
 enclosures for electronics italtronic.com		Description:		Cod. Mold:		Rev.:
		KIT CONTENITORE MODULBOX ONE 6MH68				-
		KIT ENCLOSURE MODULBOX ONE 6MH68				A2
		Drawing nr.:				
		3_250_00166				

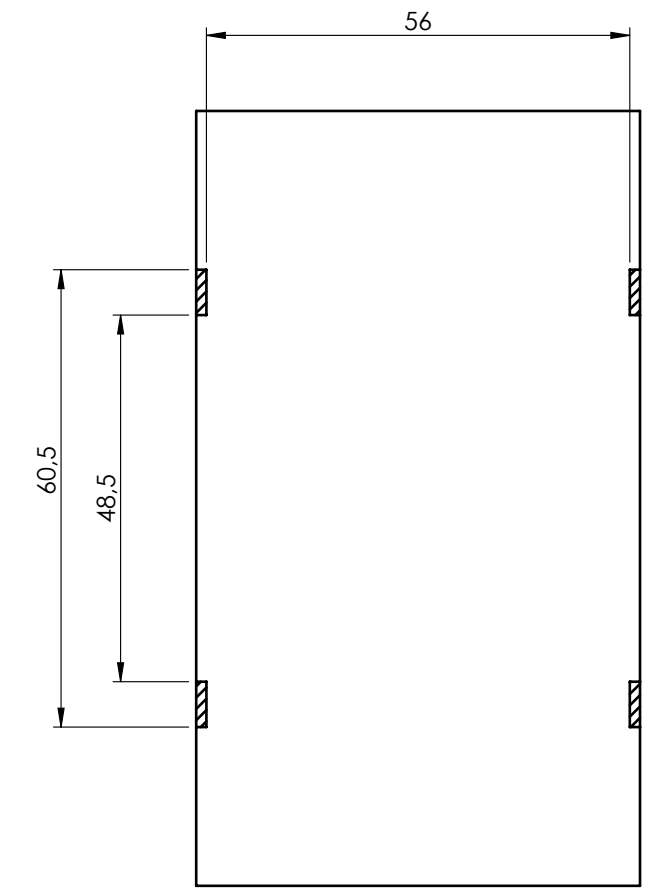
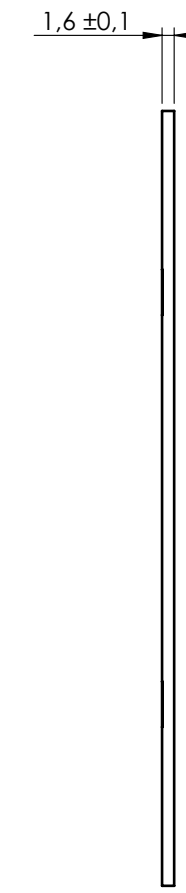
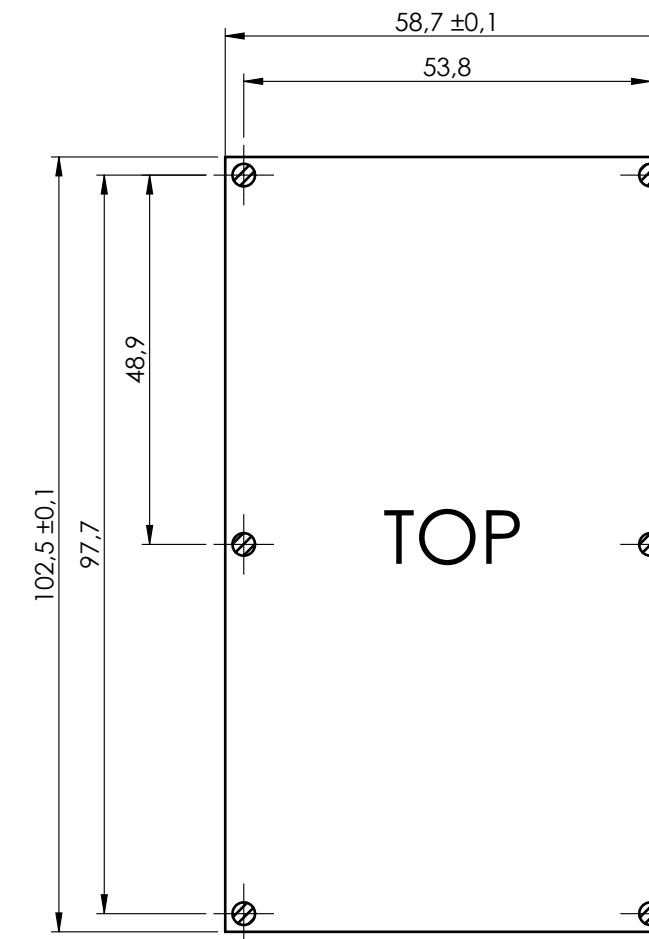
# PCB A

Max height of the terminal:  
Modulbox ONE: 20 mm

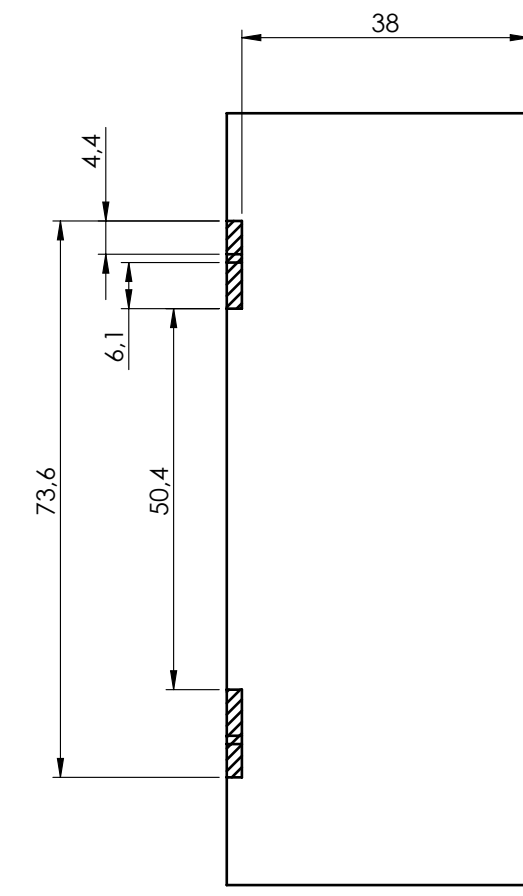
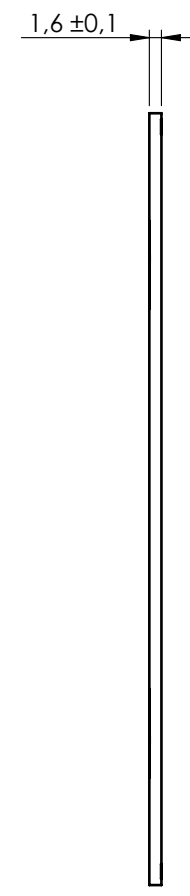
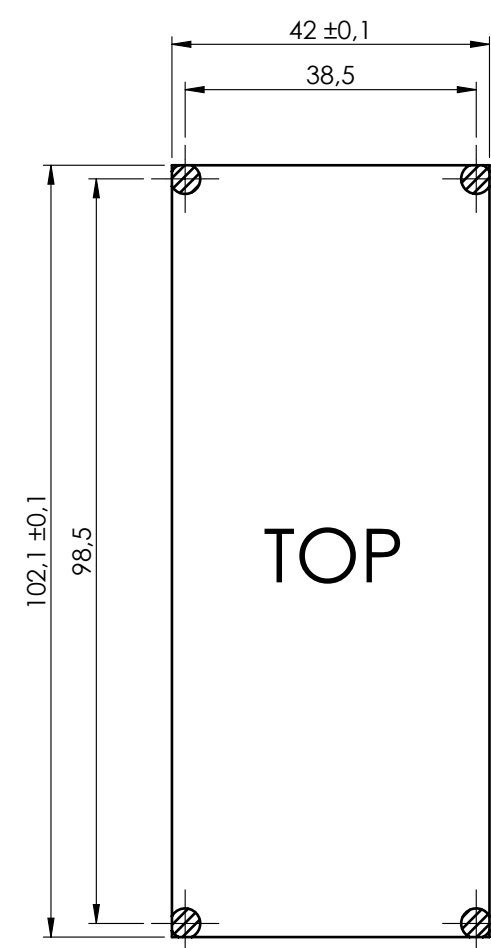


\*To use the PLUG-IN terminals in Modulbox ONE use plug-in adapter P05000003E (5/5.08 pitch) and P05000004E (7.5/7.62 pitch)

# PCB B



# PCB C



General Tolerance UNI EN 22768/1 Media (m)						Sheet:
from 0.5 to 3 ± 0.1	from 3 to 6 ± 0.1	from 6 to 30 ± 0.2	from 30 to 120 ± 0.3	from 120 to 400 ± 0.5		PCB
Scale:	IM:	Drawn:	Checked:	Date:	Material:	Process:
1:1	--	M.S.	R.N.	25/07/2023		
Dimension in mm		Replaces the:		Derived from:	Weight:	Cod. Mold:
		M-06600-00		--	gr	--
 enclosures for electronics italtronic.com		Description: KIT CONTENITORE MODULBOX ONE 6MH68 KIT ENCLOSURE MODULBOX ONE 6MH68 Drawing nr.: <b>3_250_00166</b>				Rev.: - A2

NO COMPONENTS AREA