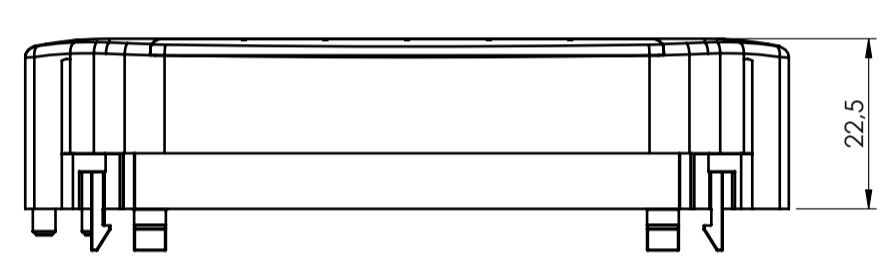
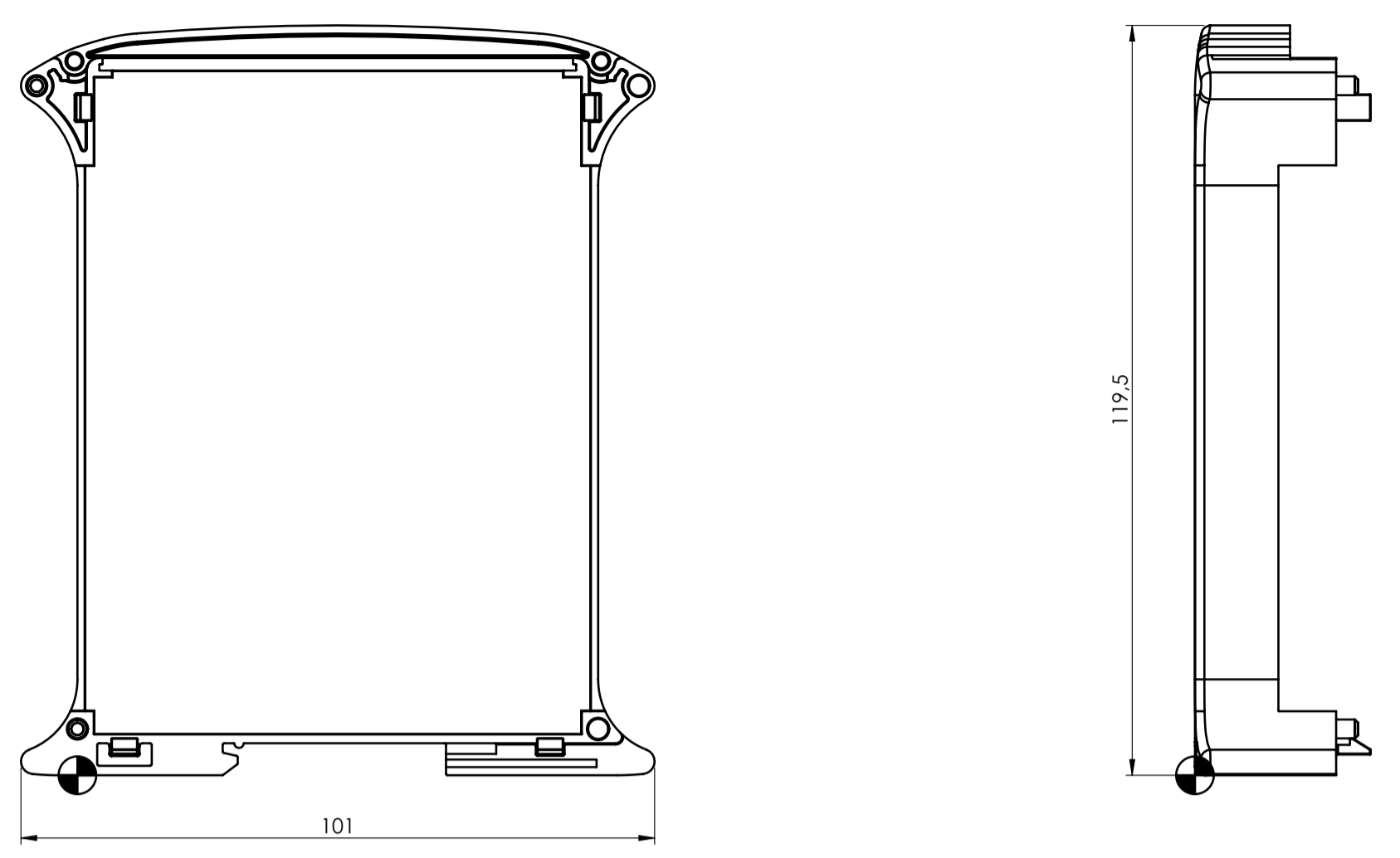
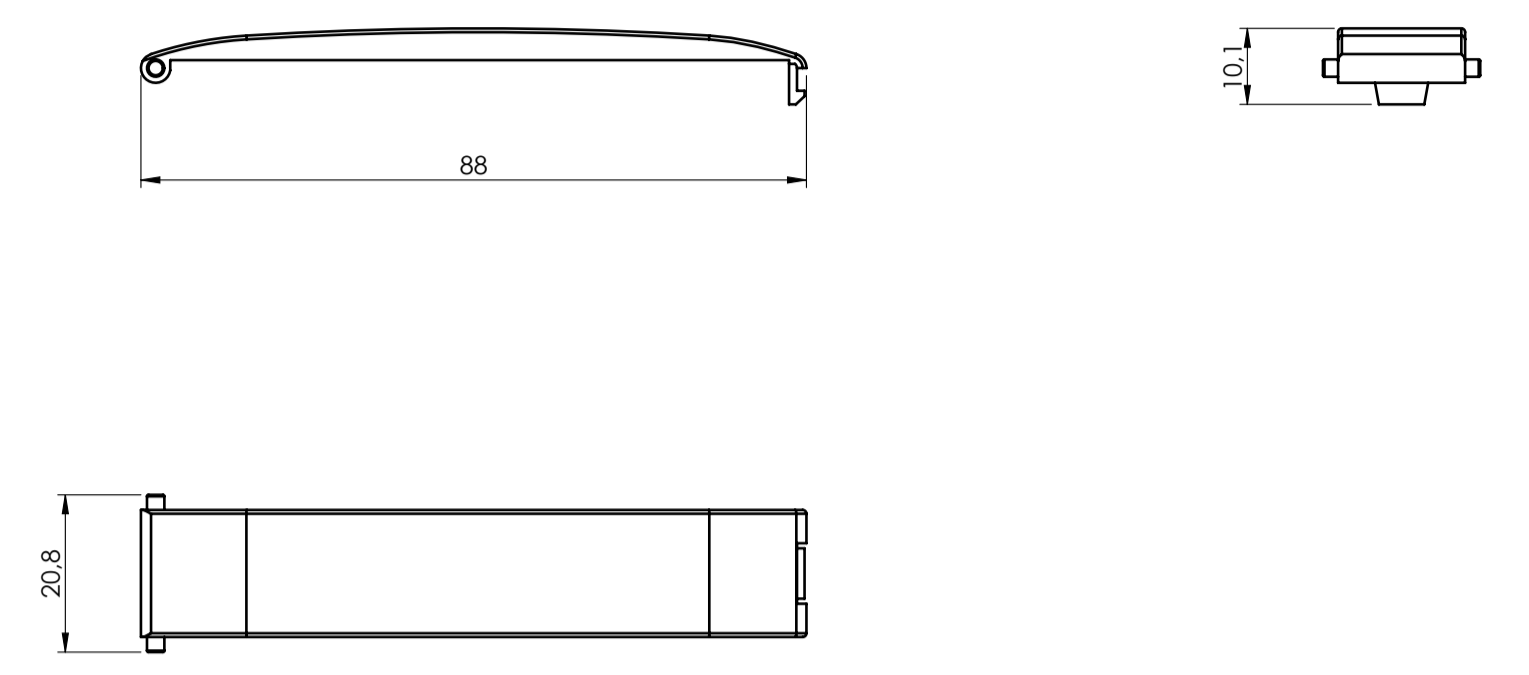


COVER RAILBOX



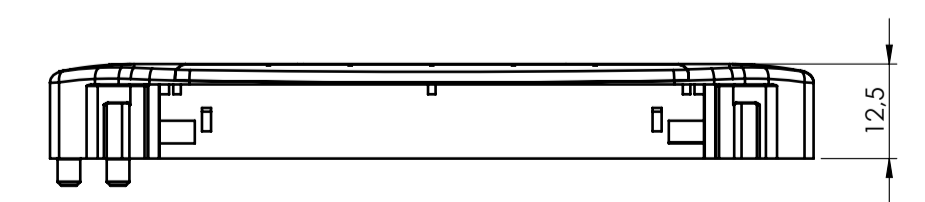
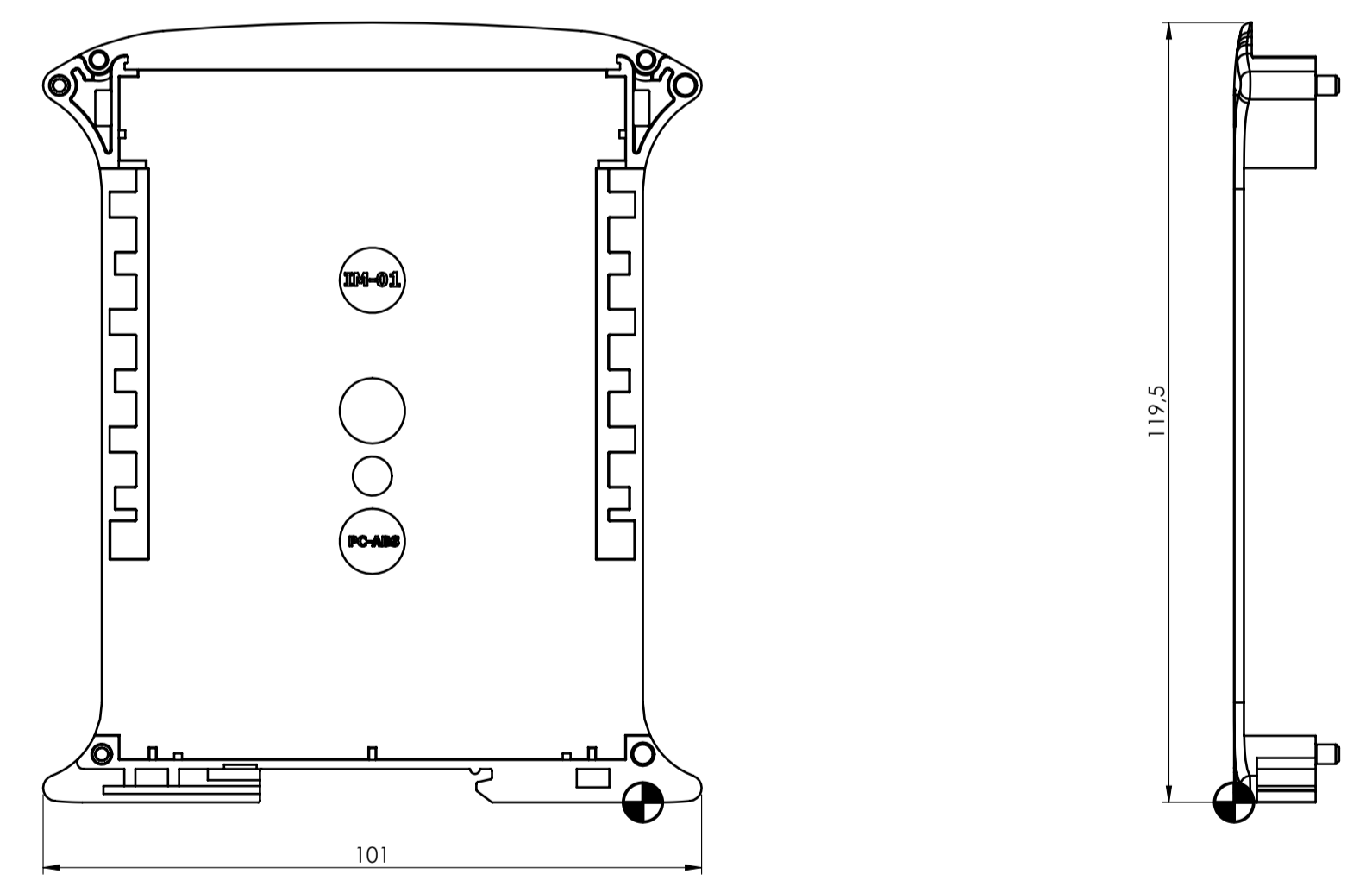
HINGED PANEL



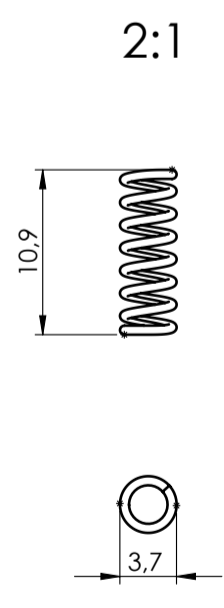
HOOK



BASE RAILBOX



SPRING



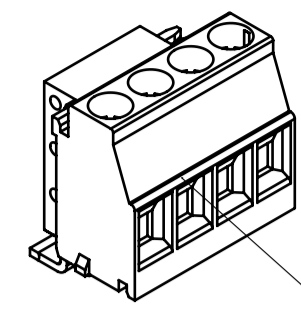
General information:
 ● Workpiece zero point for mechanical processing
 - Minimum recommended radius for machining = R1.0 mm
 - Mounting rail like EN 60715: TH 35-15
 - Recommended PCB outline on www.italtronic.com

REF.	Q.TY	DRAWING	DESCRIPTION
1	1	2_110_00032	HOOK RAILBOX
2	1	2_110_00033	BASE RAILBOX 12.5 MM 3L
3	1	2_110_00067	COVER MULTILEVEL RAILBOX PLUG&FIX 22.5 MM
4	1	2_110_00072	FRONT HINGED TRANSPARENT PANEL 17 MM
5	1	2_110_00011	SPRING FOR HOOK RAILBOX

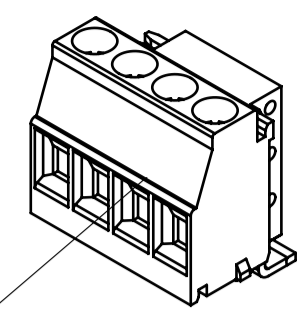
Scale:	Drawn:	Checked:	Date:	Material:	Process:
1:1	M.S.	R.N.	21/08/2023		

KIT CONTENITORE RAILBOX PLUG-FIX 35 MM
 KIT ENCLOSURE RAILBOX PLUG-FIX 35 MM
 Drawing n°: **3_110_00019**

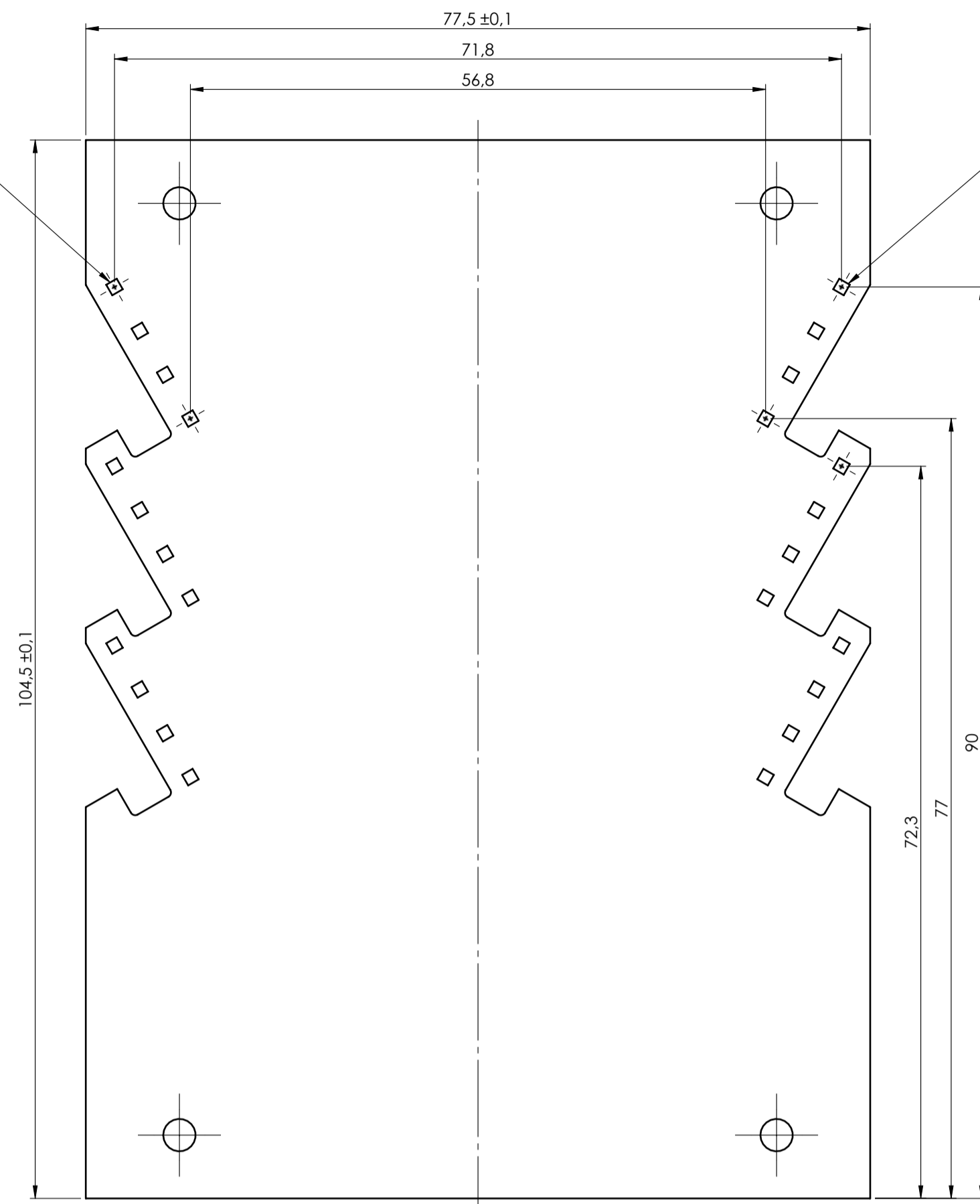
PCB V FIX



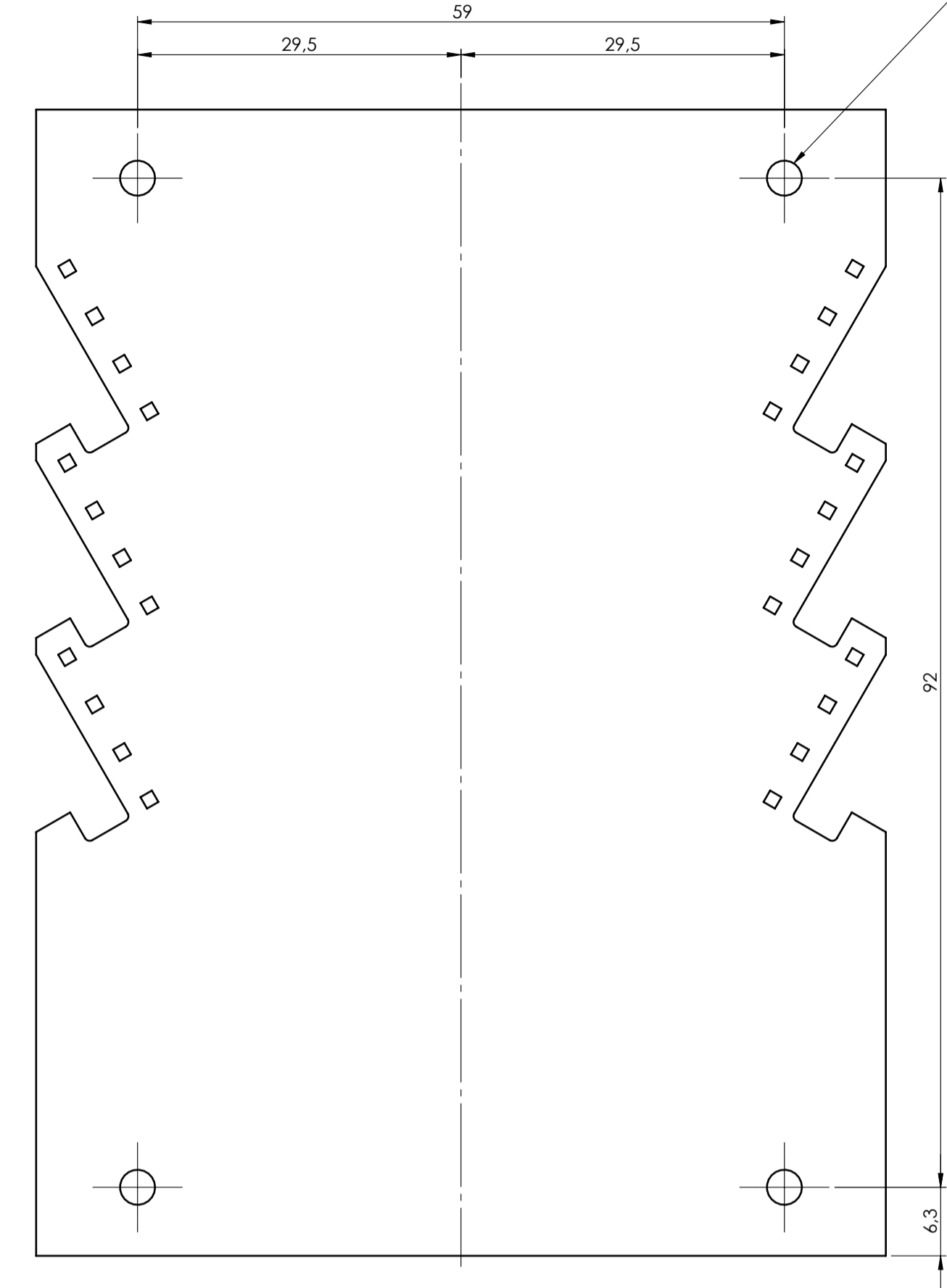
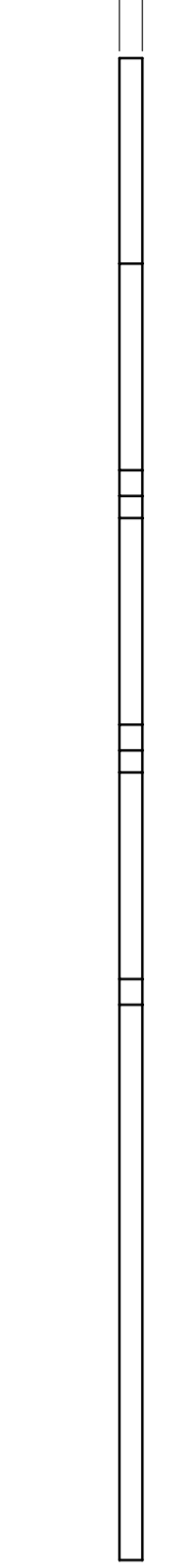
5ES - xPR



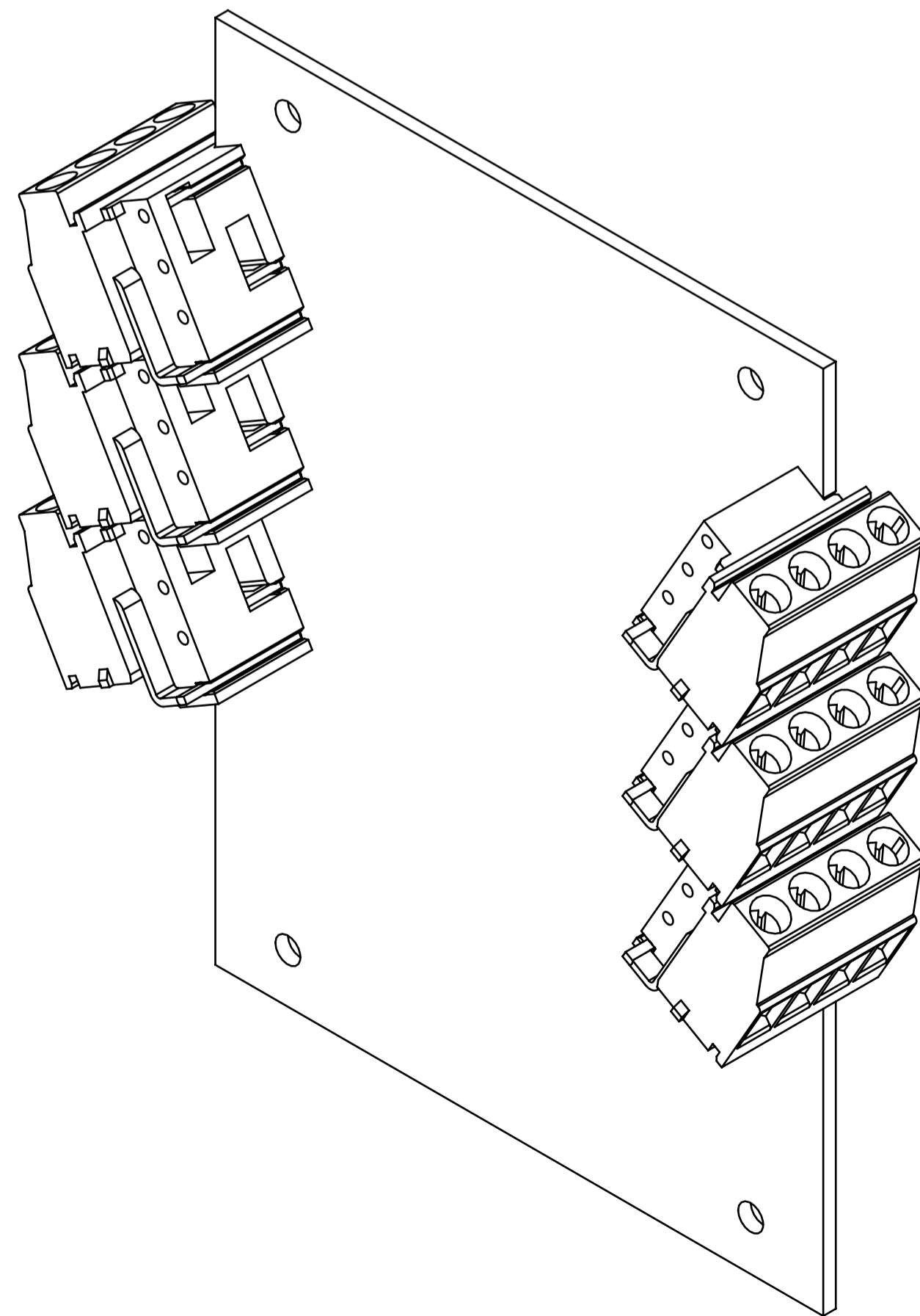
5ES - xPL



1.6 ± 0.1



RECOMMENDED HOLE POSITIONS



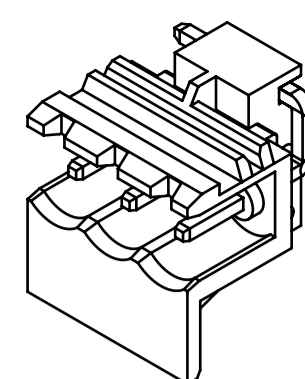
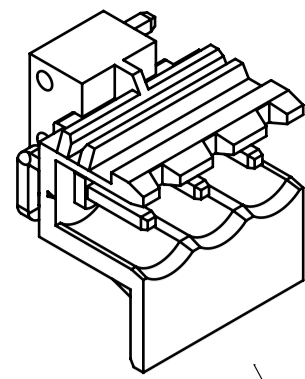
General Tolerance UNE EN 22768/1 Media (m)					Sheet:
from 0.5 to 3 ± 0.1	from 3 to 6 ± 0.1	from 6 to 30 ± 0.2	from 30 to 120 ± 0.3	from 120 to 400 ± 0.5	PCB V FIX
Scale:	2:1	Drawn:	M.S.	Checked:	R.N.
Dimension in mm		Replaces the:	R-03437-00	Date:	21/08/2023
		Derived from:	--	Material:	--
		Weight:	gr	Cod. Mold:	--
Description:					
KIT CONTENITORE RAILBOX PLUG-FIX 35 MM					
KIT ENCLOSURE RAILBOX PLUG-FIX 35 MM					
Drawing n°:					Rev.:
3_110_00019					00 A1

NO COMPONENTS AREA



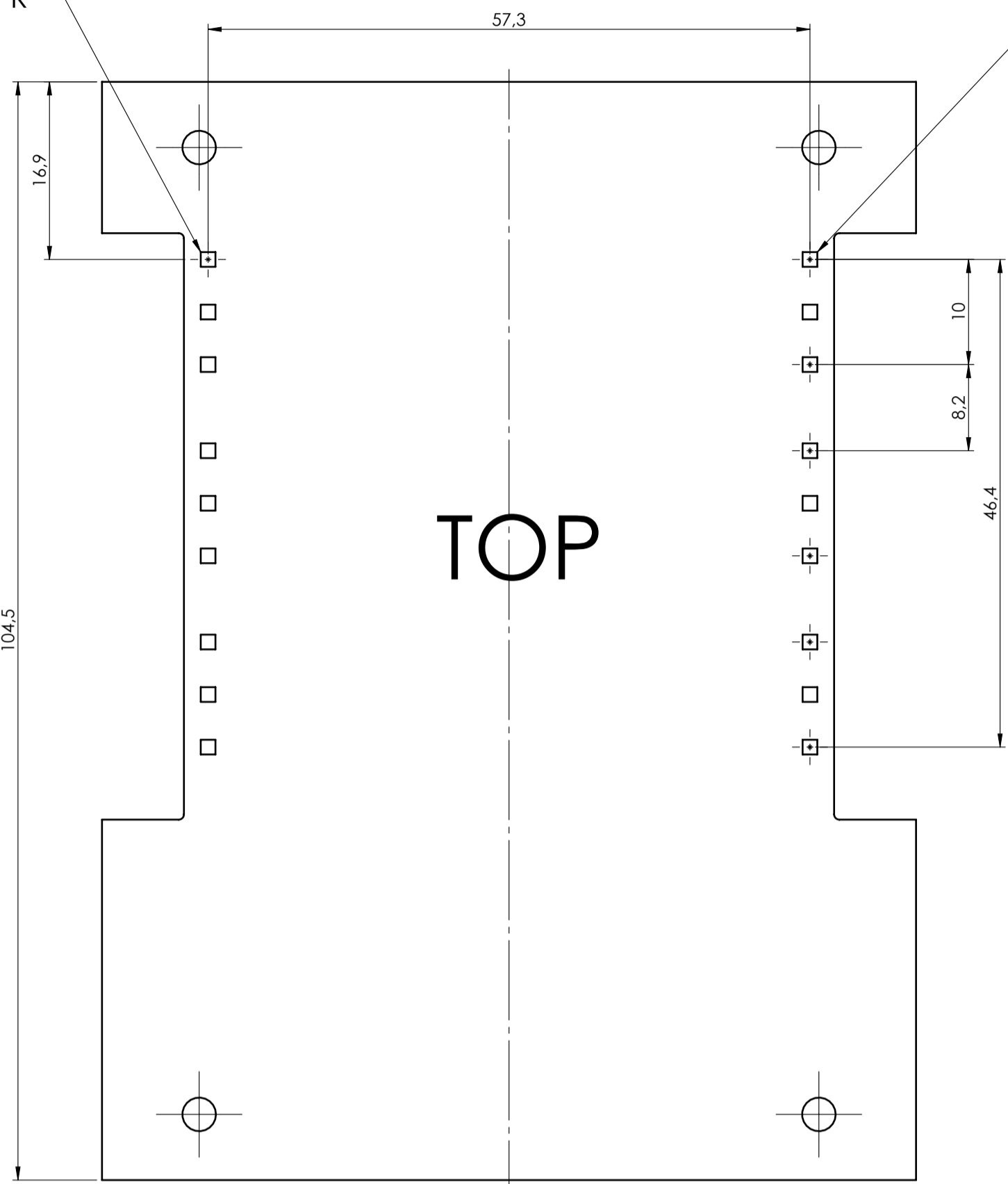
enclosures for electronics
italtronic.com

PCB V PLUG-IN

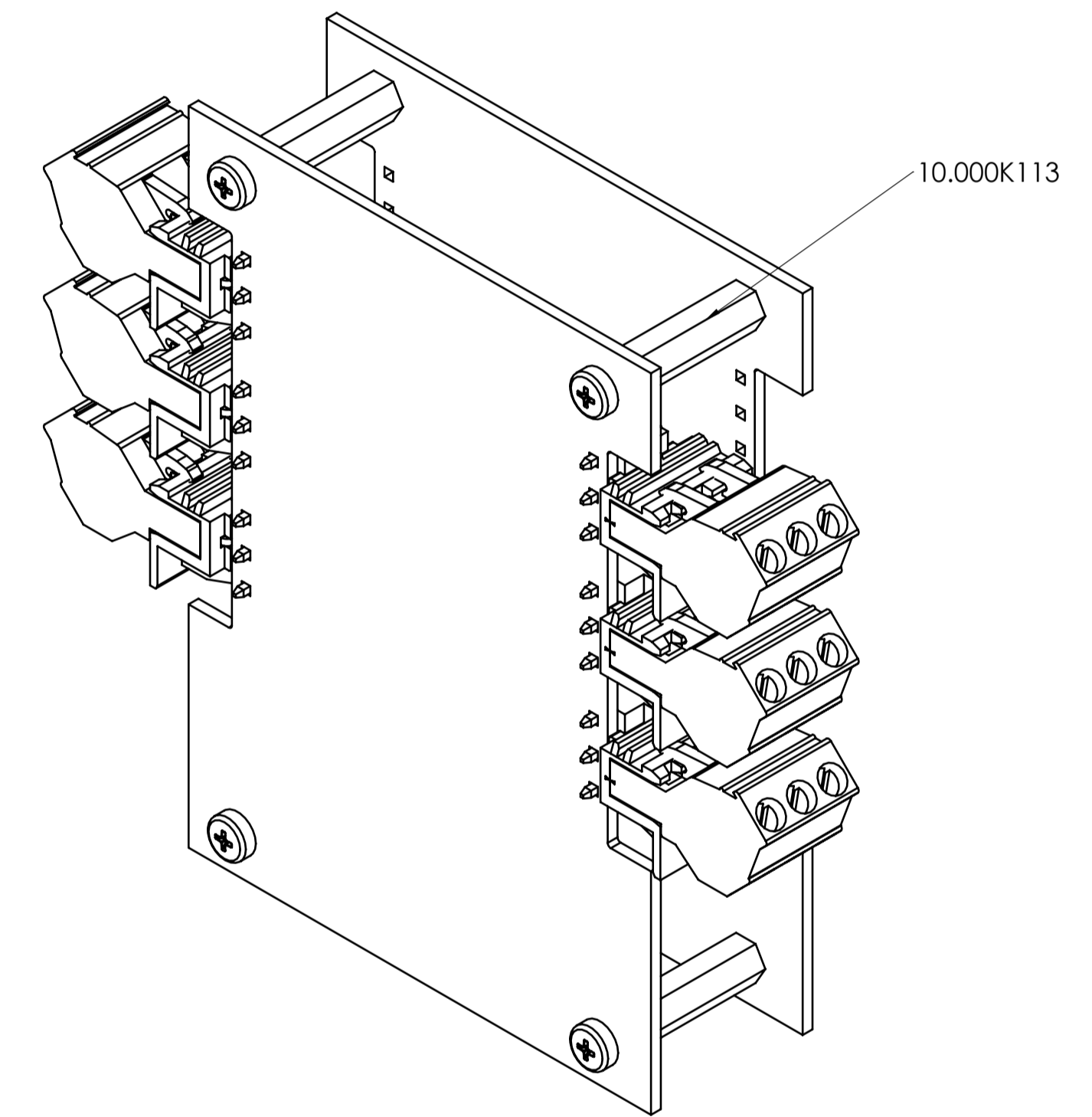
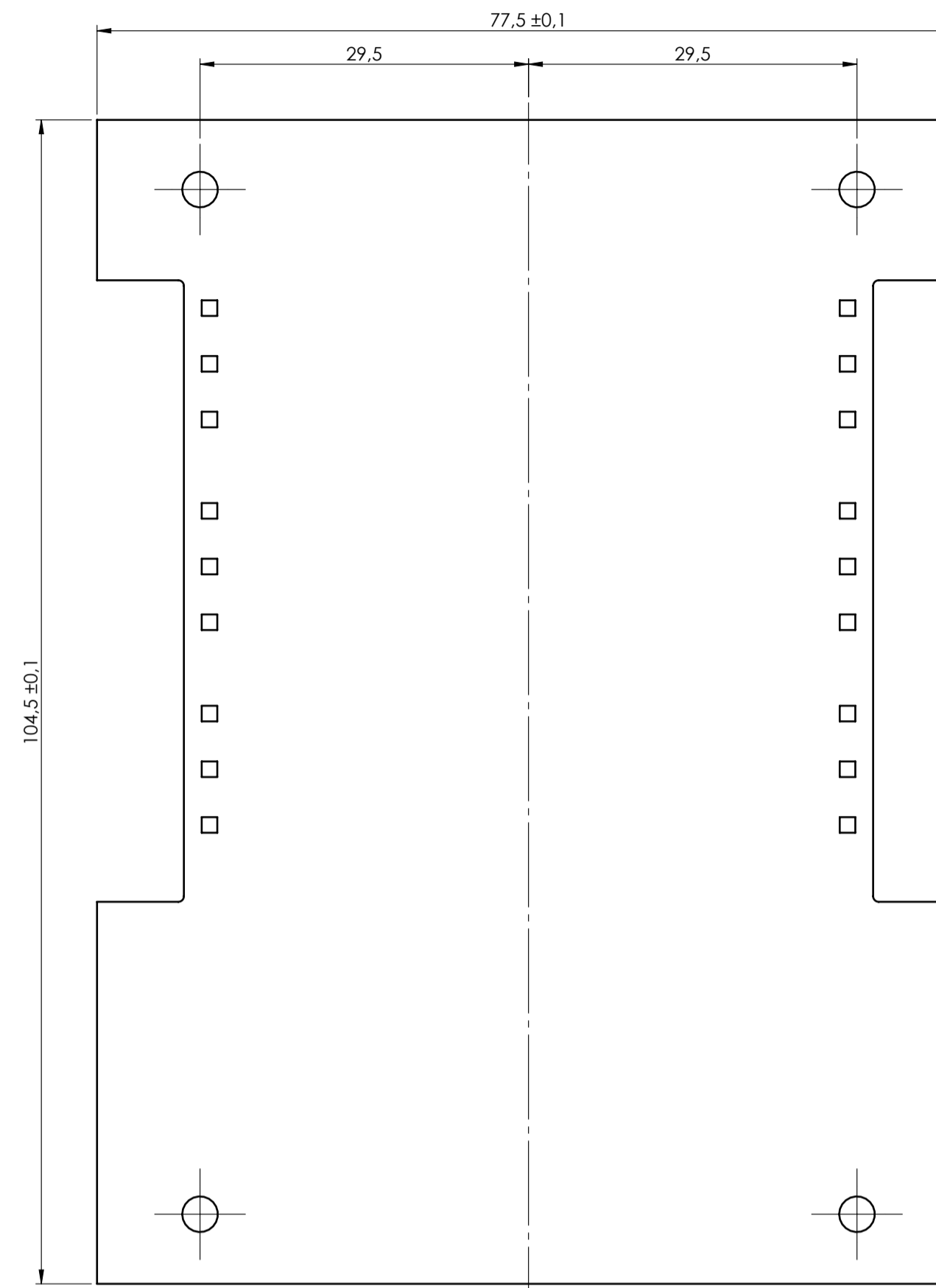
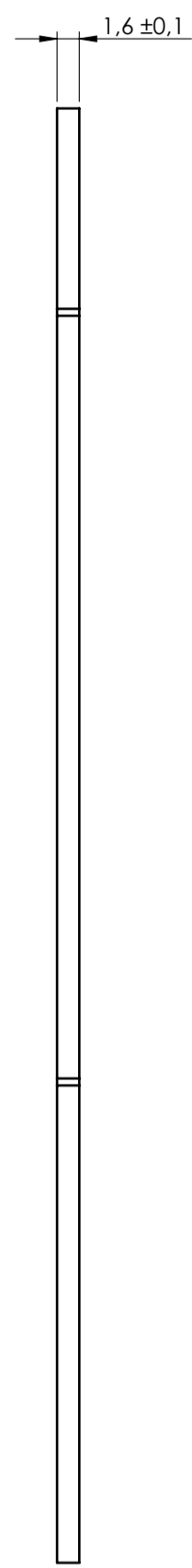


5EH-xPR

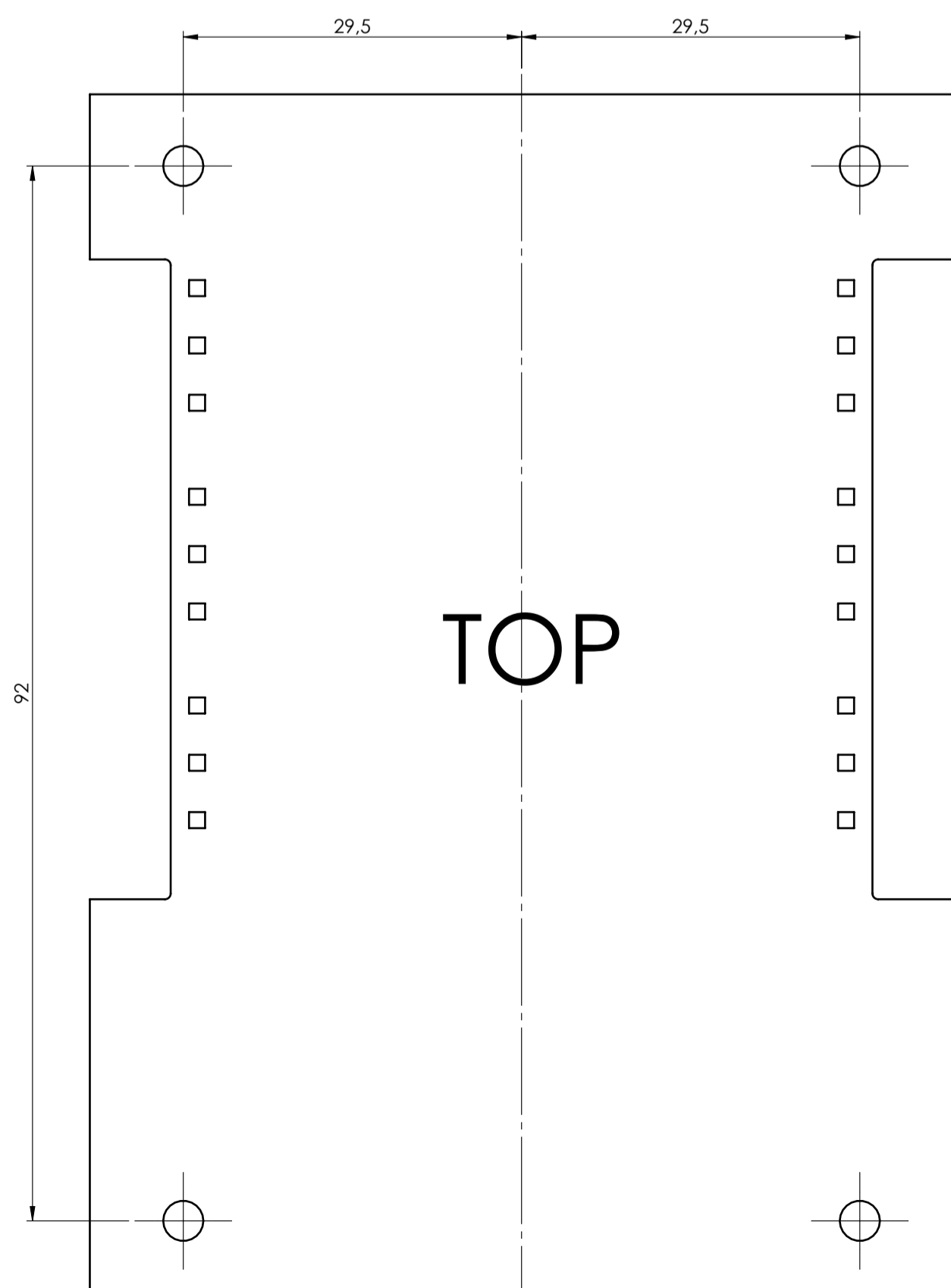
5EH-xPL



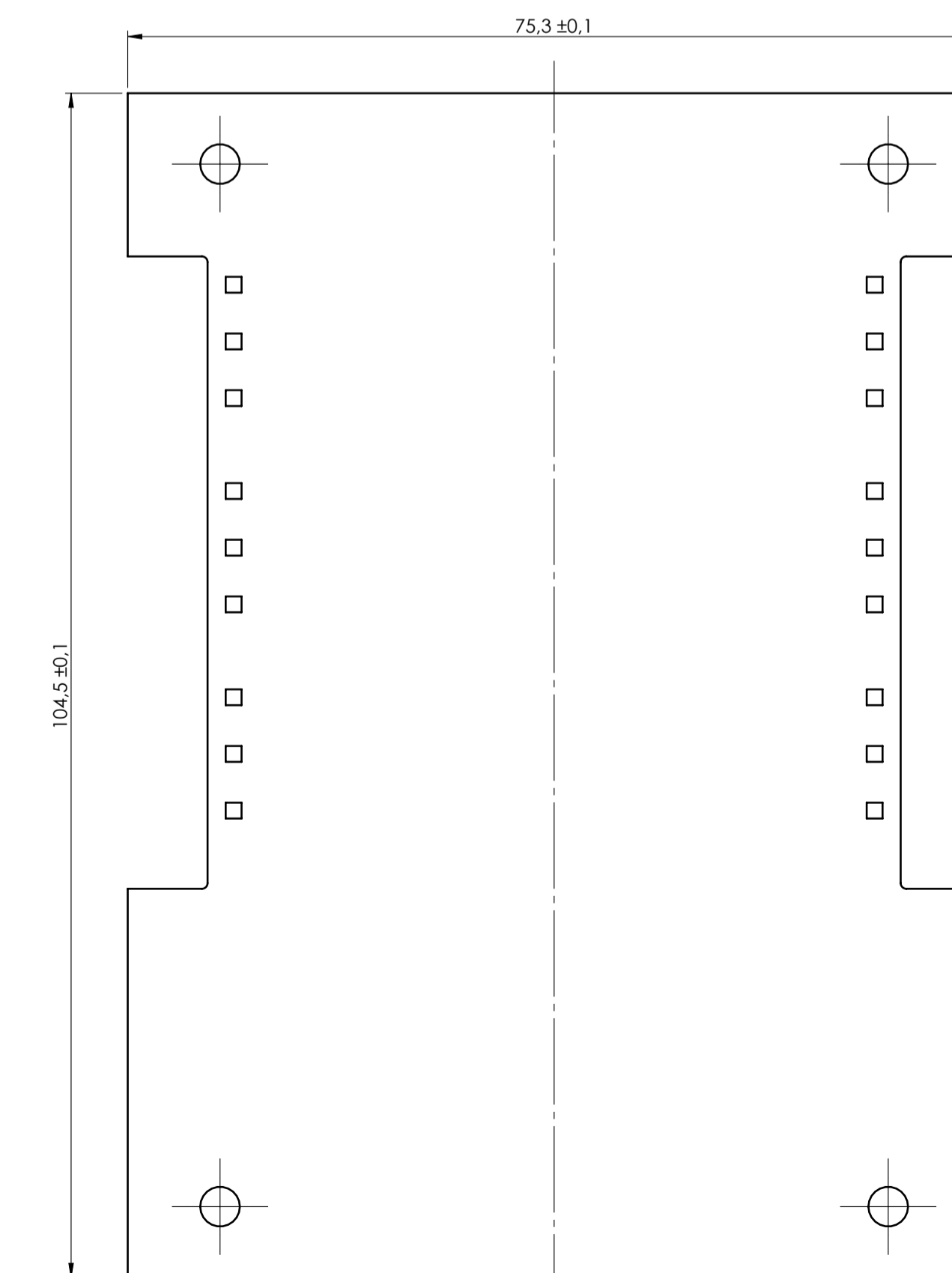
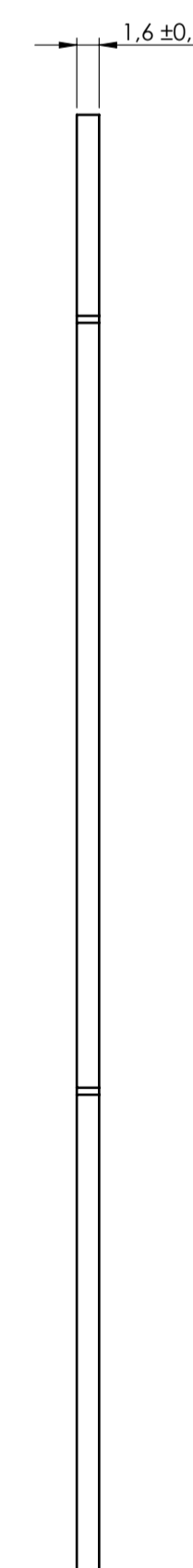
TOP



10.000K113



TOP



General Tolerance UNI EN 22768 / I Mecc (m)					Sheet:
from 0.5 to 3 ± 0.1	from 3 to 6 ± 0.1	from 6 to 30 ± 0.2	from 30 to 120 ± 0.3	from 120 to 400 ± 0.5	PCB V PLUG-IN
Scale:	Drawn:	Checked:	Date:	Material:	Process:
2:1	M.S.	R.N.	21/08/2023		
Dimension in mm	Replaces the:	Derived from:	Weight:	Cod. Mod:	
	R-03437-00		gr	--	
Description:					
KIT CONTENITORE RAILBOX PLUG-FIX 35 MM					
KIT ENCLOSURE RAILBOX PLUG-FIX 35 MM					
Drawing n°:					Rev:
3_110_00019					00 A1

NO COMPONENTS AREA

