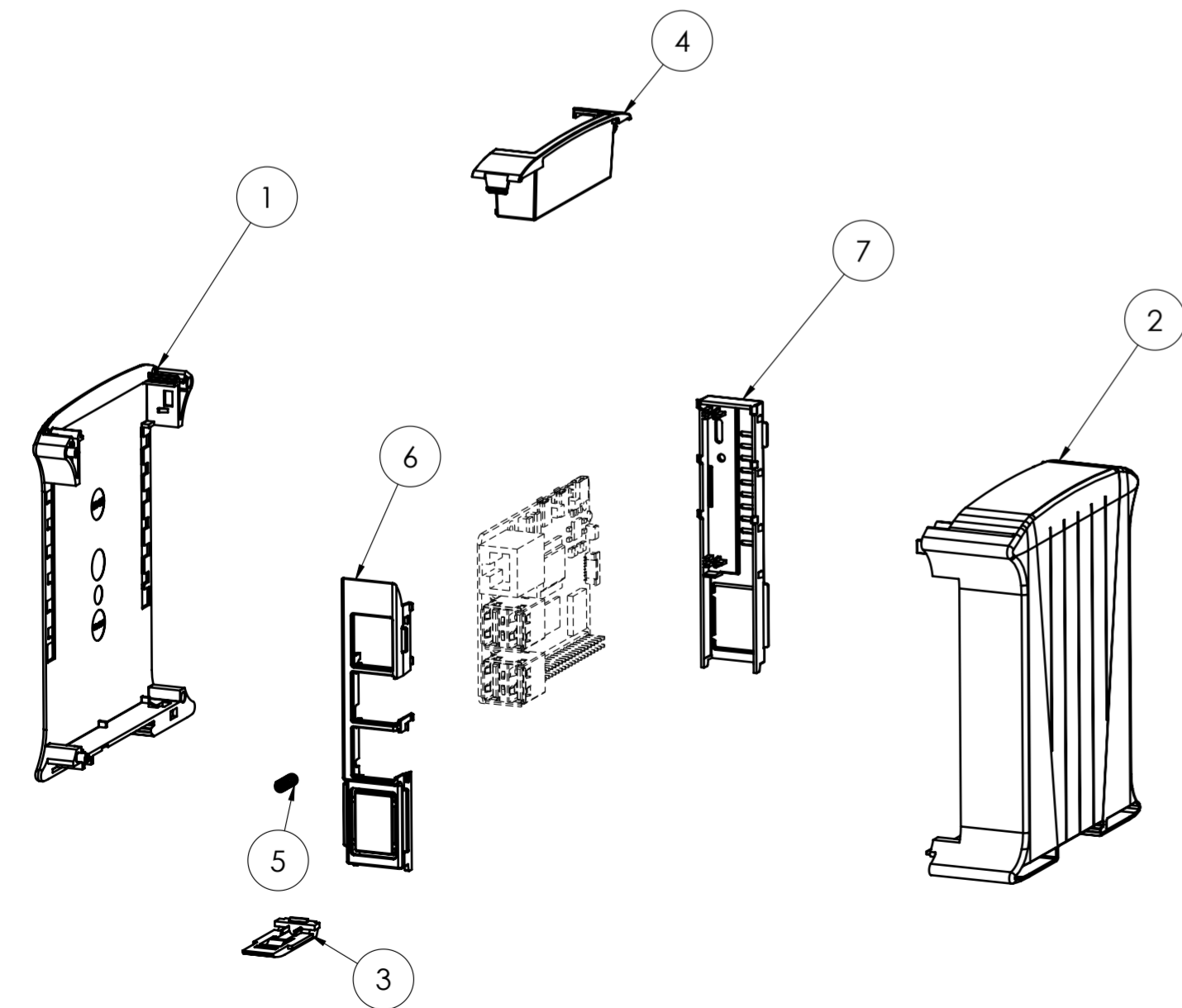
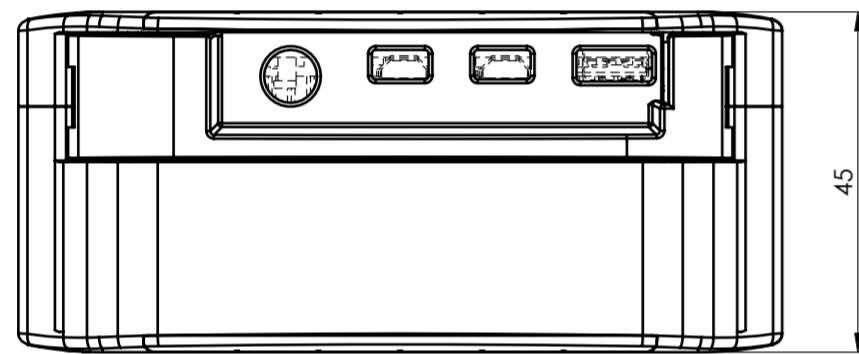
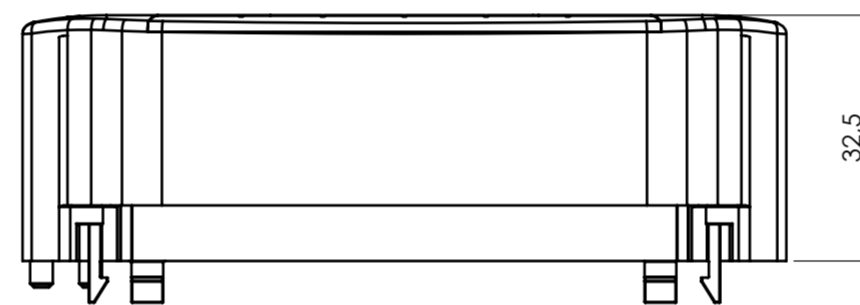
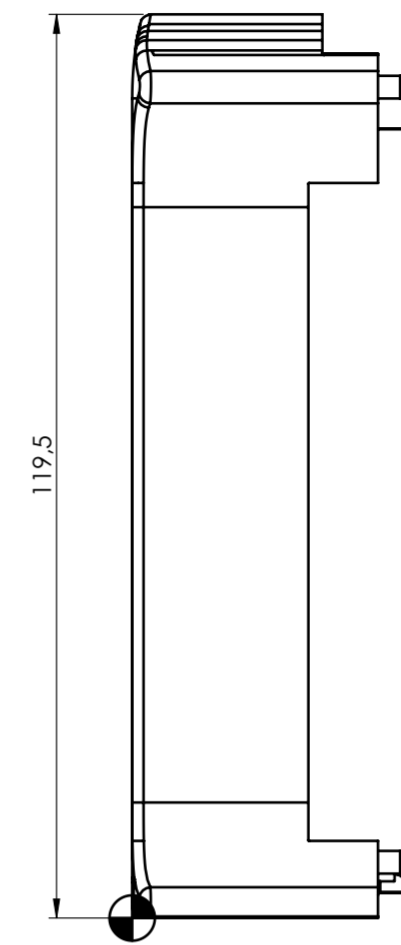
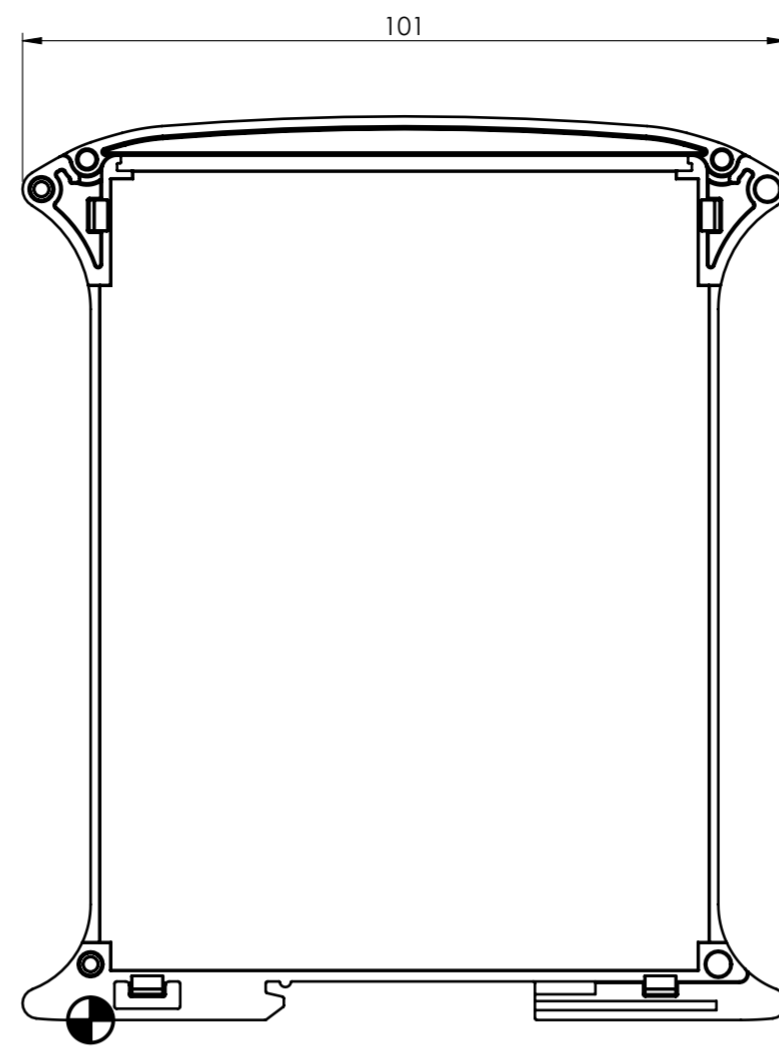


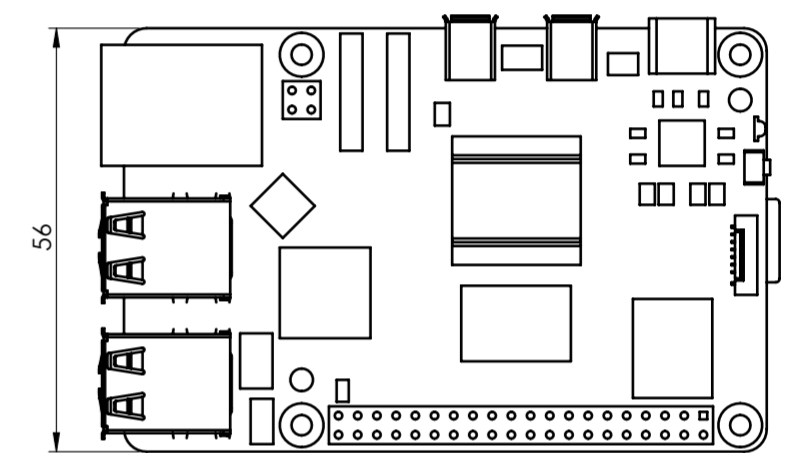
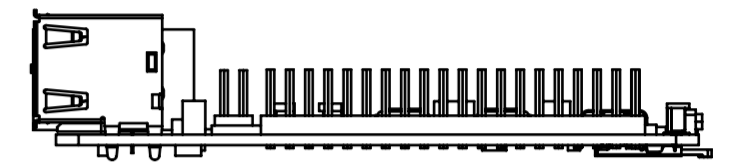
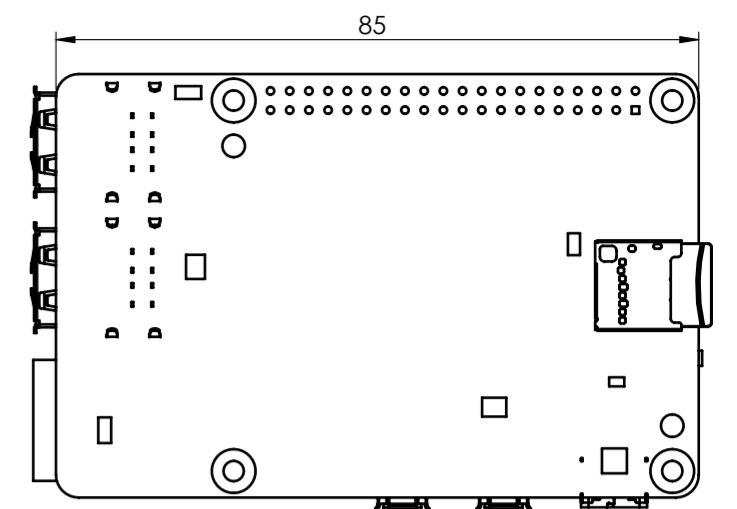
SECTION A-A



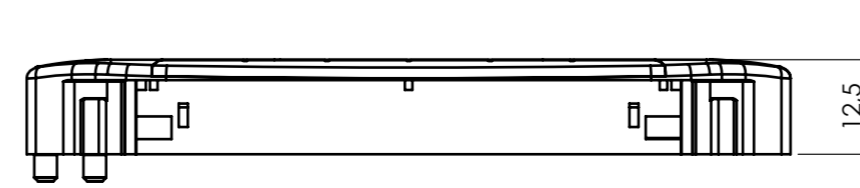
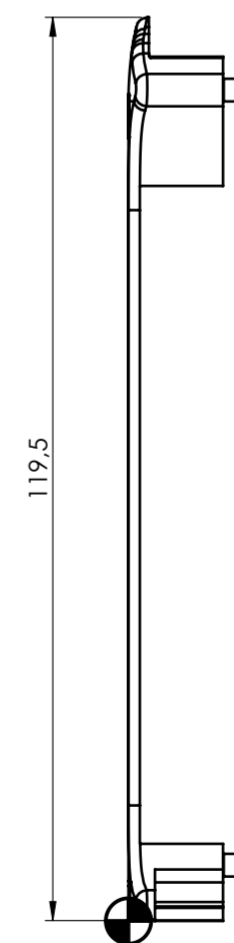
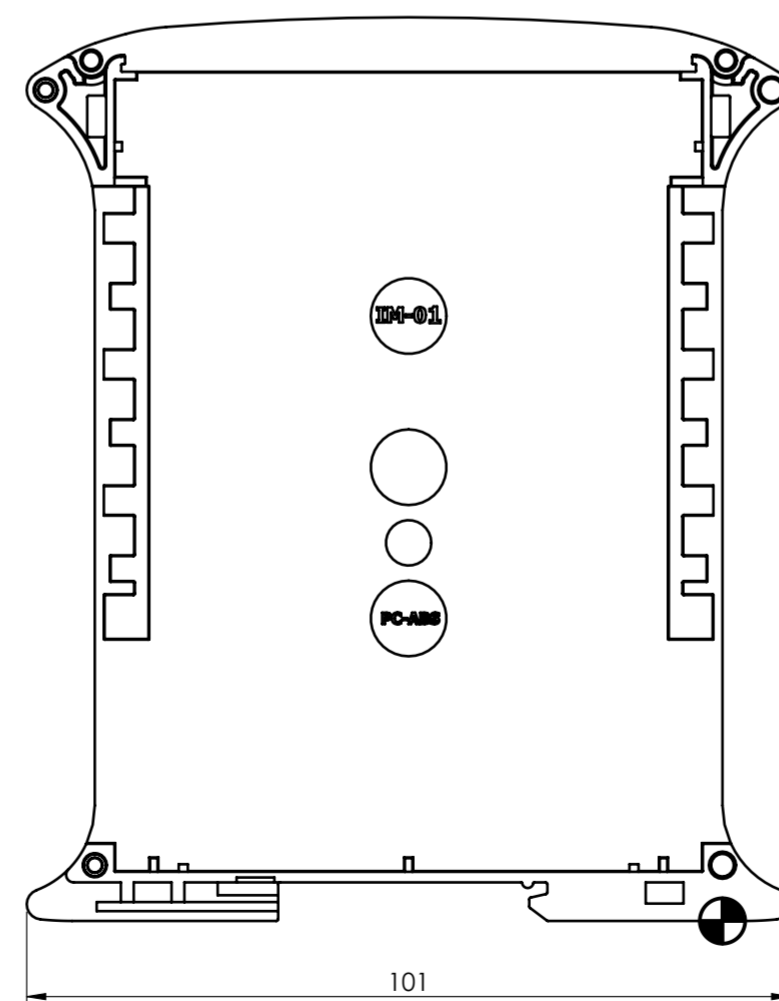
COVER RAILBOX



PCB RAILBOX PI5



BASE RAILBOX



- General information:
- Workpiece zero point for mechanical processing
 - Minimum recommended radius for machining = R1.0 mm
 - Mounting rail like EN 60715: TH 35-15
 - Recommended PCB outline on www.italtronic.com

RIF.	Q.TY	DRAWING	DESCRIPTION
1	1	2_110_00033	BASE RAILBOX 12.5 MM 3L
2	1	2_110_00038	COVER RAILBOX PLUG&FIX 32.5 MM
3	1	2_110_00032	HOOK RAILBOX
4	1	2_050_00070	FRONT PANEL FOR RAILBOX RASPBERRY PI 4
5	1	2_110_00011	SPRING FOR HOOK RAILBOX
6	1	2_050_00047	ACCESSORY LEFT RAILBOX RASPBERRY PI B+/3
7	1	2_050_00071	ACCESSORY RIGHT RAILBOX PI5

General Tolerance UNI EN 22768/1 Media (m)					Sheet:
from 0.5 to 3	from 3 to 6	from 6 to 30	from 30 to 120	from 120 to 400	1
± 0.1	± 0.1	± 0.2	± 0.3	± 0.5	
Scale:	IM:	Drawn:	Checked:	Date:	Material:
1:1	--	M.S.	R.N.	25/03/2024	Process:
Dimension in mm		Replaces the:		Derived from:	Weight:
		--		--	gr
		Cod. Mold:		--	

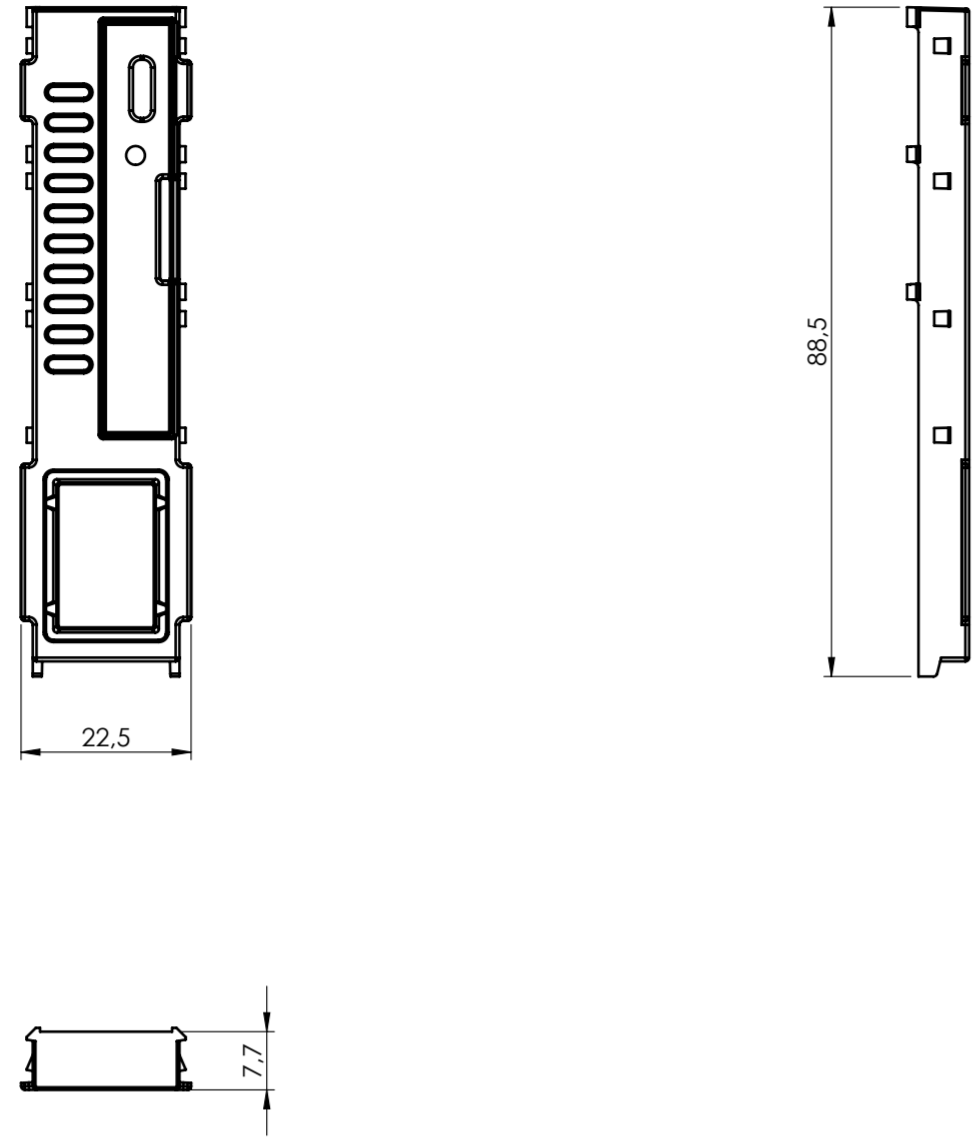
italtronic
enclosures for electronics
italtronic.com

Description:
KIT CONTENITORE RAILBOX 45MM PI 5
KIT ENCLOSURE RAILBOX 45MM PI 5

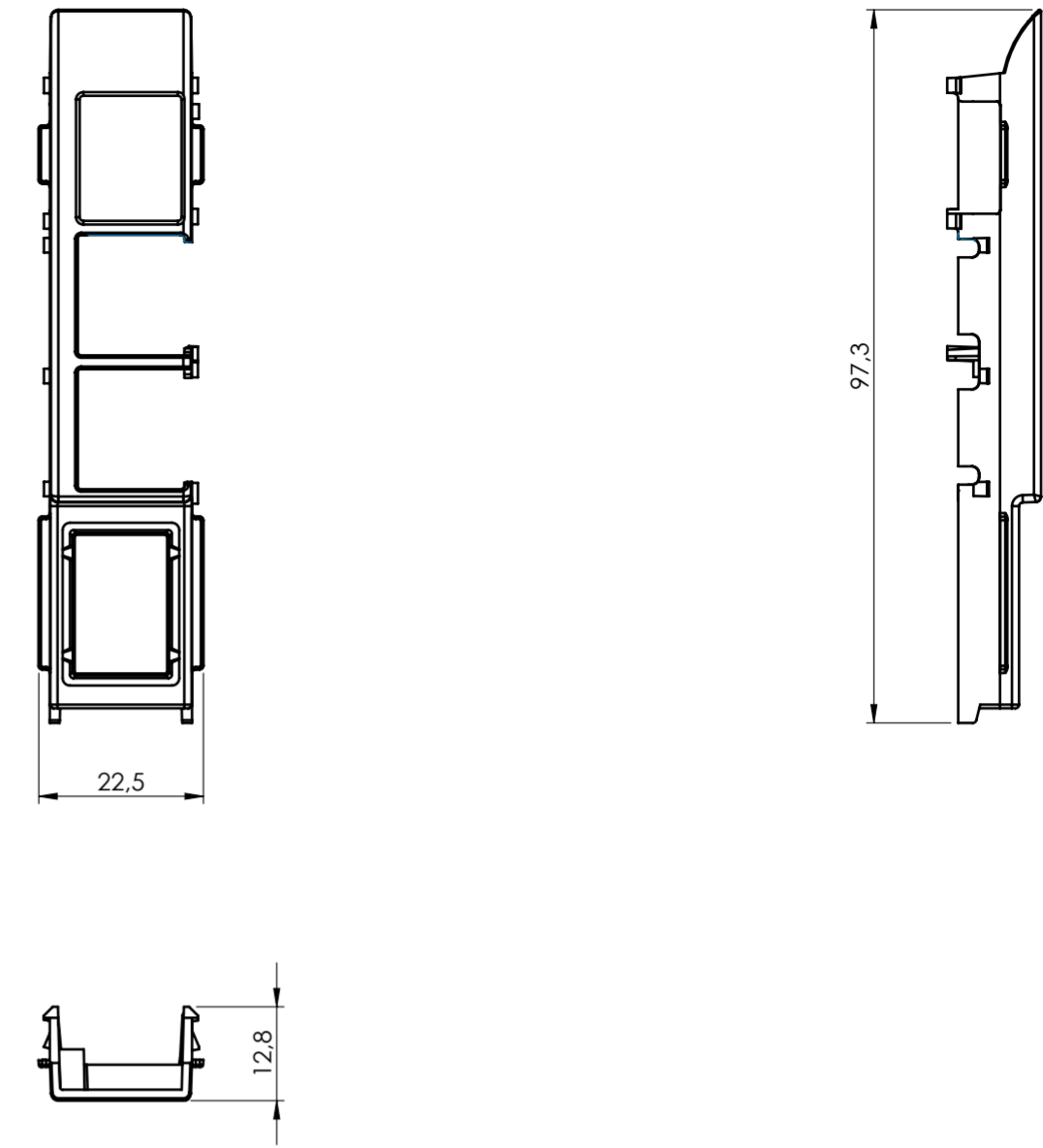
Drawing nr.:
3_050_00065

Rev.:
00 A2

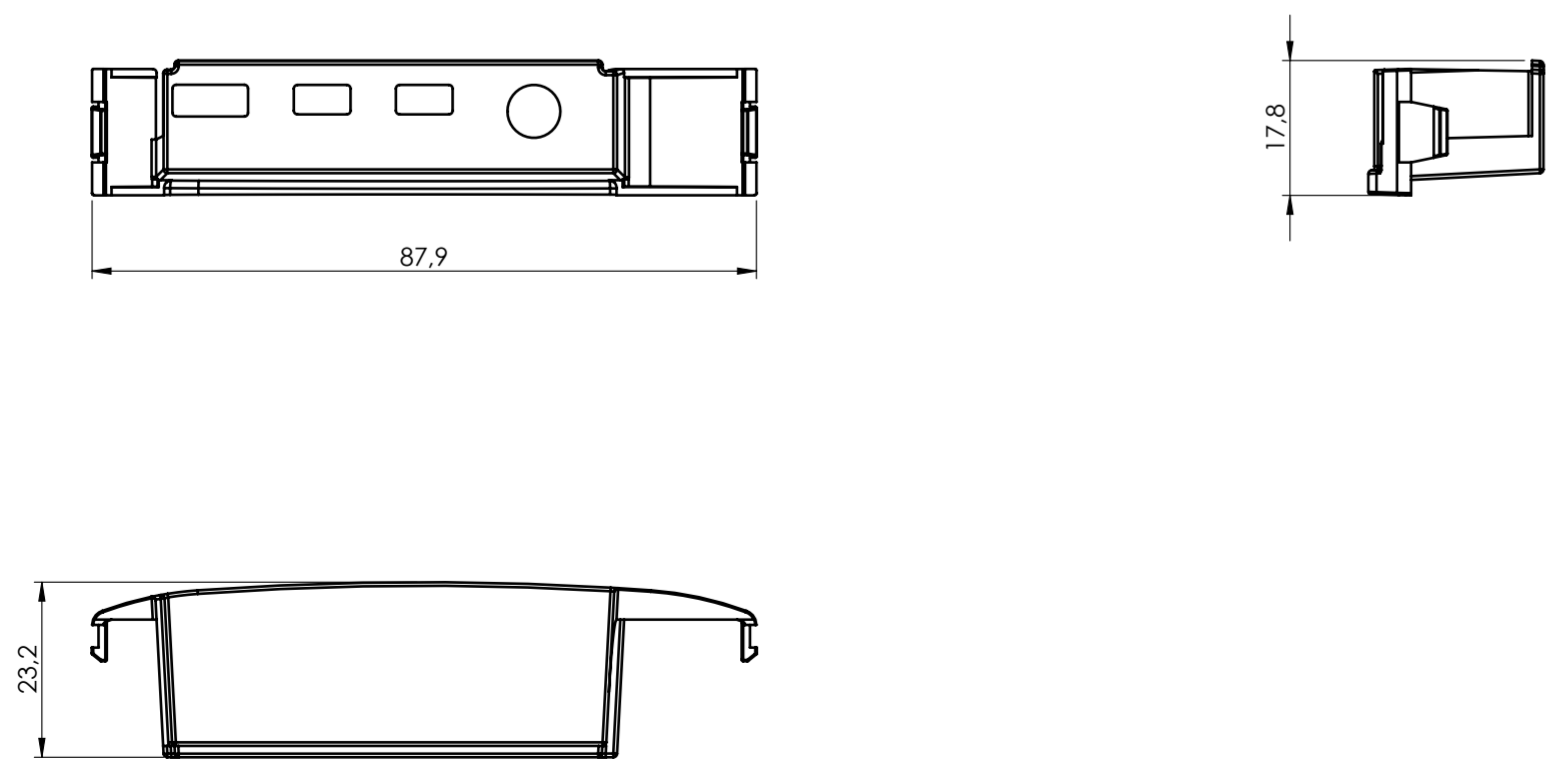
ACCESSORIO DX



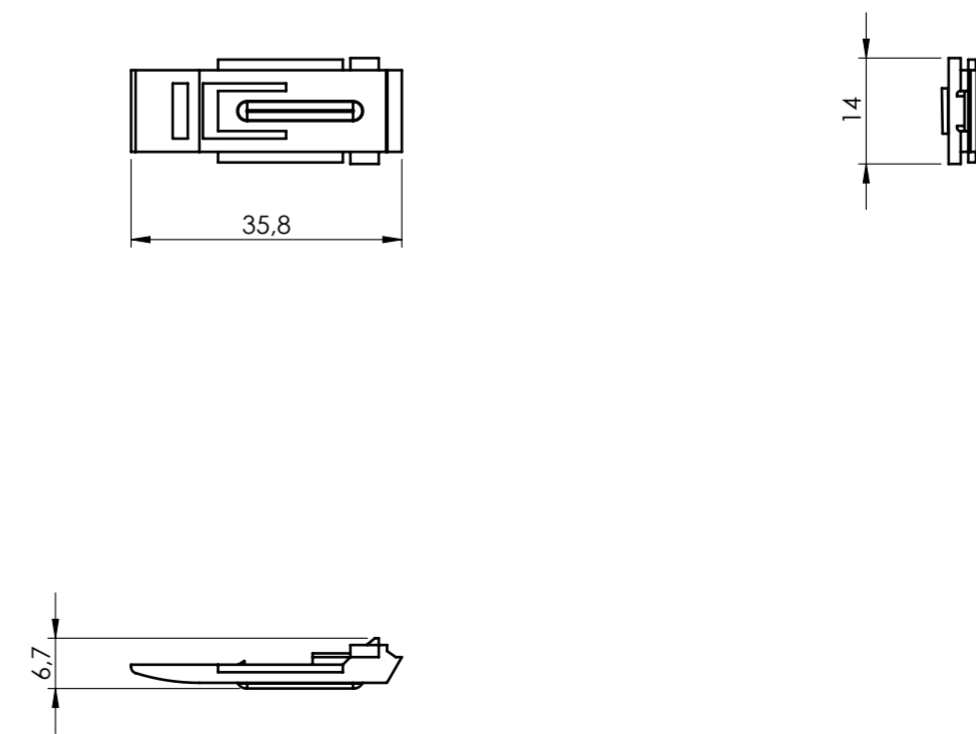
ACCESSORIO SX



HINGED PANEL

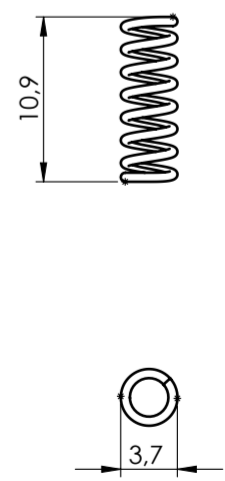



HOOK



SPRING

2:1



General Tolerance UNI EN 22768/1 Media (m)					Sheet:
from 0.5 to 3 ± 0.1	from 3 to 6 ± 0.2	from 6 to 30 ± 0.3	from 30 to 120 ± 0.4	from 120 to 400 ± 0.5	2
Scale:	IM:	Drawn:	Checked:	Date:	Material:
1:1	--	M.S.	R.N.	25/03/2024	Process:
Dimension in mm		Replaces the:		Derived from:	Weight:
		--		--	gr
 italtronic enclosures for electronics italtronic.com					Description: KIT CONTENITORE RAILBOX 45MM PI 5 KIT ENCLOSURE RAILBOX 45MM PI 5 Drawing nr.: 3_050_00065
					Rev.: 00 A2