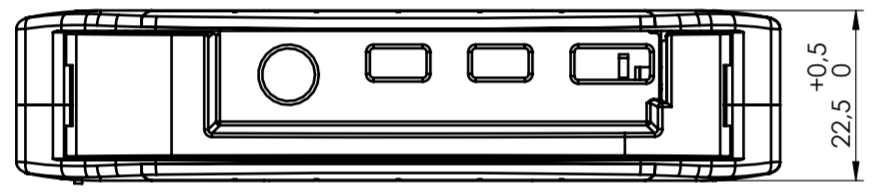
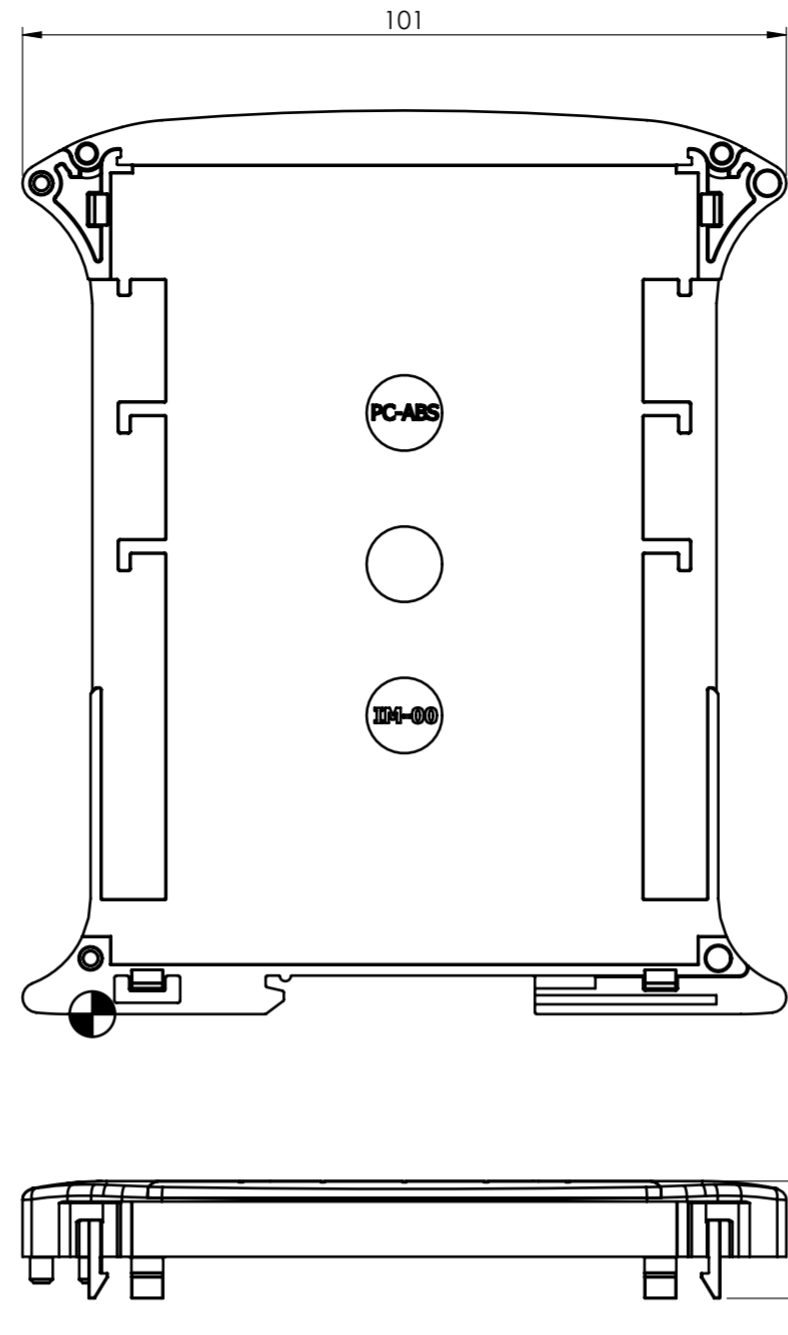


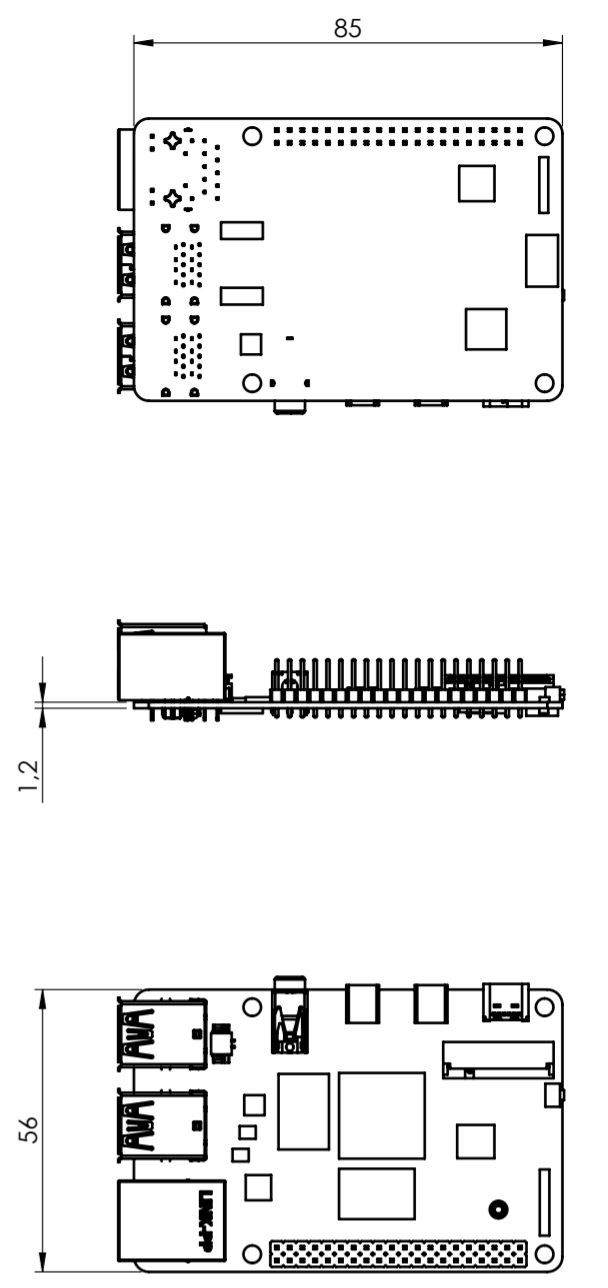
SECTION A-A



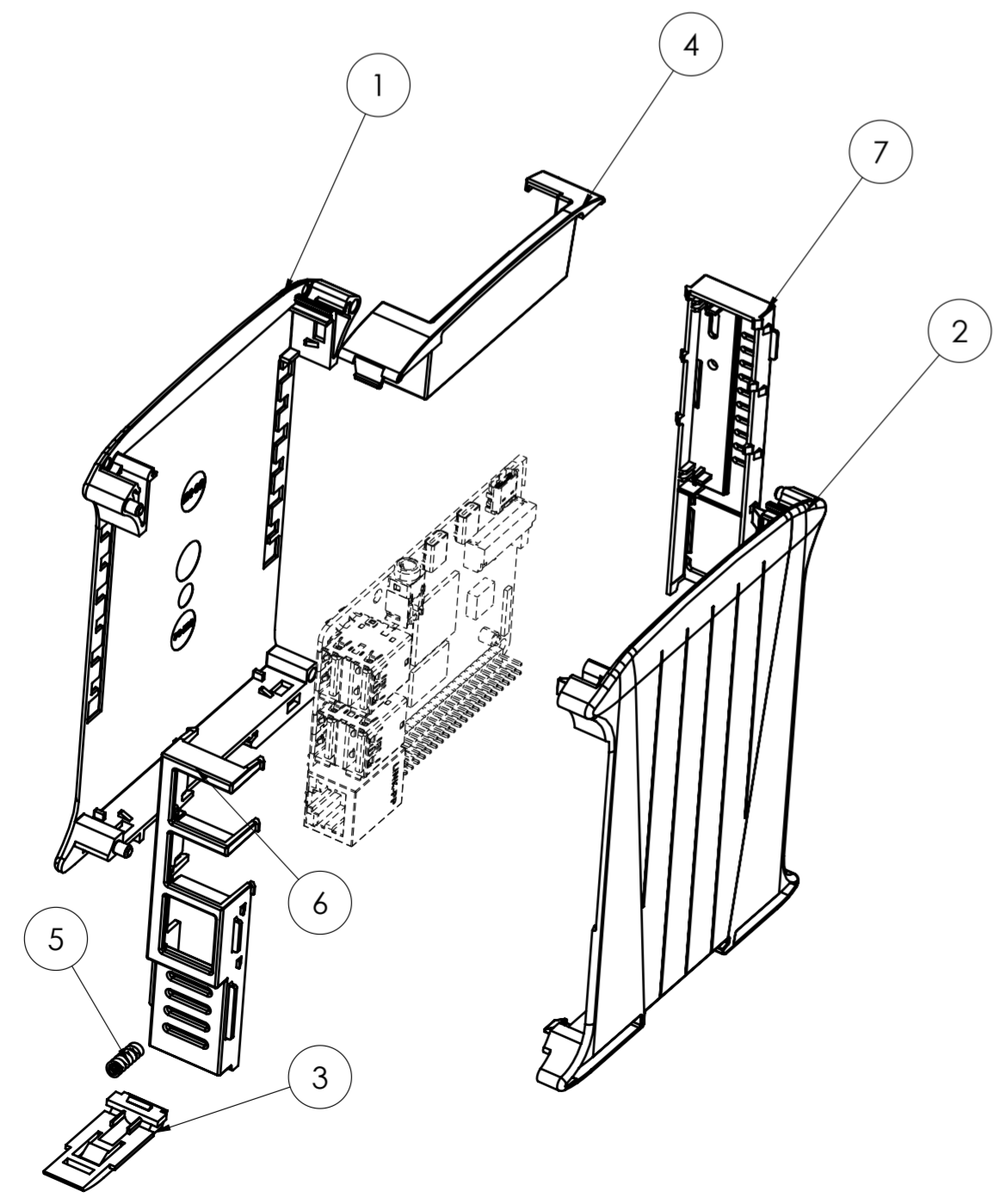
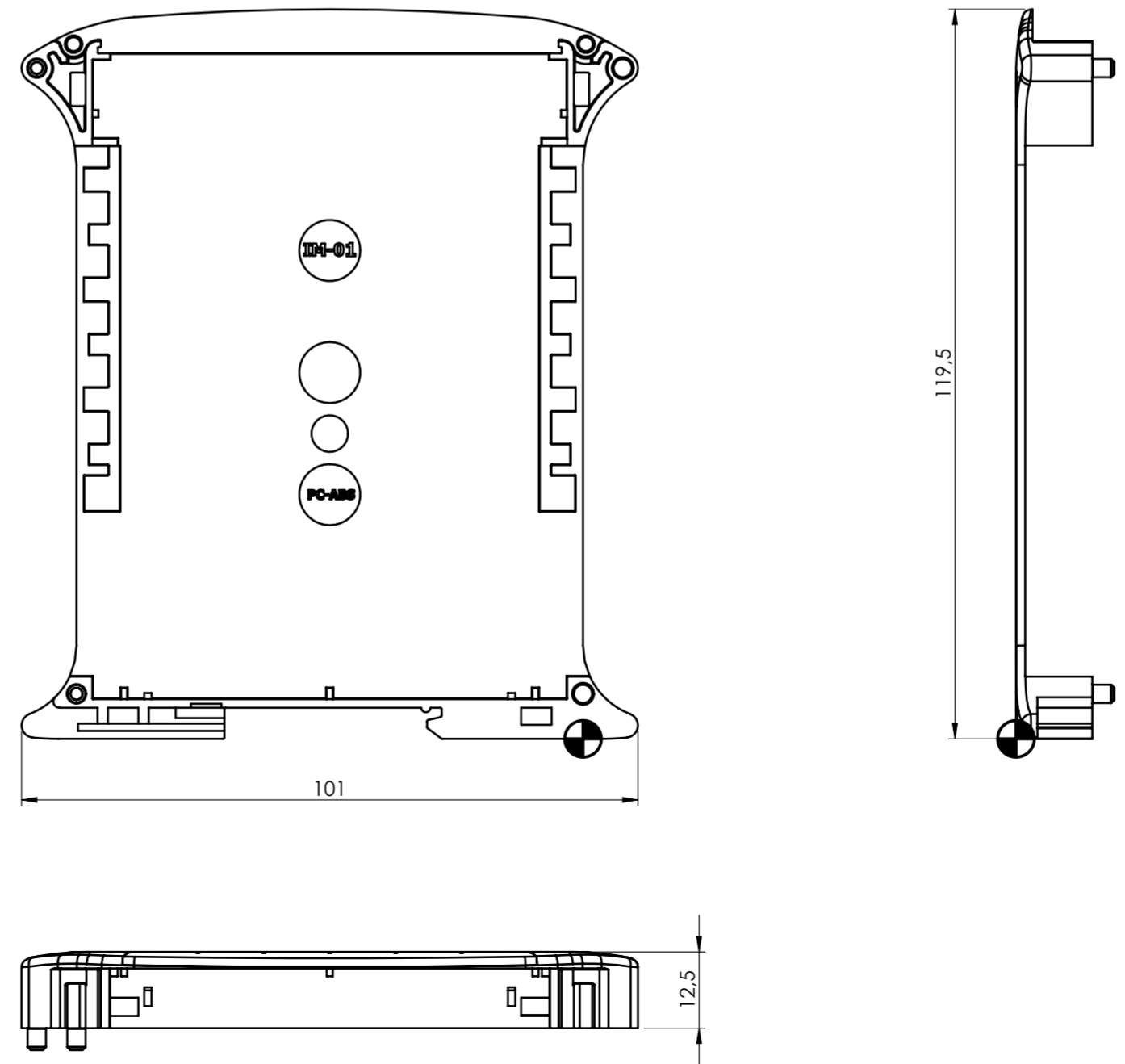
COVER RAILBOX



PCB RASPBERRY ROCK 5



BASE RAILBOX



- General information:
- Workpiece zero point for mechanical processing
 - Minimum recommended radius for machining = R1.0 mm
 - Mounting rail like EN 60715: TH 35-15
 - Recommended PCB outline on www.italtronic.com

RIF.	Q.TY	DRAWING	DESCRIPTION
1	1	2_110_00033	BASE RAILBOX 12.5 MM 3L
2	1	2_110_00089	COVER MULTILEVEL RAILBOX 10 MM 3L
3	1	2_110_00032	HOOK RAILBOX
4	1	2_110_00037	FRONT PANEL FOR RAILBOX RASPBERRY PI 4
5	1	2_110_00011	SPRING FOR HOOK RAILBOX
6	1	2_110_00035	ACCESSORY LEFT FOR RAILBOX RASPBERRY PI 4
7	1	2_110_00116	ACCESSORY RIGHT RAILBOX ROCK 5A

General Tolerance UNI EN 22768/1 Media (m)					Sheet:
from 0.5 to 3	from 3 to 6	from 6 to 30	from 30 to 120	from 120 to 400	1
± 0.1	± 0.1	± 0.2	± 0.3	± 0.5	
Scale:	IM:	Drawn:	Checked:	Date:	Material:
1:1	--	R.N.	R.N.	07/12/2023	Process:
Dimension in mm		Replaces the:		Derived from:	Weight:
		--		--	gr
		Cod. Mold:		--	

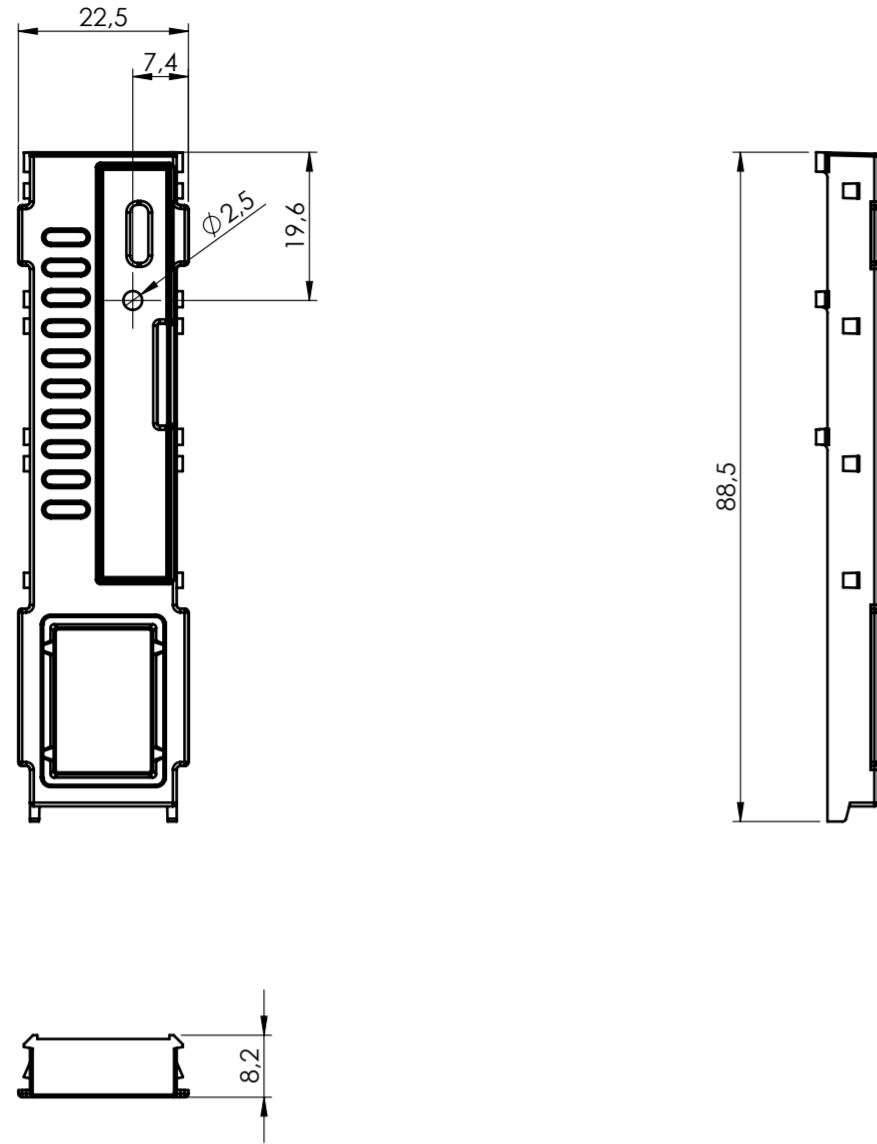
italtronic
enclosures for electronics
italtronic.com

Description:
KIT 22.5 RAILBOX ROCK 5A
KIT 22.5 RAILBOX ROCK 5A

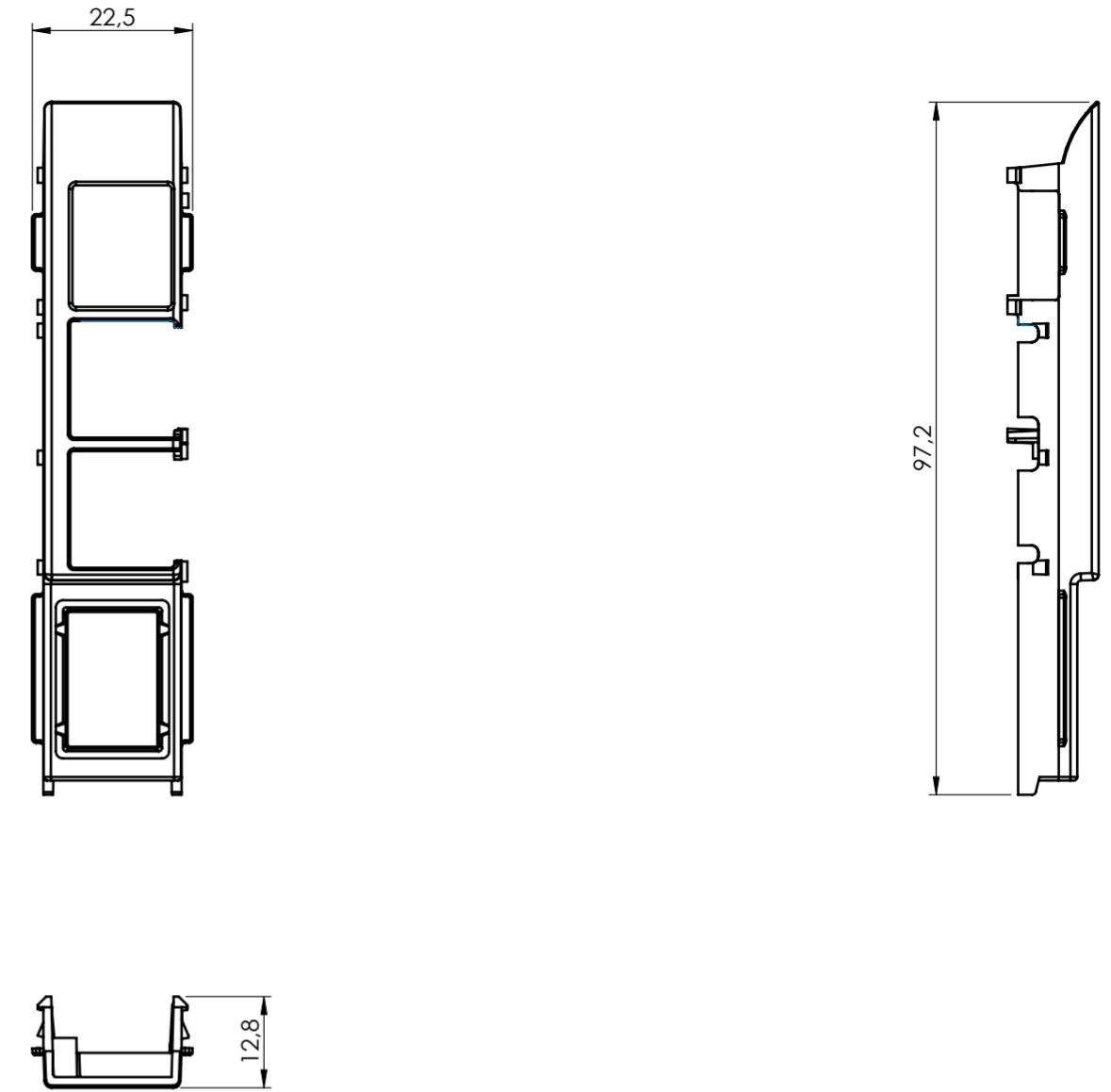
Drawing nr.:
3_050_00046

Rev.:
00 A2

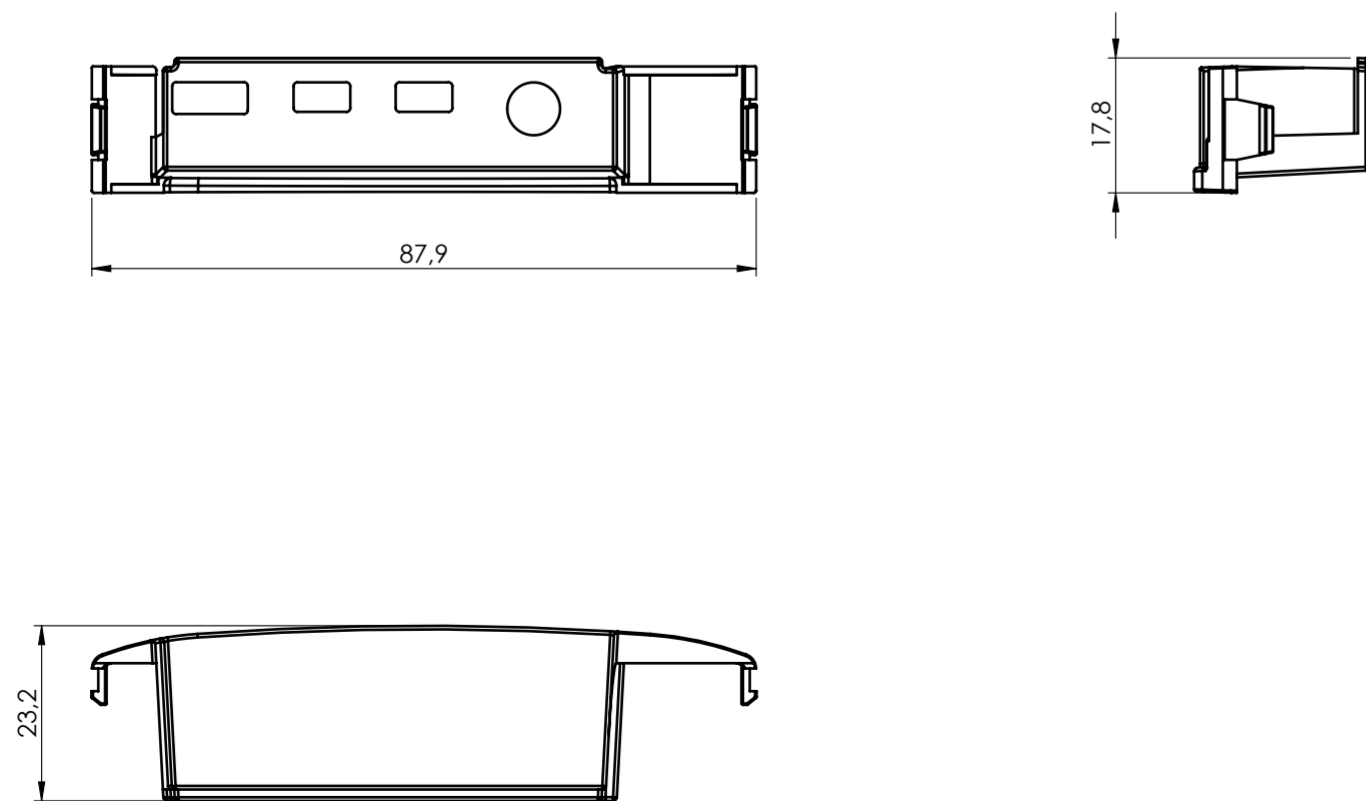
ACCESSORIO DX



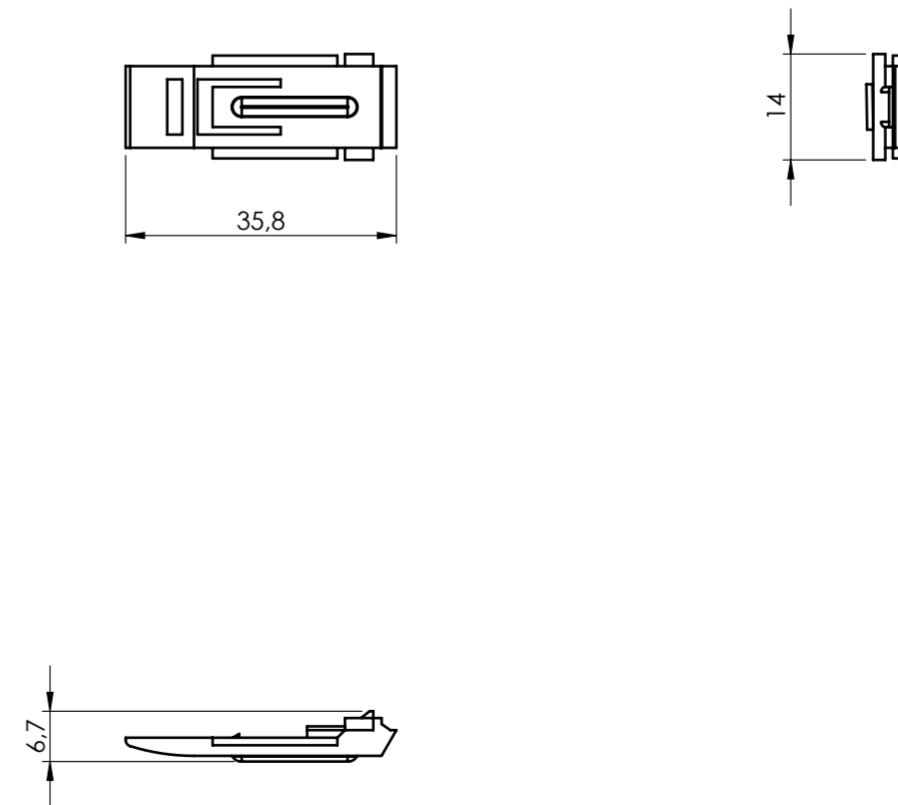
ACCESSORIO SX



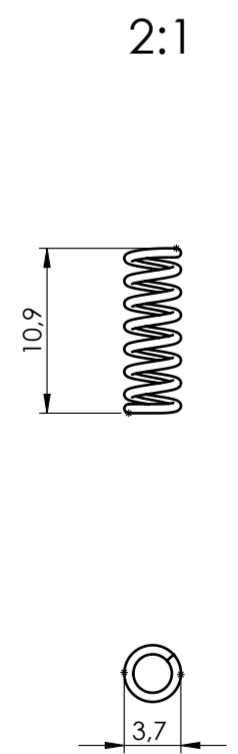
HINGED PANEL




HOOK



SPRING



General Tolerance UNI EN 22768/1 Media (m)					Sheet:
from 0.5 to 3	from 3 to 6	from 6 to 30	from 30 to 120	from 120 to 400	2
± 0.1	± 0.1	± 0.2	± 0.3	± 0.5	
Scale:	IM:	Drawn:	Checked:	Date:	Material:
1:1	--	R.N.	R.N.	07/12/2023	Process:
Dimension in mm		Replaces the:	Derived from:	Weight:	Cod. Mold:
		--	--	gr	--
 italtronic.com		Description: KIT 22.5 RAILBOX ROCK 5A KIT 22.5 RAILBOX ROCK 5A			Rev.: 00
		Drawing nr.: 3_050_00046			A2