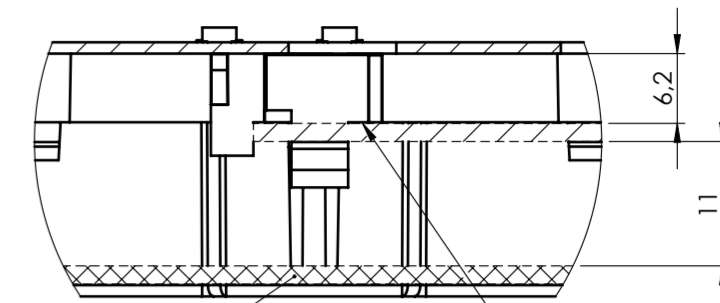
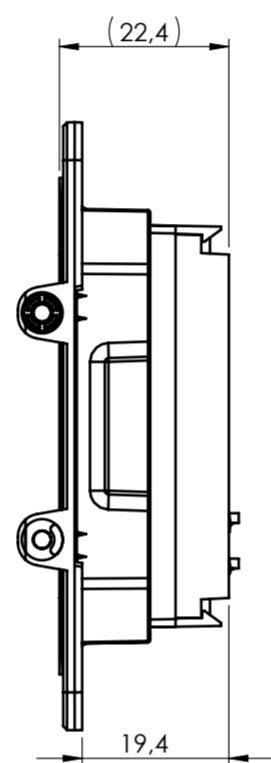
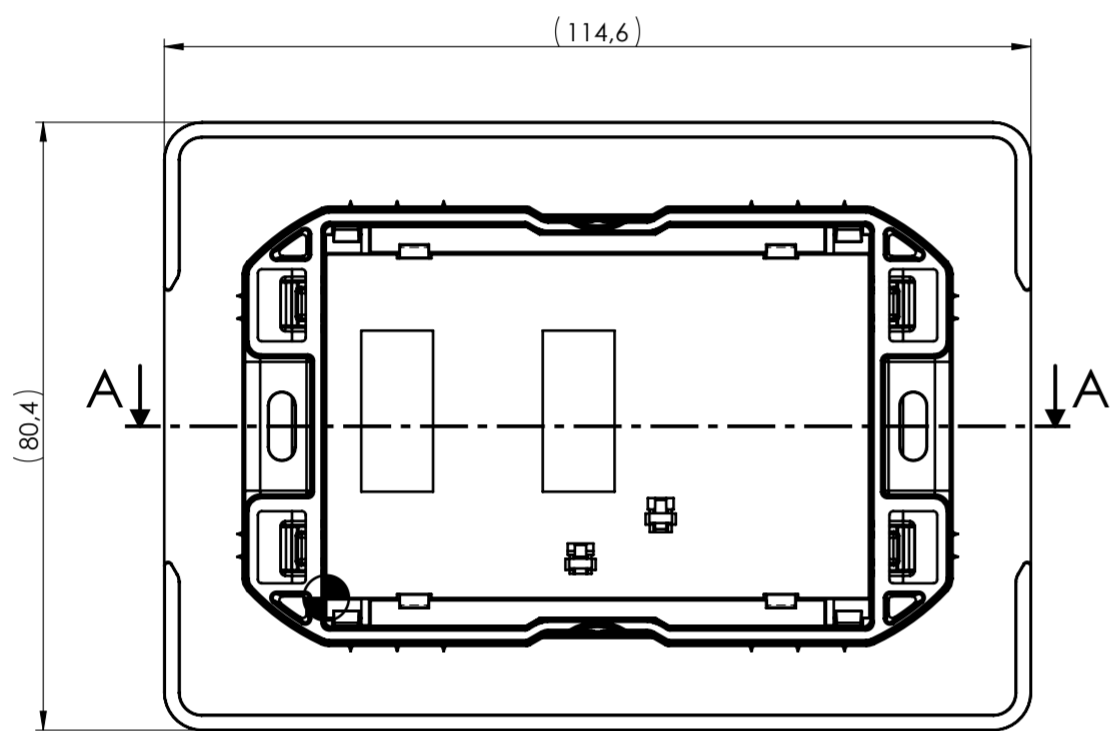
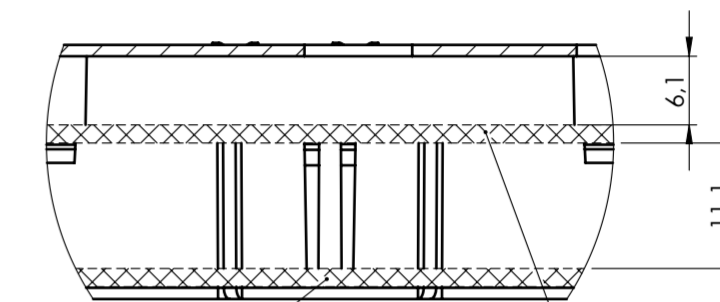


SECTION A-A



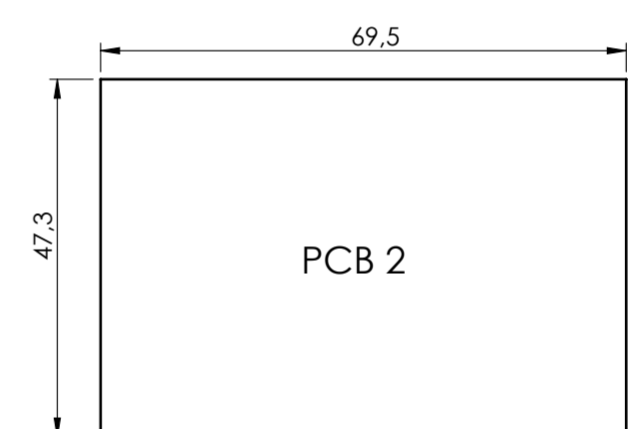
PCB1

PCB3

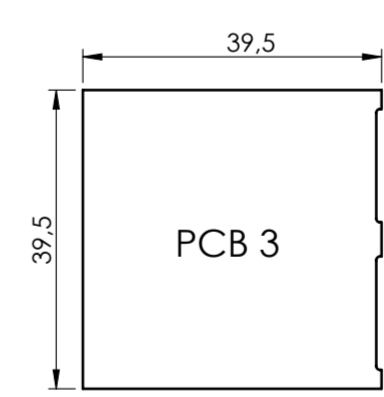


PCB1

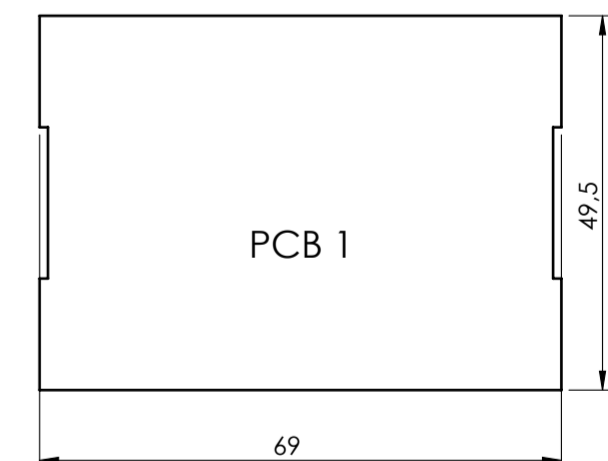
PCB2



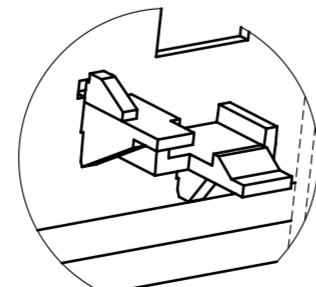
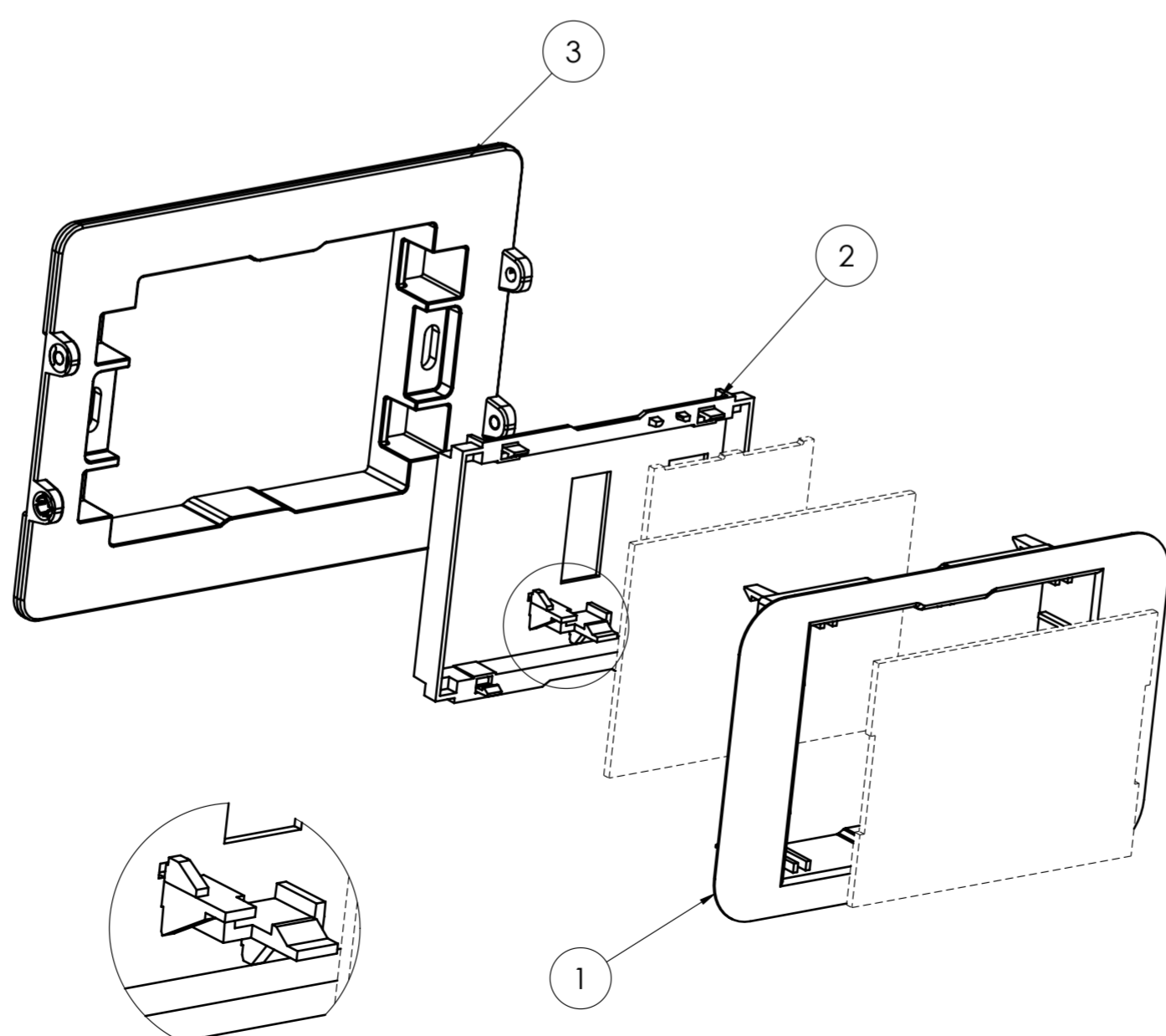
PCB 2



PCB 3



PCB 1



To use PCB3, assemble the hook

General information:  
 - Workpiece zero point for mechanical processing  
 - If not indicated machining radii min. R1

RIF.	Q.TY	DRAWING	DESCRIPTION
1	1	2_020_00008	ENCLOSURE FOR 503 H20/KNX
2	1	2_020_00005	REAR CLOSURE WITH HOOKS 503 H20
3	1	2_010_00002	ITOUCH BACK FRAME 80X120 FOR BOX 503

General Tolerance UNI EN 22768/1 Media (m)					Sheet:
from 0.5 to 3	from 3 to 6	from 6 to 30	from 30 to 120	from 120 to 400	1
± 0.1	± 0.1	± 0.2	± 0.3	± 0.5	
Scale:	Drawn:	Checked:	Date:	Material:	Process:
1:1	R.N.	R.N.	01/03/2023		
Dimension in mm	Derived from:		Weight:	Cod. Mold:	
	---		gr	--	

 enclosures for electronics italtronic.com	Description:		Rev.:
	KIT PLACCA POSTERIORE PER SCATOLA 503 H20 REAR PLATE KIT FOR 503 H20 BOX		
Drawing nr.:		3_010_00005	