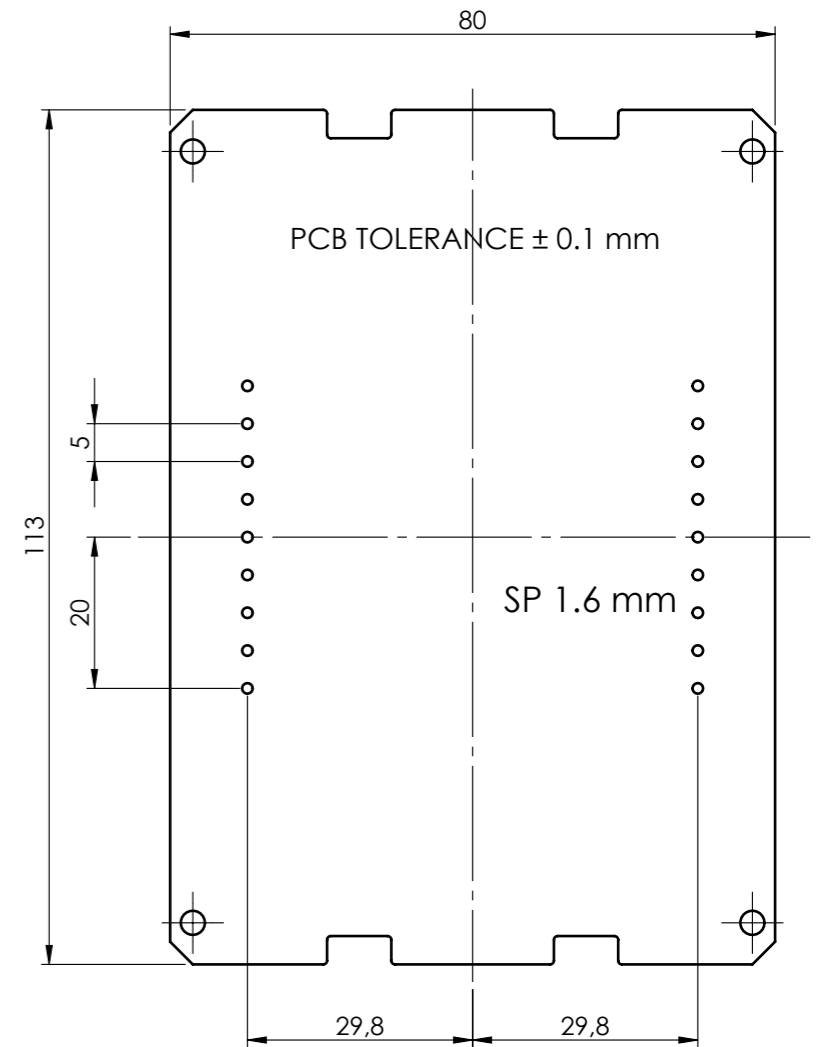
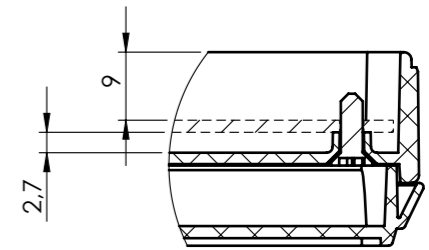
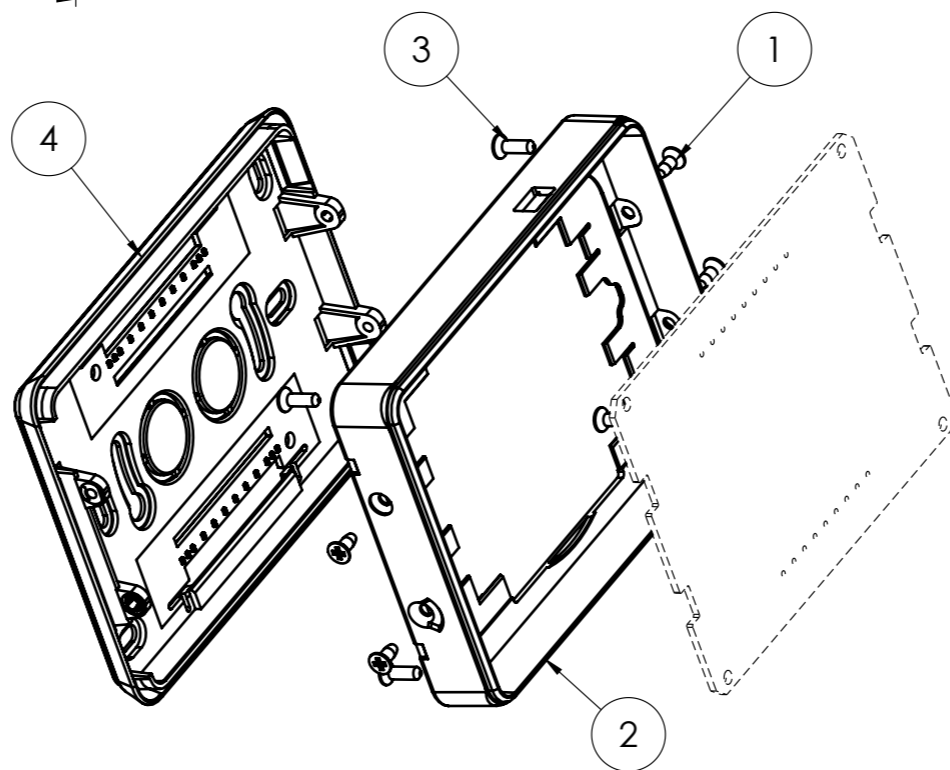


SECTION A-A



RIF.	Q.TY	DRAWING	DESCRIPTION
1	4	8_100_00025	SCREW d 2,9 x 6,5 TS+
2	1	2_010_00061	BASE 80X120 H15 WITH CSF CLAMP MACHINING
3	4	8_100_00043	SCREW d 2,9 x 9,5 TS+
4	1	2_010_00048	REAR PLATE FOR CSF CLAMP

General Tolerance UNI EN 22768/1 Media (m)					Sheet:
from 0.5 to 3	from 3 to 6	from 6 to 30	from 30 to 120	from 120 to 400	1
± 0.1	± 0.1	± 0.2	± 0.3	± 0.5	
Scale:	Drawed:	Checked:	Date:	Material:	Process:
1:1	R.N.	R.N.	25/03/2023		
Dimension in mm	The present drawing cannot be reproduced or communicated to 3rd parties, even partially, without the authorization of ITALTRONIC S.p.A. Italtronic reserves to protect its own rights according to the law.			Weight:	Cod. Mold:
	--			gr	--

italtronic
enclosures for electronics
italtronic.com

Description:
KIT CONTENITORE ITOUCH CSF H15
ITOUCH CSF H15 ENCLOSURE KIT

Drawing nr.: **3_010_00029**

Rev.: 00 A3