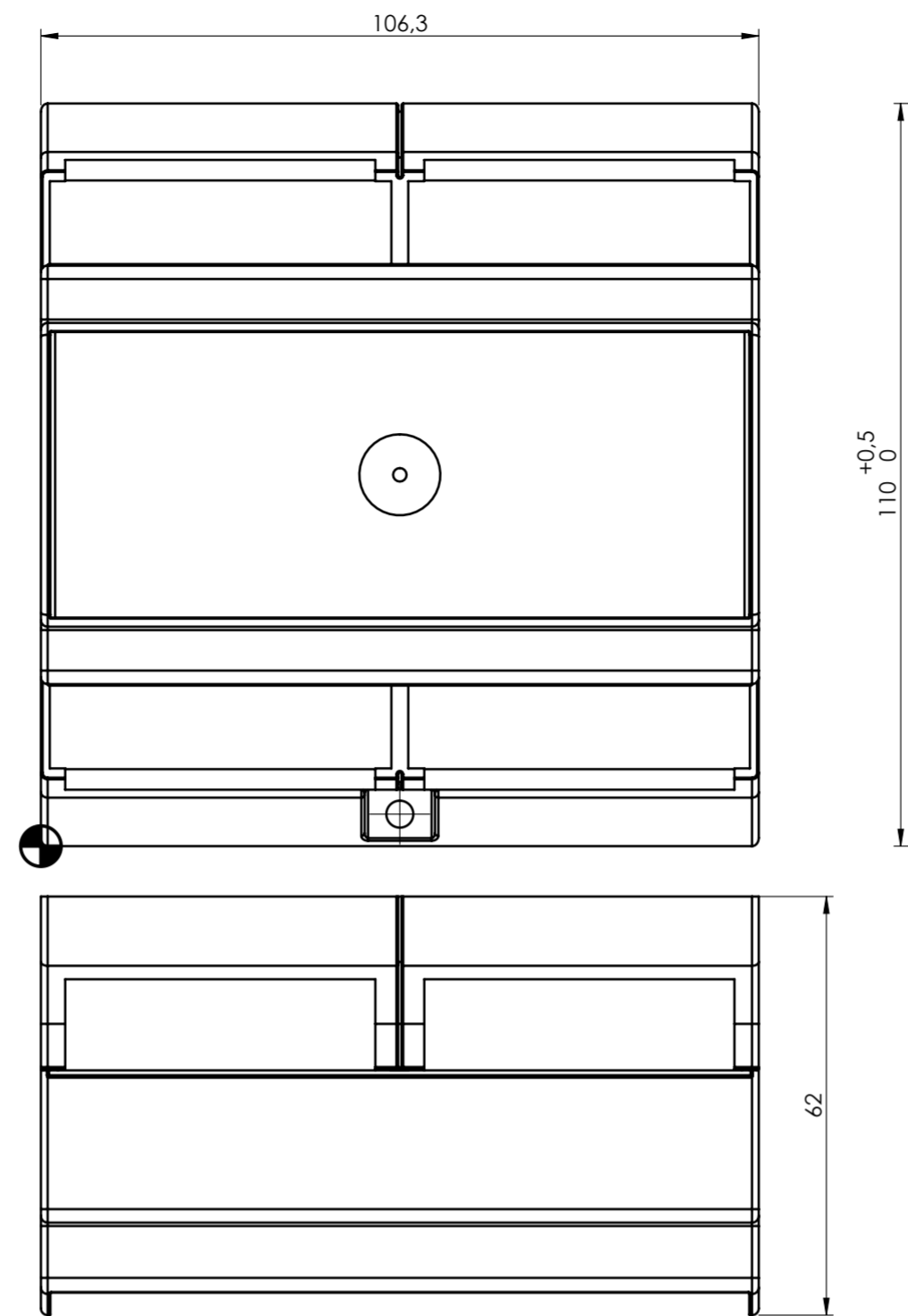
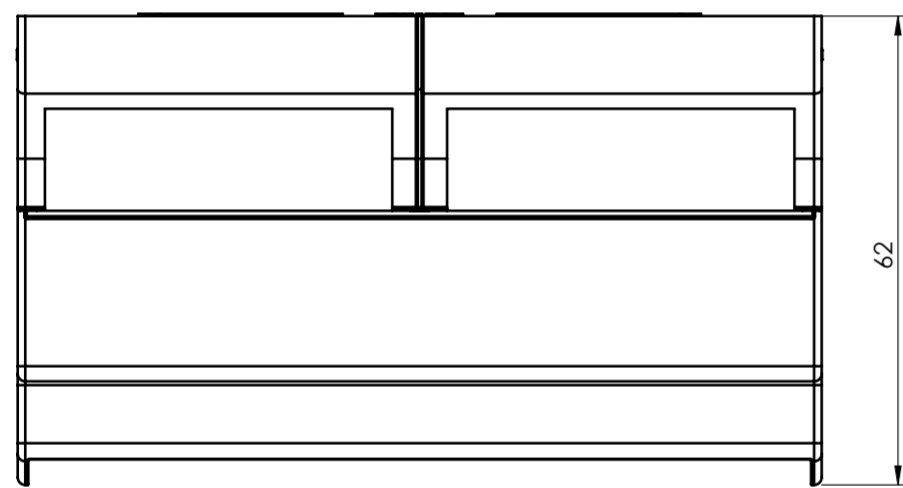
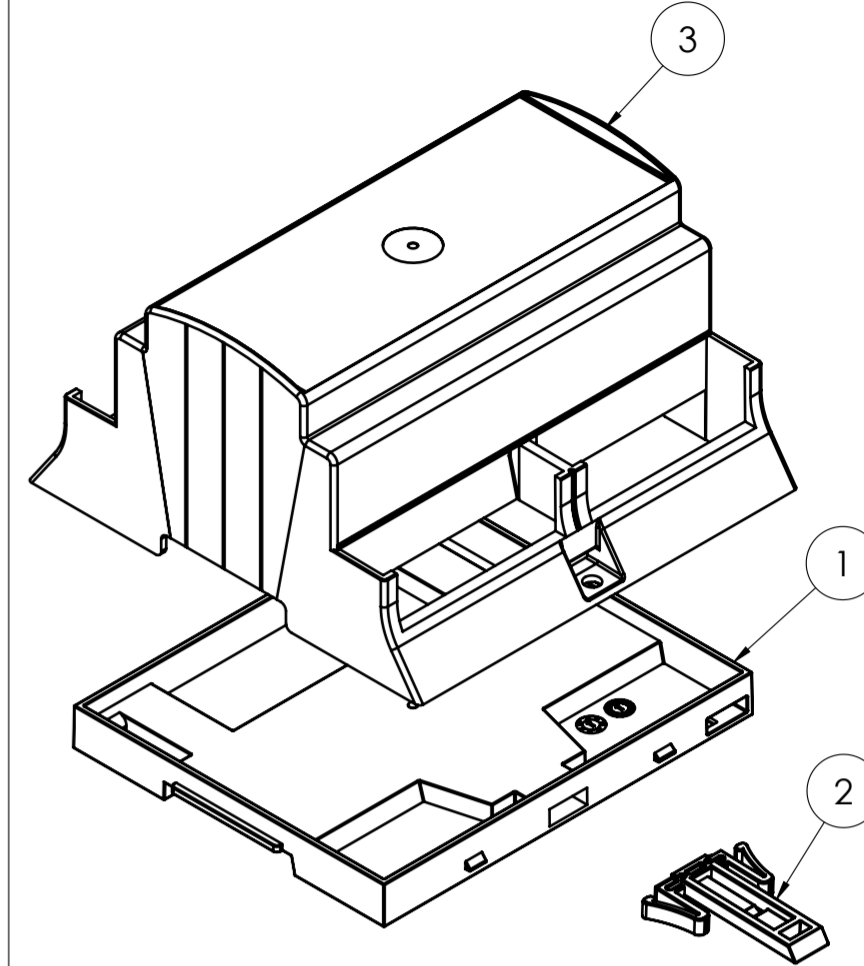


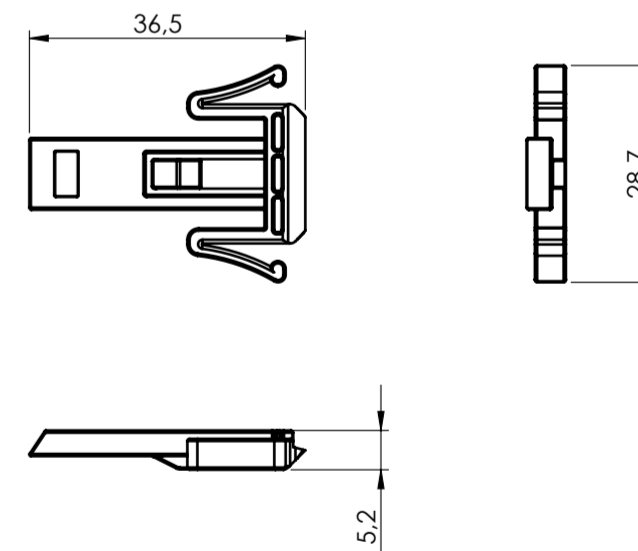
SECTION A-A



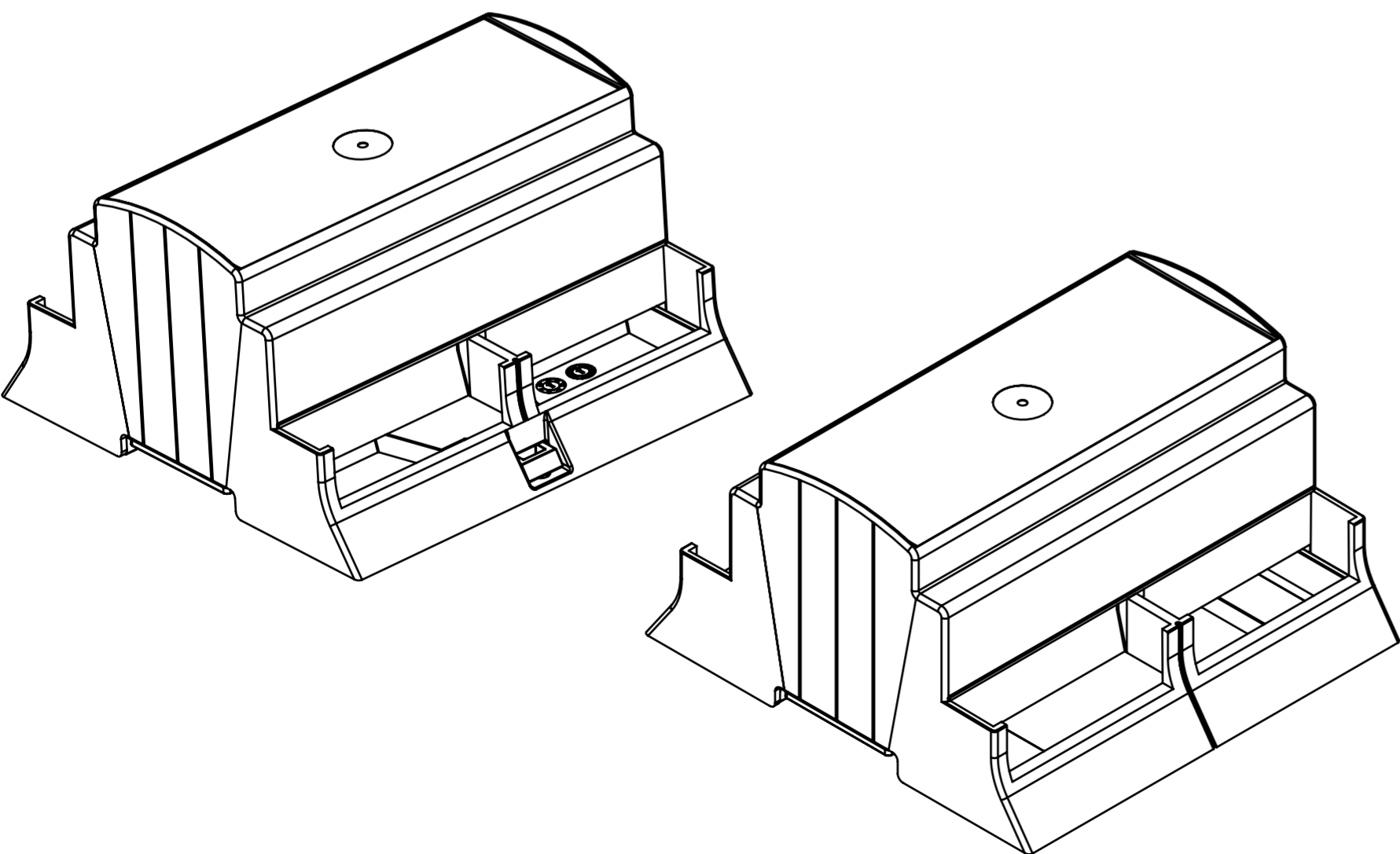
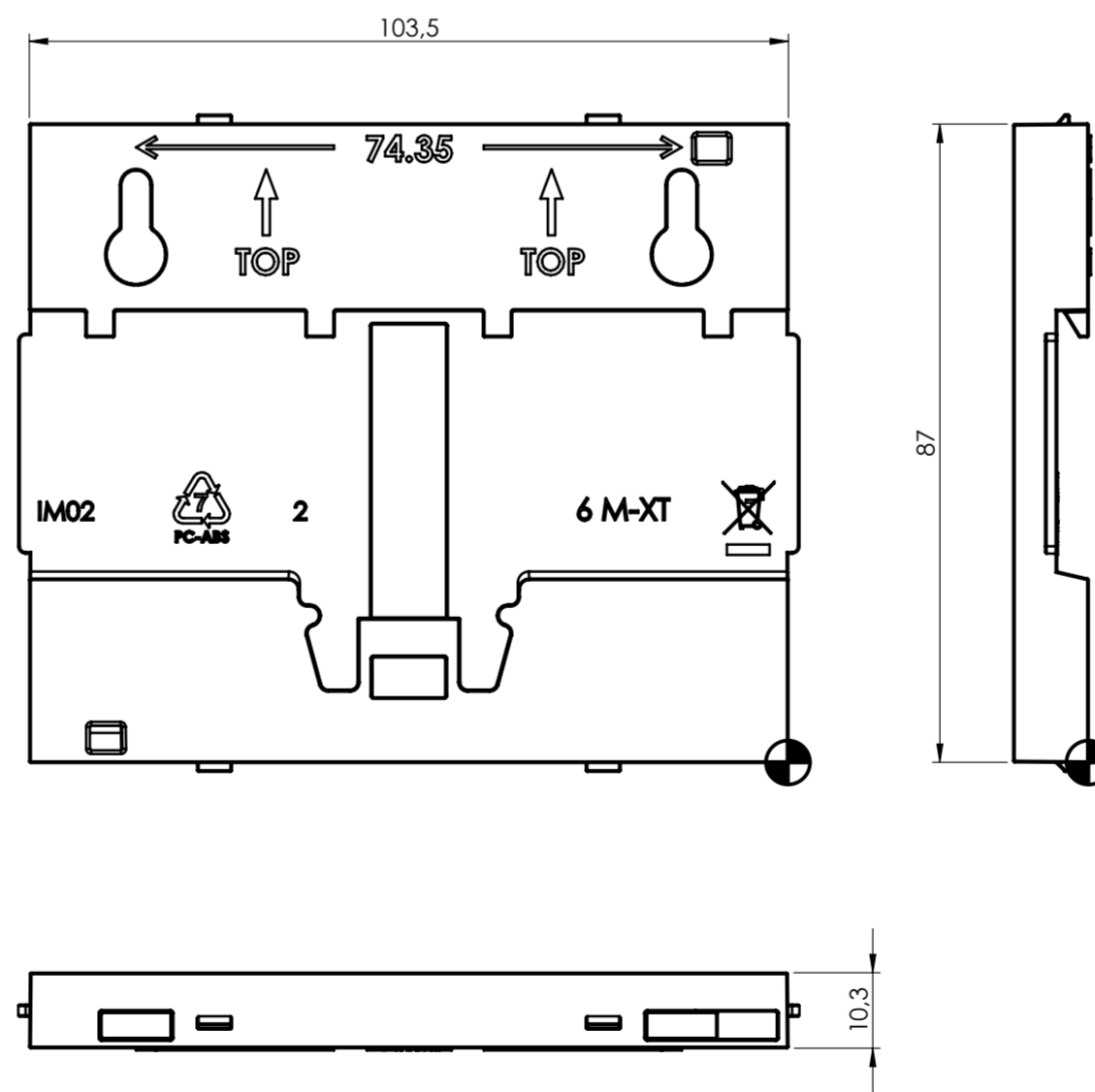
BODY ENCLOSURE



HOOK



BASE



General information:
 - Workpiece zero point for mechanical processing
 - Minimum recommended radius for machining = R1.0 mm
 - Mounting rail like EN 60715: TH 35-15
 - Recommended PCB outline on www.italtronic.com

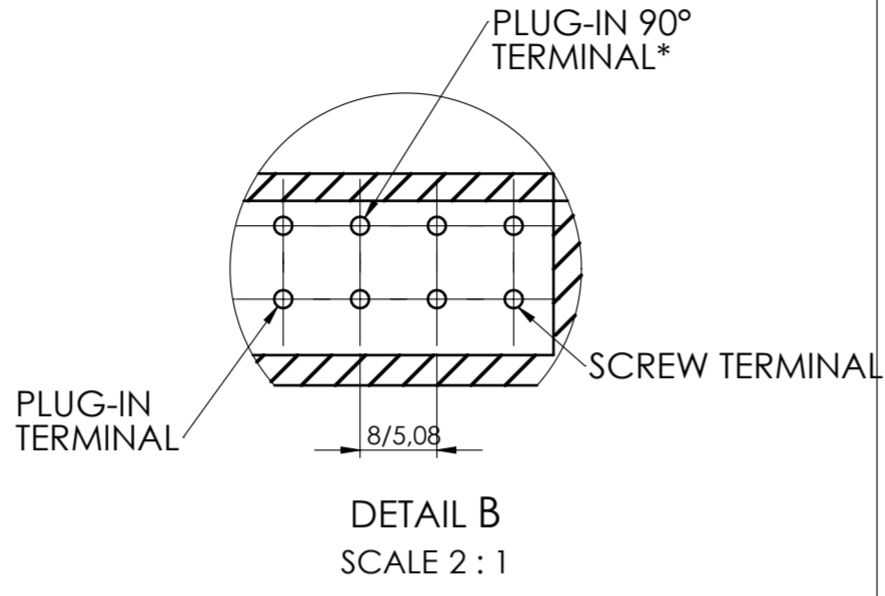
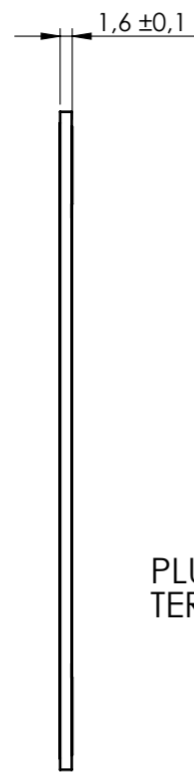
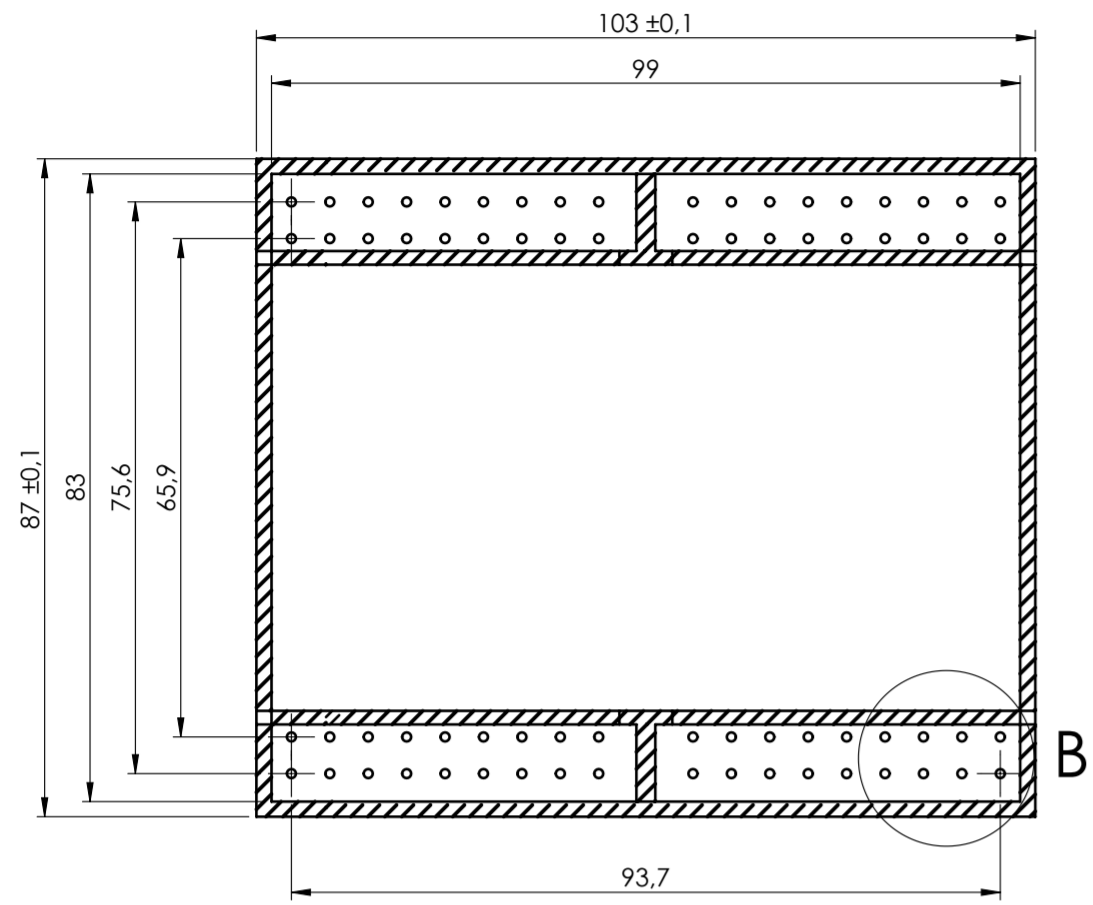
RIF.	Q.TY	DRAWING	DESCRIPTION
1	1	2_250_00137	BASE MODULBOX XT/XTS - 6M
2	1	2_250_00072	HOOK FOR MODULBOX XT-XTS
3	1	2_250_03886	BODY ENCLOSURE MODULBOX XT 6MCS3-A

General Tolerance UNI EN 22768/1 Media (m)					Sheet:
from 0.5 to 3 ± 0.1	from 3 to 6 ± 0.1	from 6 to 30 ± 0.2	from 30 to 120 ± 0.3	from 120 to 400 ± 0.5	1
Scale: IM:	Drawn: F.E.	Checked: R.N.	Date: 11/10/2024	Material:	Process:
1:1	--	--	--	--	--
Dimension in mm		Replaces the: M-04098	Derived from:	Weight: gr	Cod. Mold: --

 enclosures for electronics italtronic.com		Description: KIT CONTENITORE MODULBOX XT 6MCS3-A KIT ENCLOSURE MODULBOX XT 6MCS3-A Drawing nr.: 3_250_00216	Rev.: 00 A2
--	--	---	-----------------------

PCB A

Max height of the terminal:
 Modulbox XT/XTS: 18.5 mm
 Modulbox ONE: 20 mm



General Tolerance UNI EN 22768/1 Media (m)					Sheet:
from 0.5 to 3 ± 0.1	from 3 to 6 ± 0.1	from 6 to 30 ± 0.2	from 30 to 120 ± 0.3	from 120 to 400 ± 0.5	PCB
Scale:	Drawn:	Checked:	Date:	Material:	Process:
1:1	F.E.	R.N.	11/10/2024		
Dimension in mm		Derived from:	Weight:	Cod. Mold:	
			gr	--	
		Description: KIT CONTENITORE MODULBOX XT 6MC53-A KIT ENCLOSURE MODULBOX XT 6MC53-A			
		Drawing nr.:	Rev.:		
		3_250_00216	00	A2	

NO COMPONENTS AREA