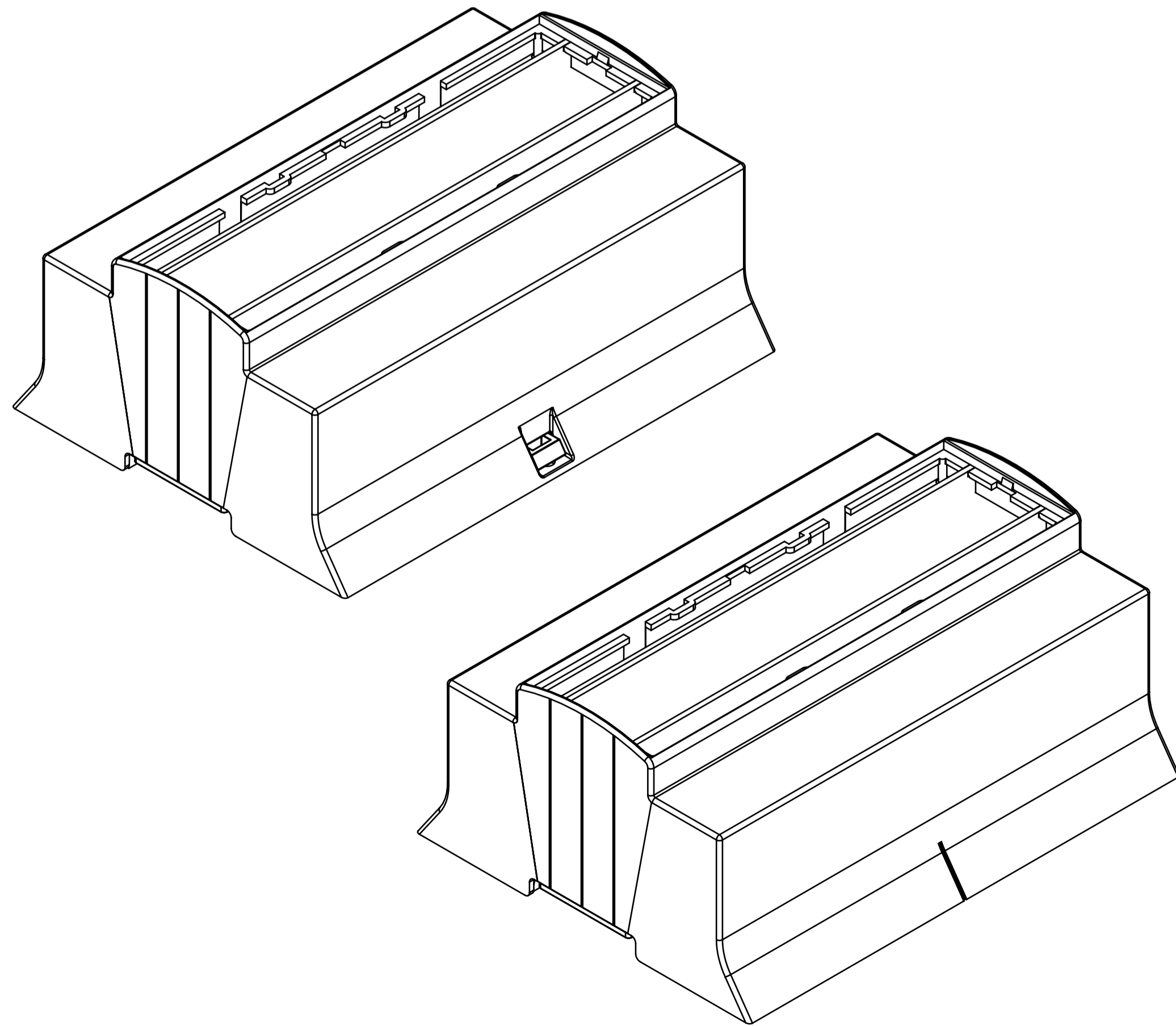
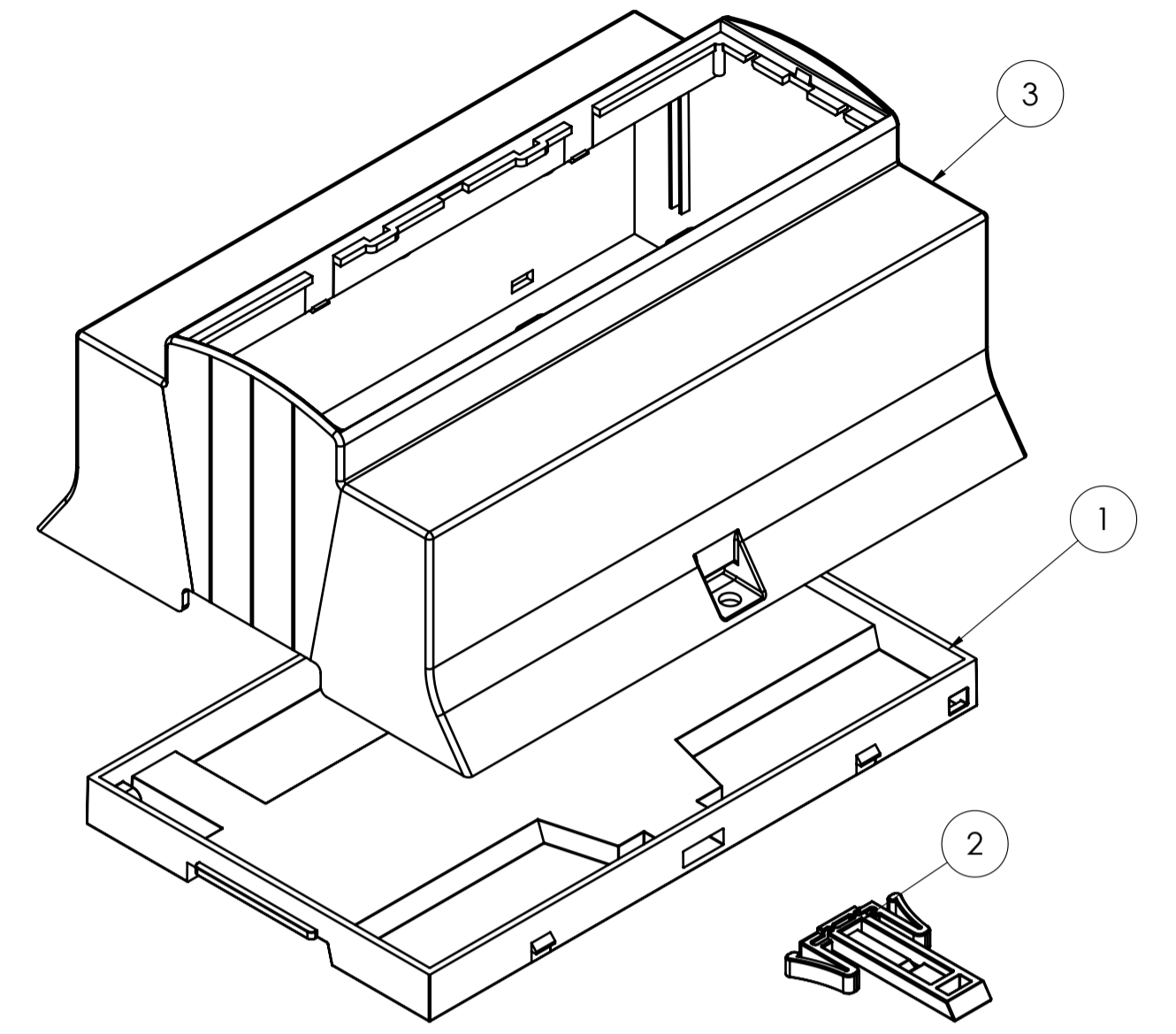
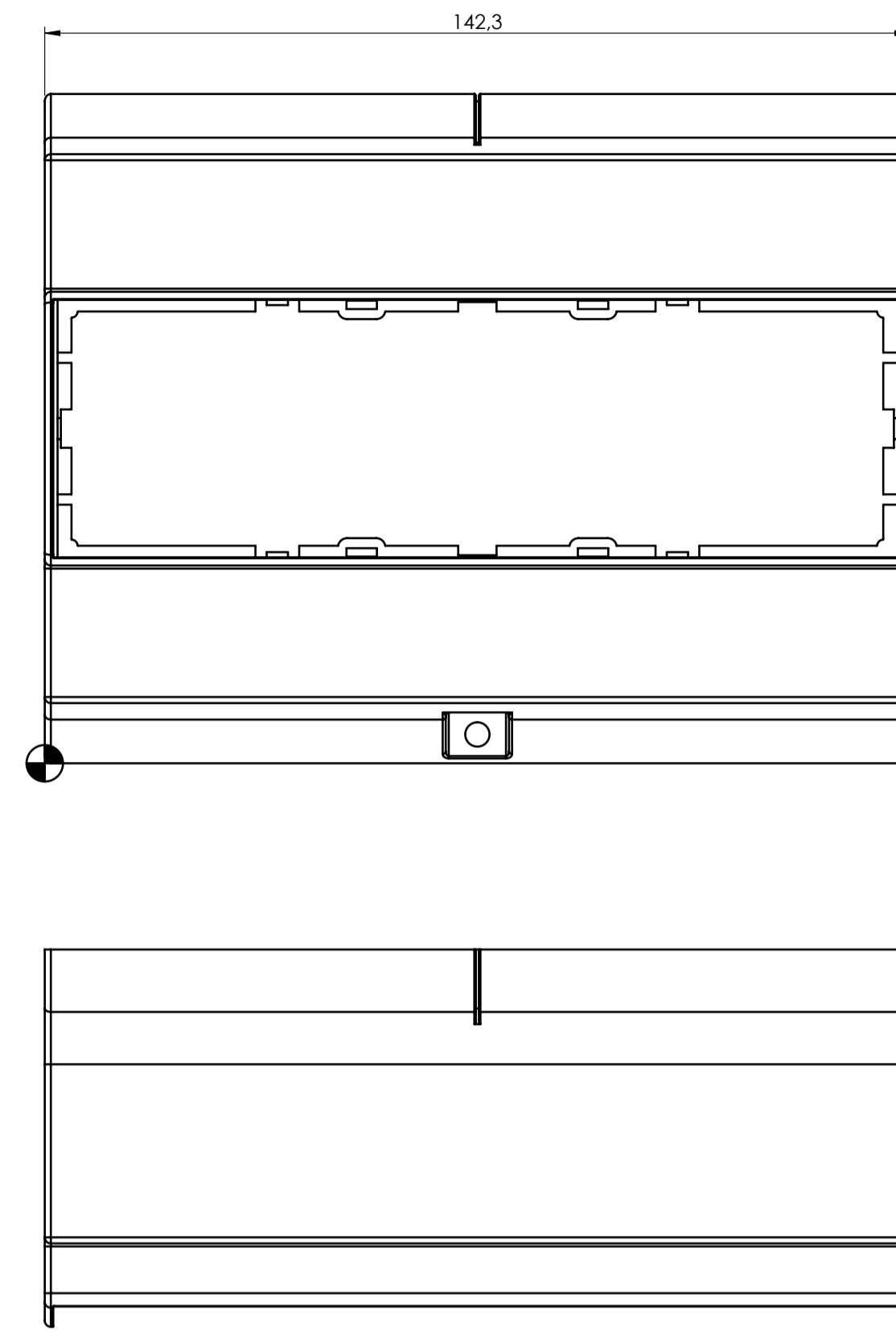
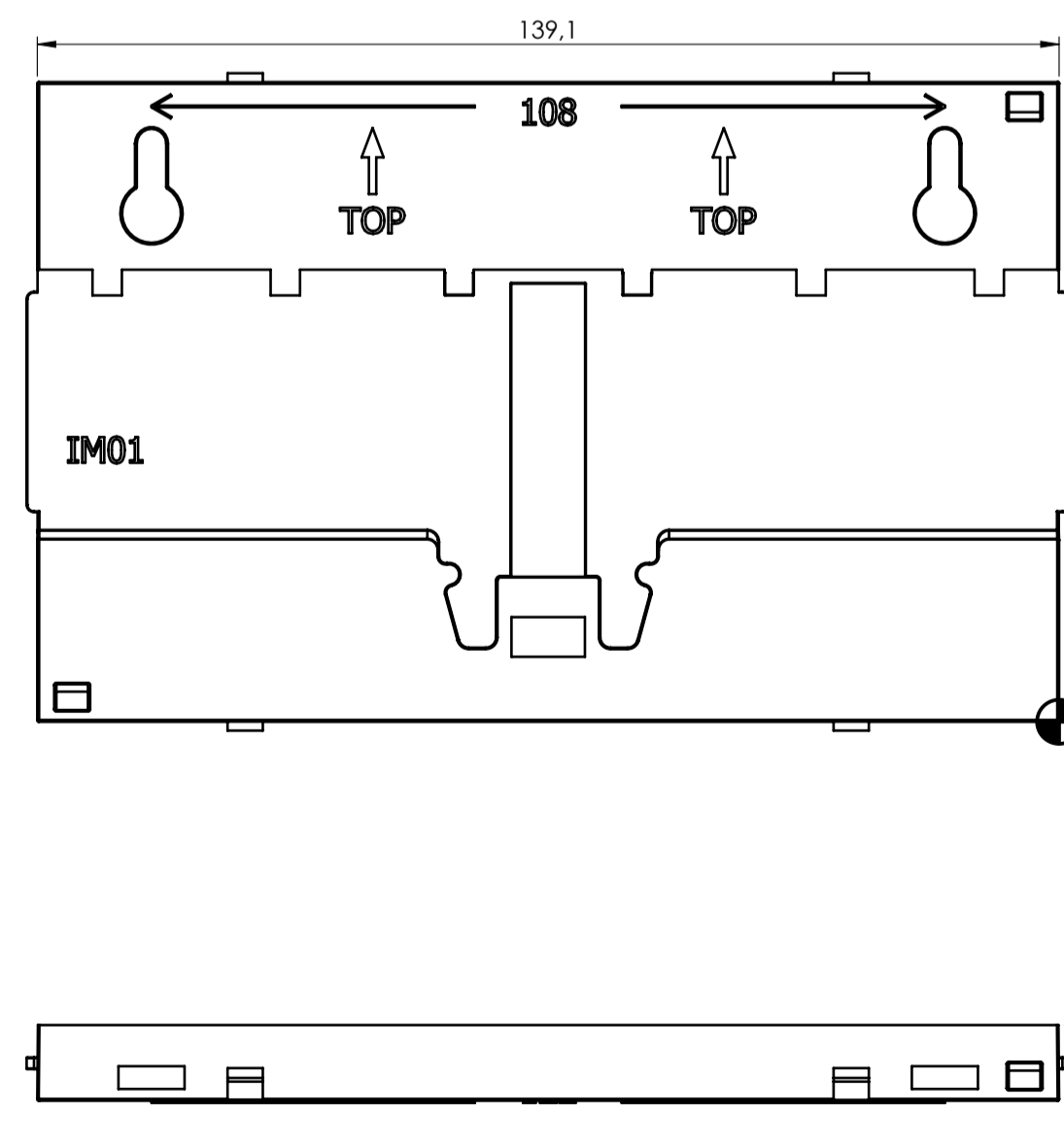


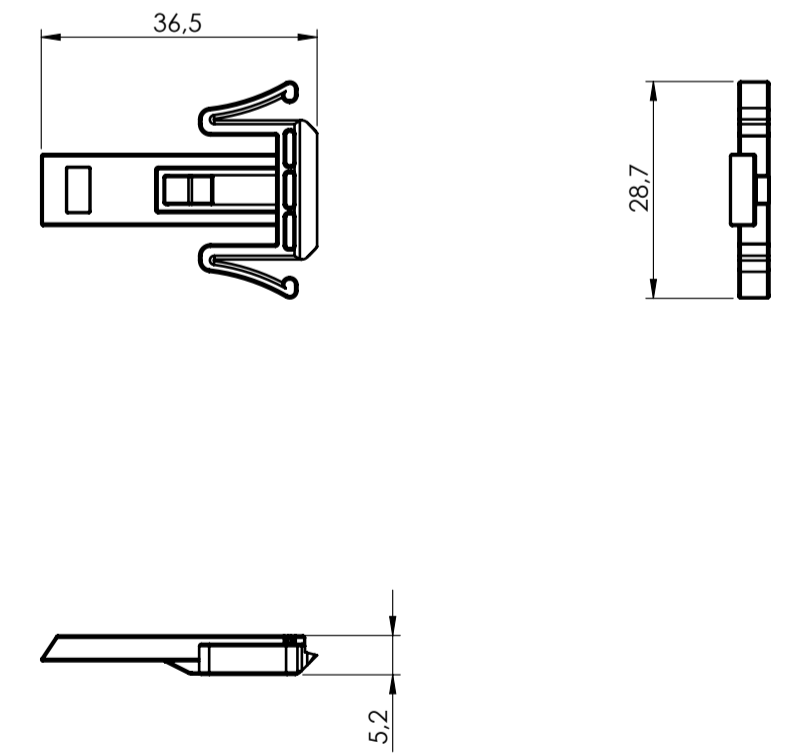
BODY ENCLOSURE



BASE



HOOK



General information:
 - Workpiece zero point for mechanical processing
 - Minimum recommended radius for machining = R1.0 mm
 - Mounting rail like EN 60715; TH 35-15
 - Recommended PCB outline on www.italtronic.com

RIF.	Q.TY	DRAWING	DESCRIPTION
1	1	2_250_03649	BASE MODULBOX XT/XTS - 8M
2	1	2_250_00072	HOOK FOR MODULBOX XT/XTS
3	1	2_250_03894	BODY ENCLOSURE MODULBOX XT 8MS3-C

Dimension in mm	from 0.5 to 3	from 3 to 6	from 6 to 30	from 30 to 120	from 120 to 400	Sheet
General Tolerances (UNE EN 22768/1) Medio [mm]	±0.1	±0.1	±0.2	±0.3	±0.5	1

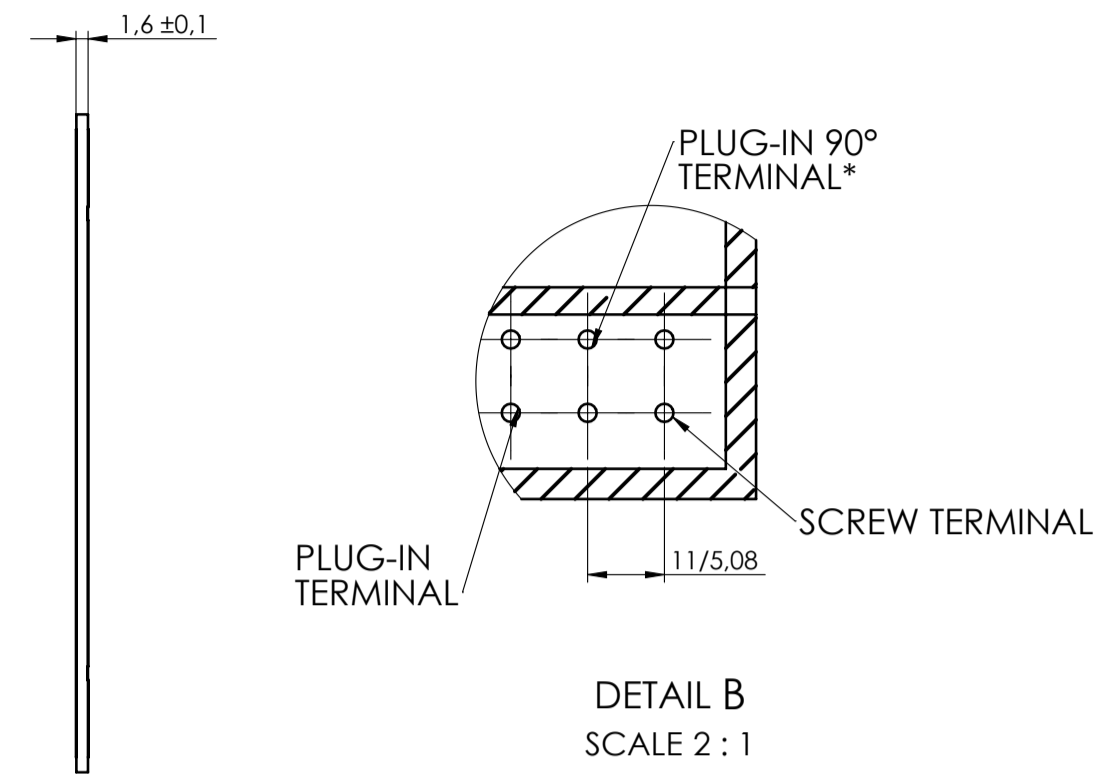
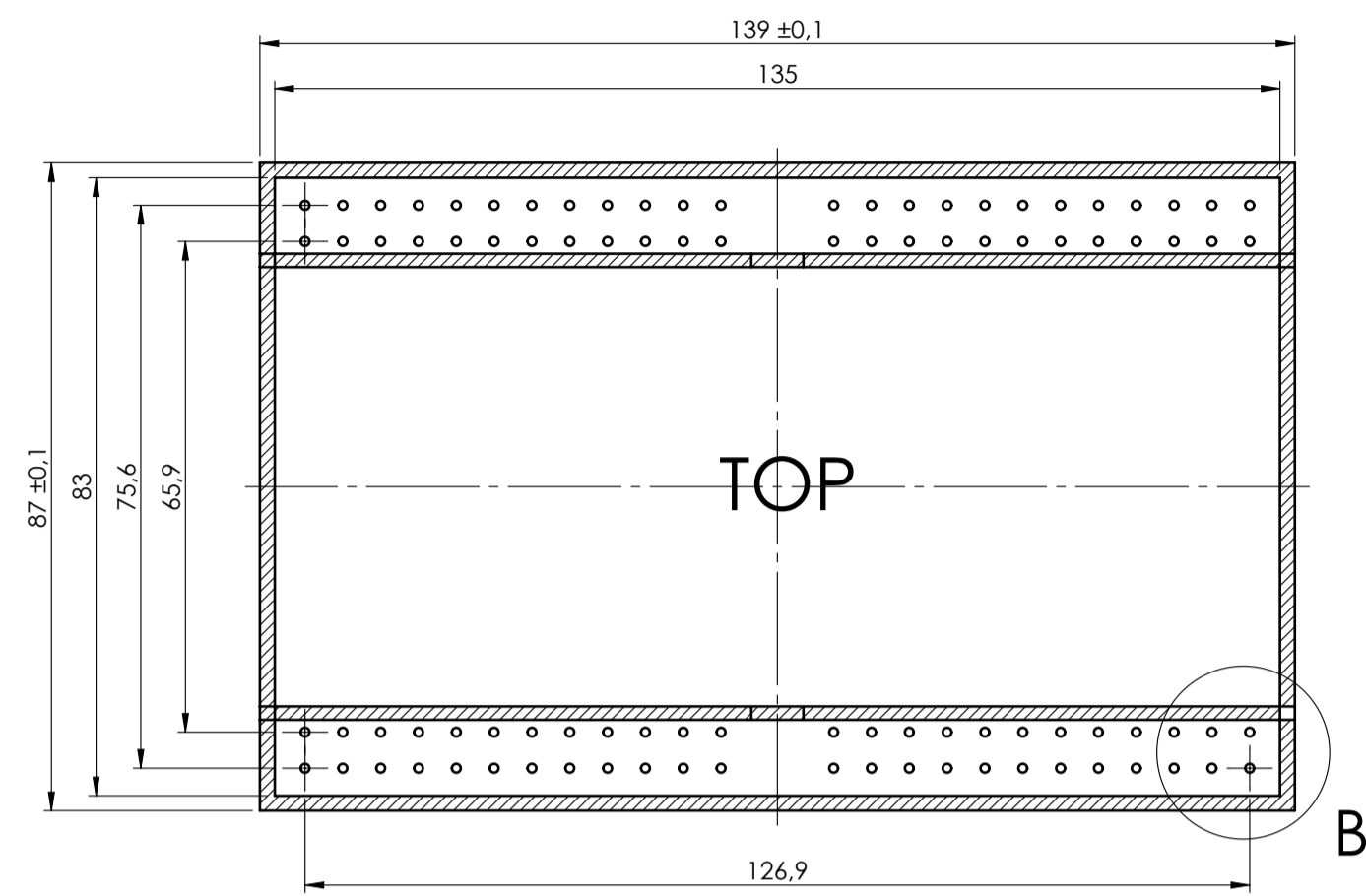
Scale:	Drawn:	Checked:	Date:	Material:	Process:
1:1	R.N.	R.N.	21/02/2023	PC/ABS	INJECTION

Weight:	Cod. Mold:	Rev.:
36.24 gr	ST.0512500	-

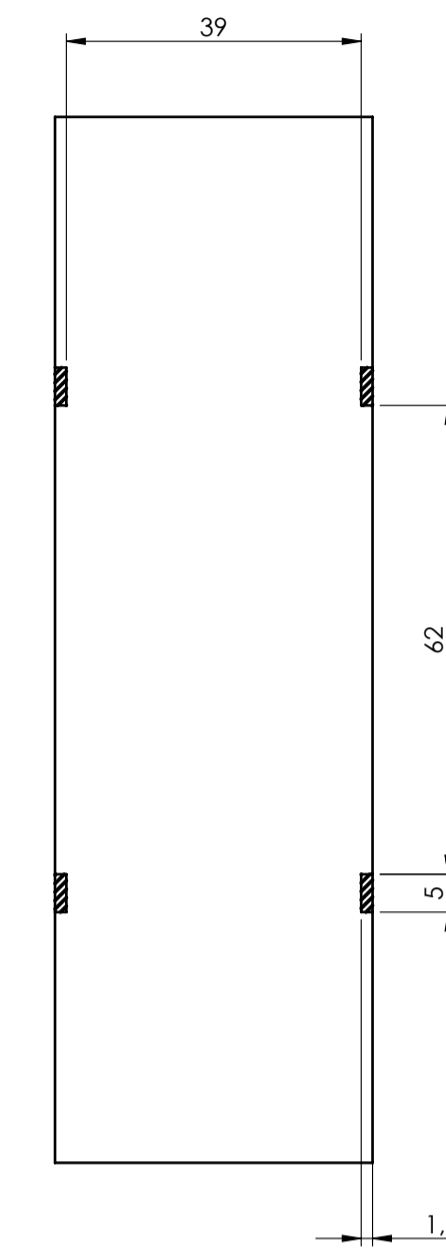
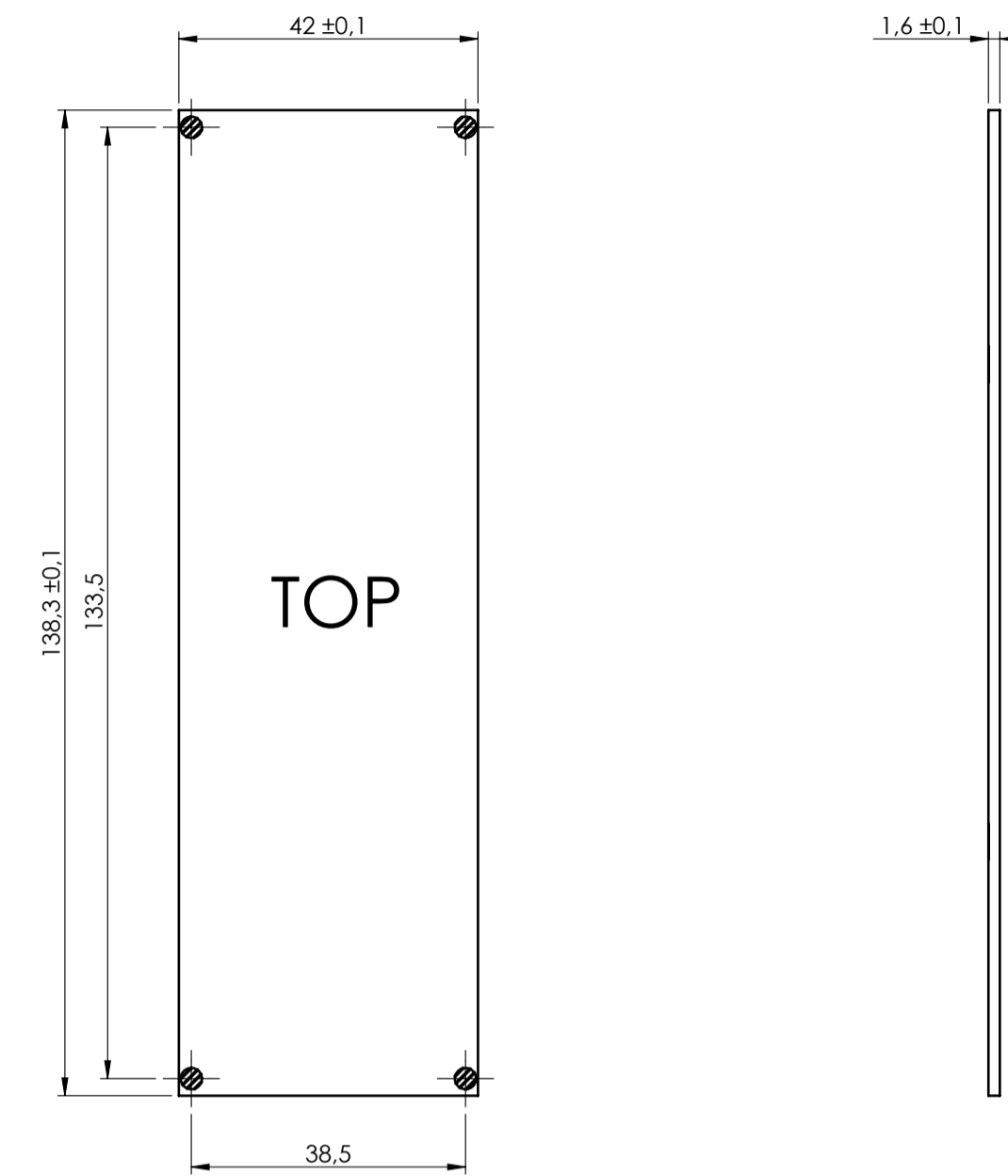
Description:	Drawing ref.	Rev.:
BASE MODULBOX XT/XTS - 8M BASE MODULBOX XT/XTS - 8M	2_250_03649	A1

Max height of the terminal:
 Modulbox XT/XTS: 18.5 mm
 Modulbox ONE: 20 mm

PCB A

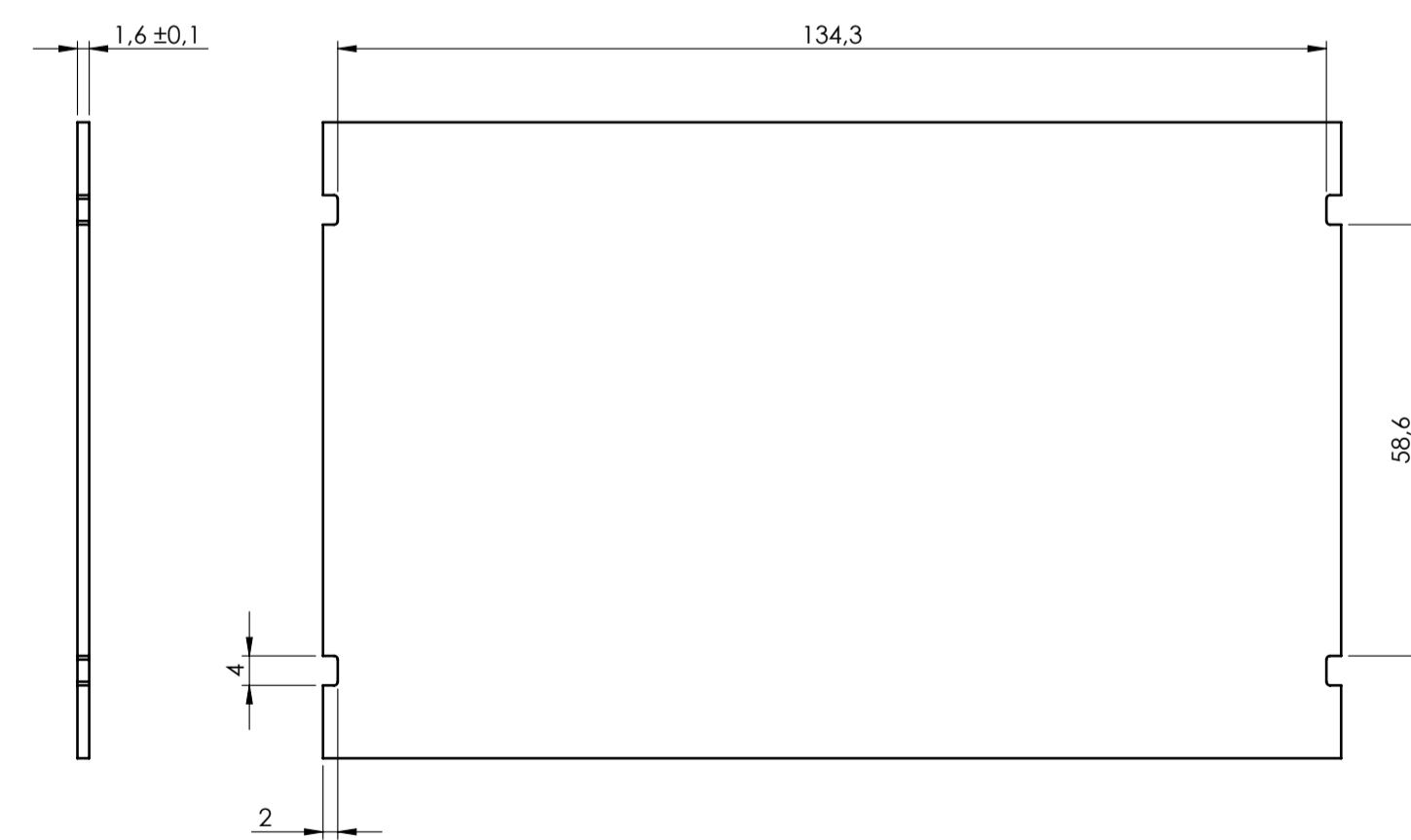
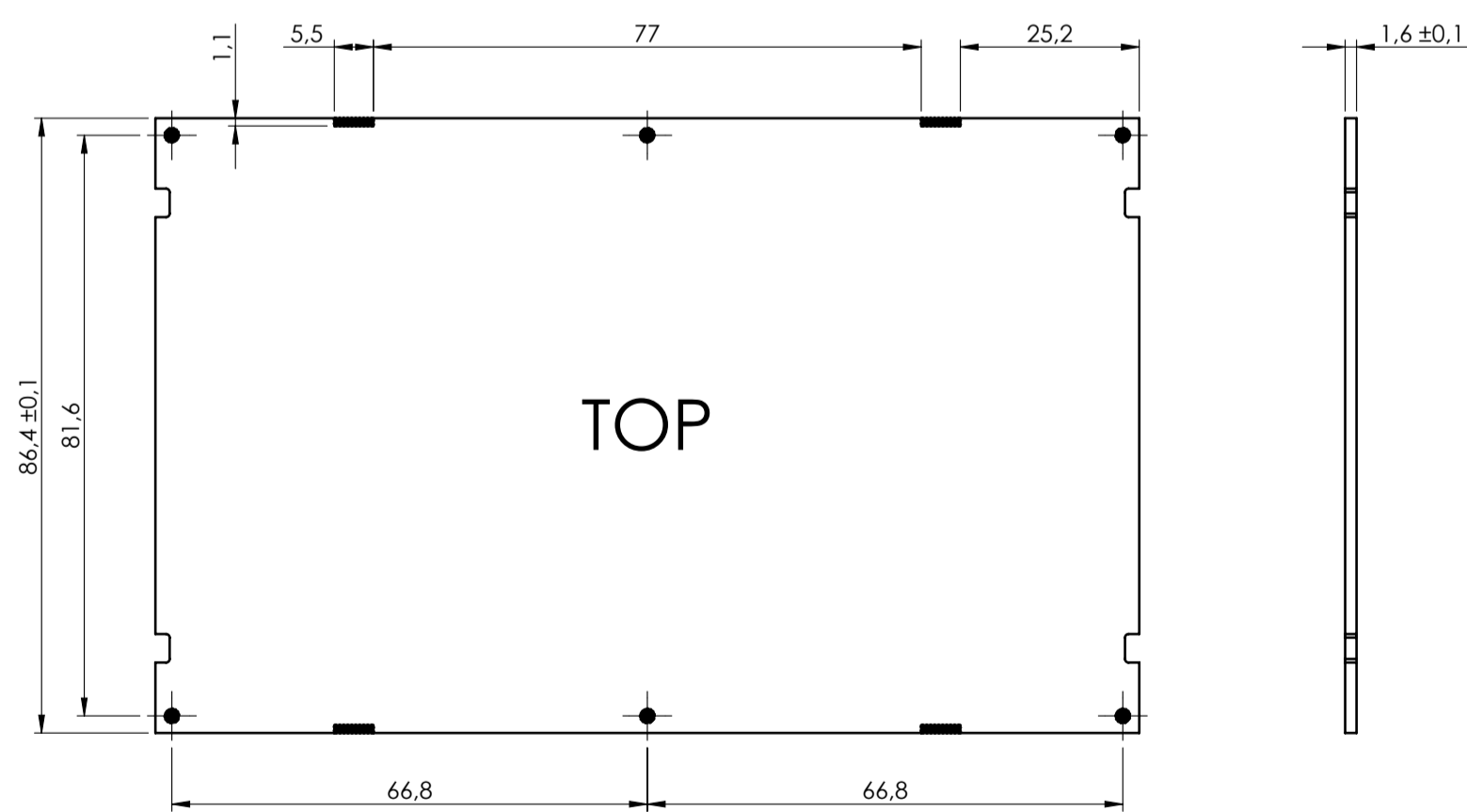


PCB C

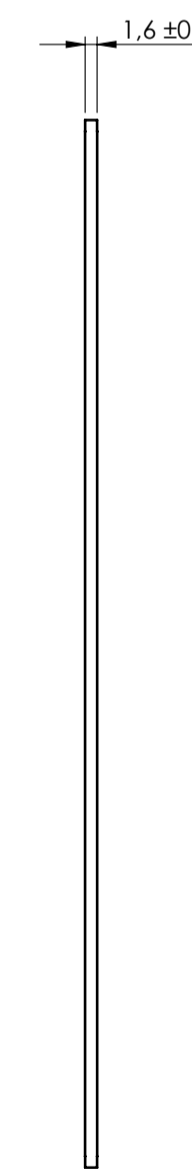
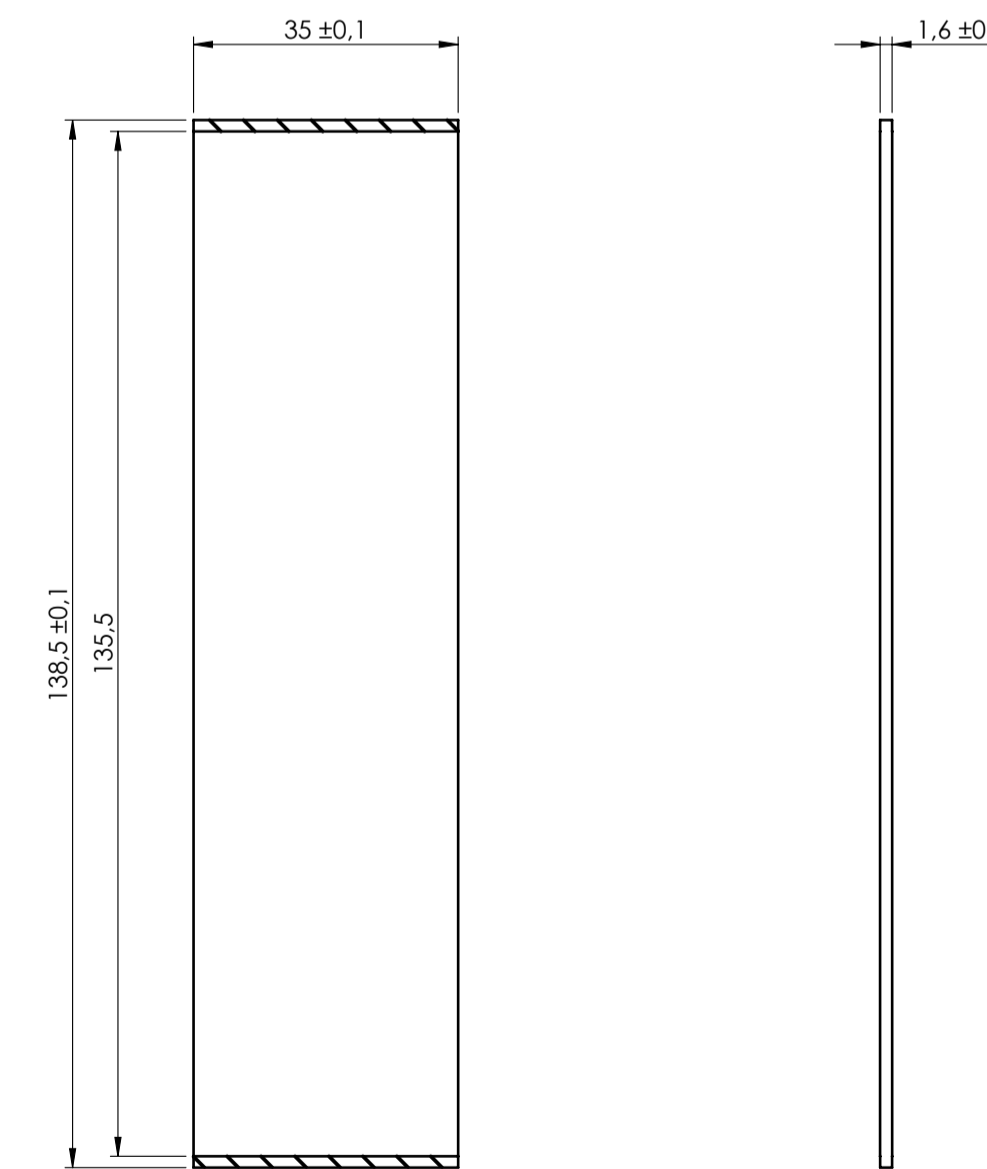


*To use the PLUG-IN terminals in Modulbox ONE use plug-in adapter P05000003E (5/5.08 pitch) and P05000004E (7.5/7.62 pitch)

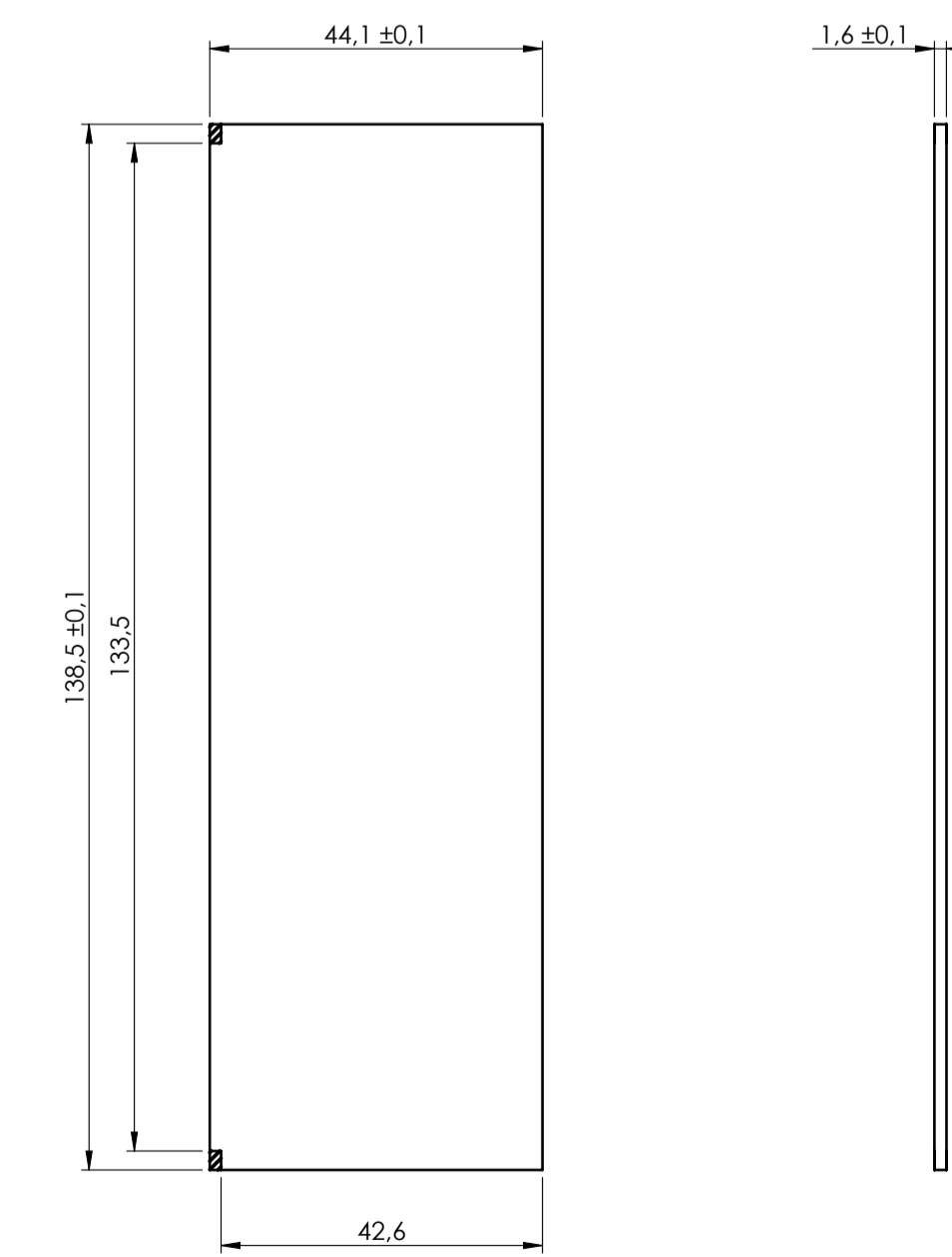
PCB B



PCB V1



PCB V2



General Tolerance IIR EN 22768/1 Media (m)				Sheet:	
from 0.5 to 3 ± 0.1	from 3 to 6 ± 0.1	from 6 to 30 ± 0.2	from 30 to 120 ± 0.3	from 120 to 400 ± 0.5	PCB
Scale:	Drawn:	Checked:	Date:	Material:	Process:
1:1	R.N.	R.N.	21/02/2023	PC/ABS	INJECTION
Dimension in mm	Derived from:		Weight:	Cod. Mold:	
	---		36.24 gr	ST.0512500	
Description:				Rev.:	
BASE MODULBOX XT/XTS - 8M BASE MODULBOX XT/XTS - 8M				-	
Drawing ref. 2_250_03649				A1	

NO COMPONENTS AREA



enclosures for electronics
 italtironi.com