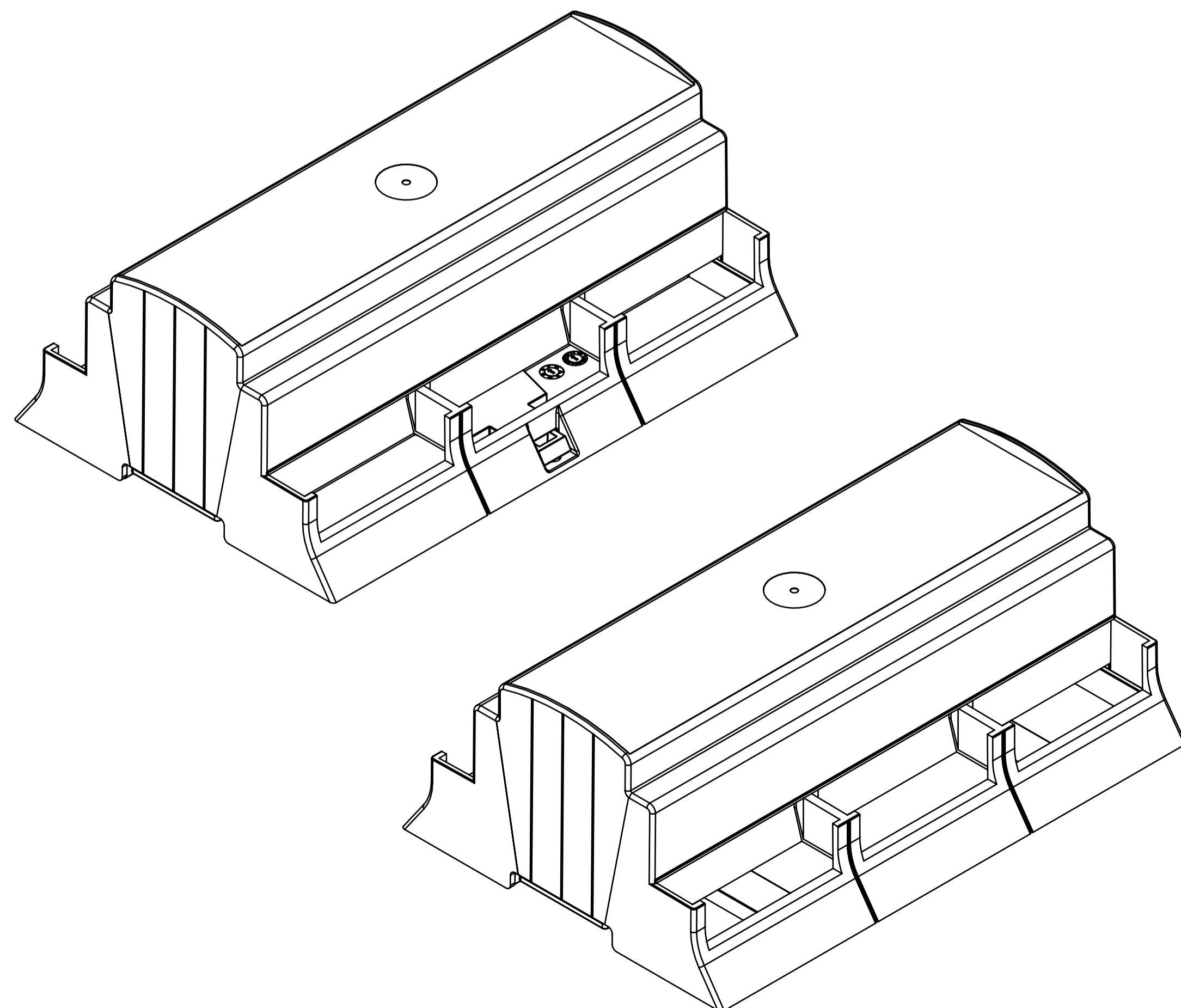
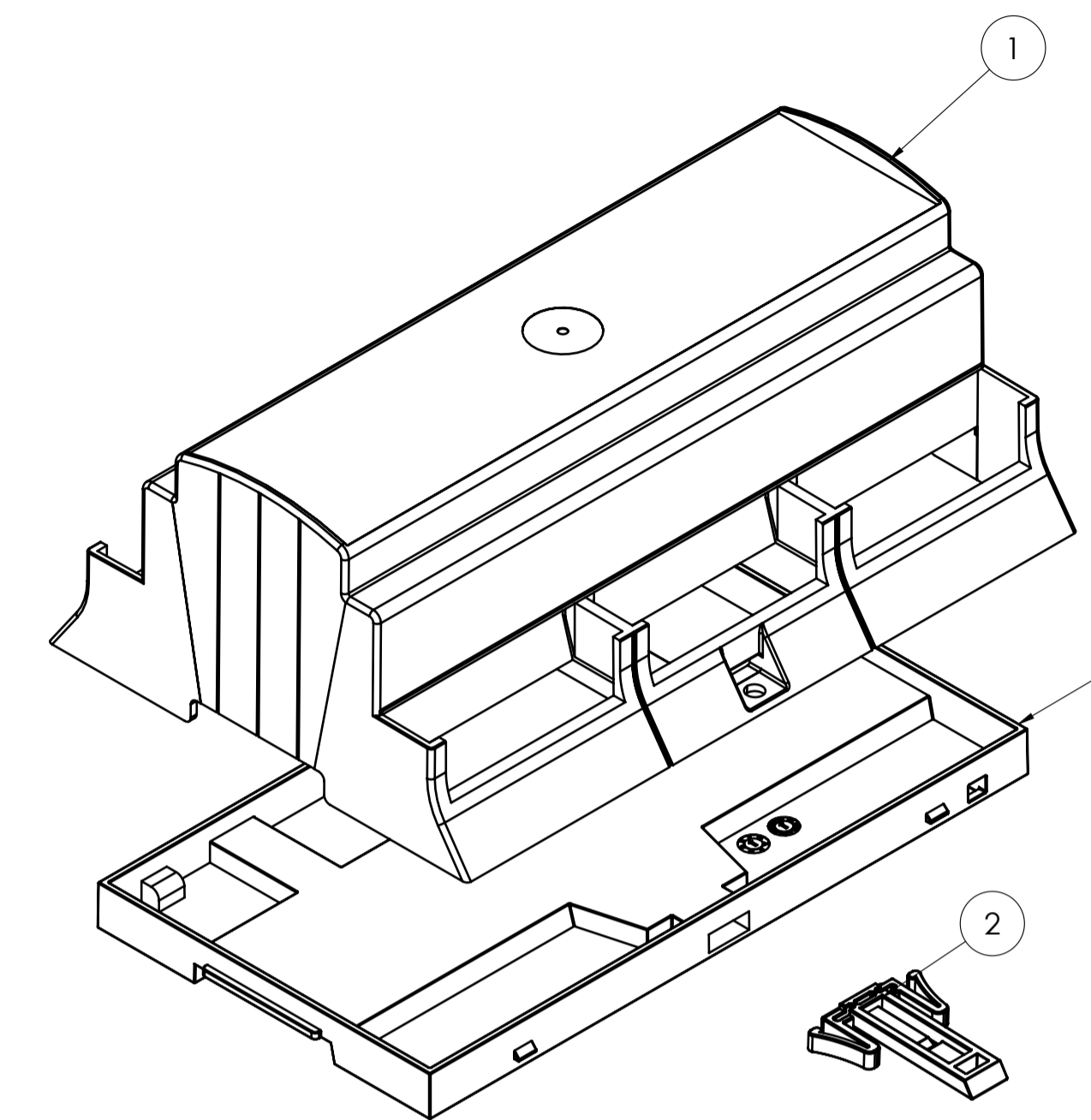
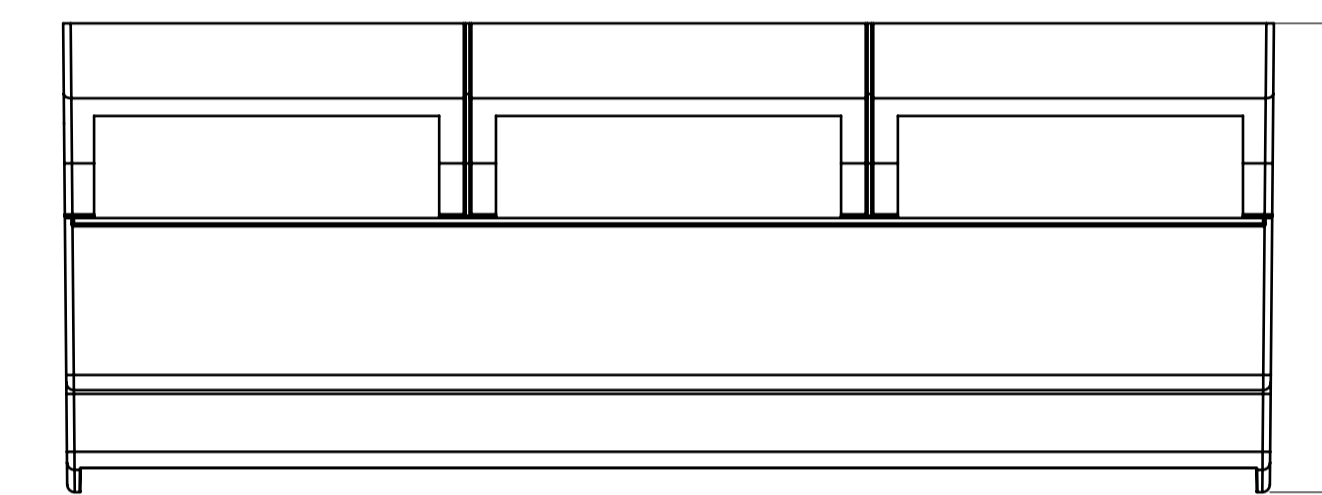
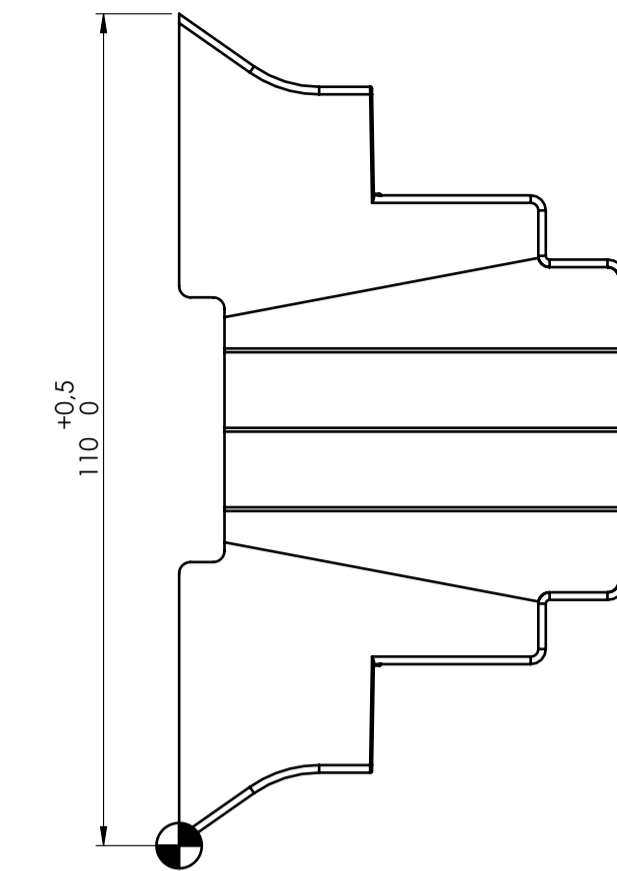
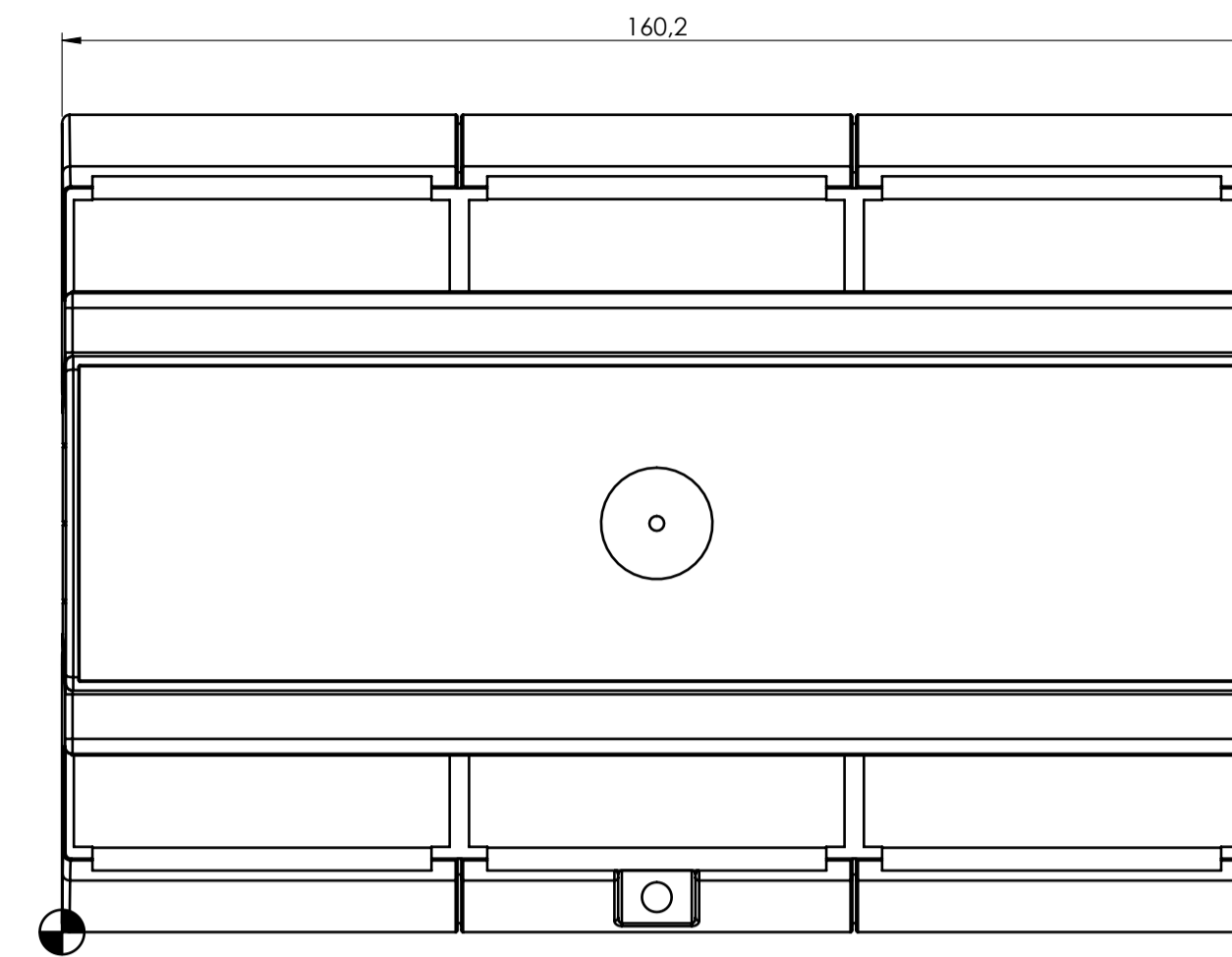
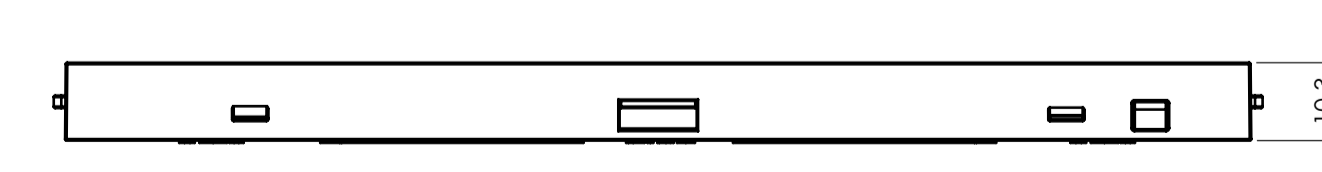
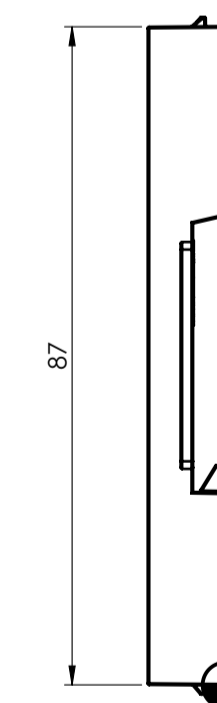
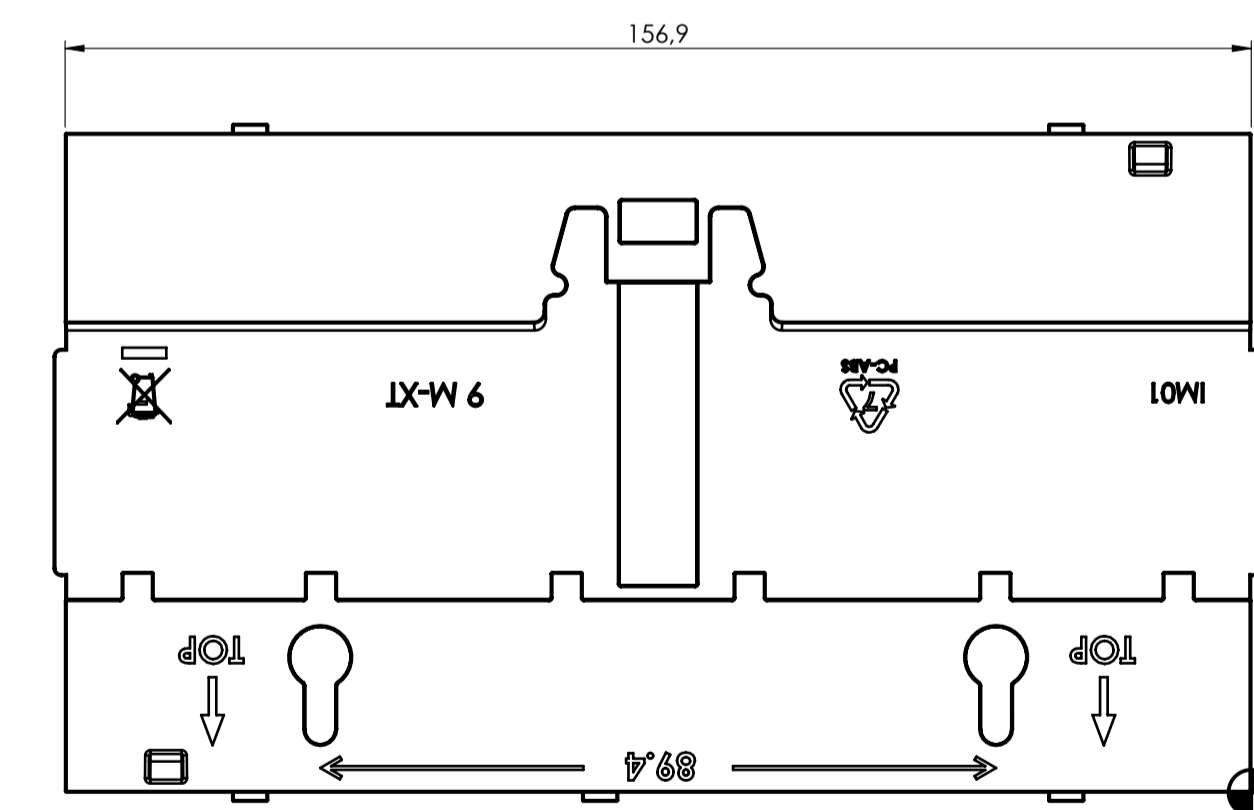


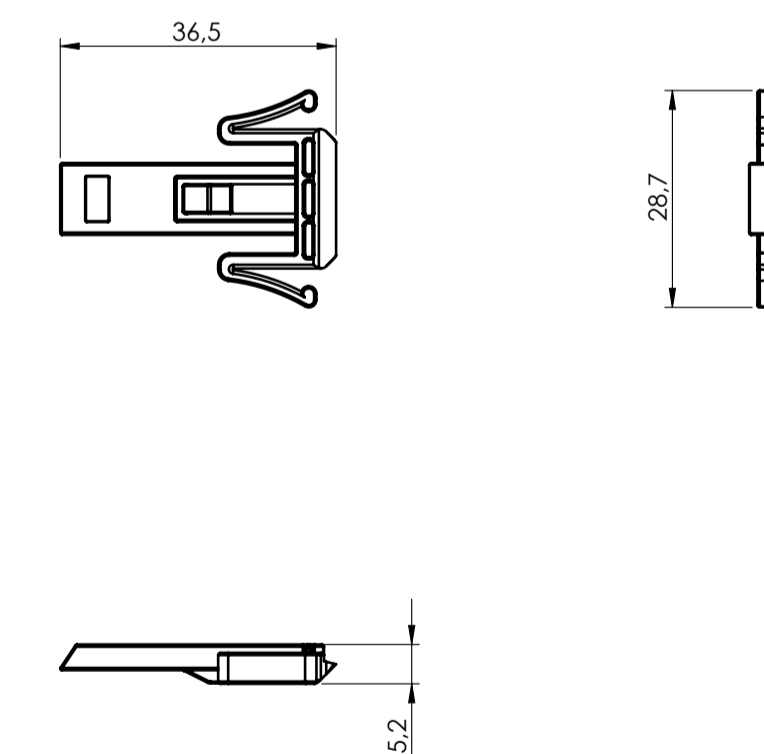
BODY ENCLOSURE



BASE



HOOK



General information:
 - Workpiece zero point for mechanical processing
 - Minimum recommended radius for machining = R1.0 mm
 - Mounting rail like EN 60715; TH 35-15
 - Recommended PCB outline on www.italtronic.com

RIF.	Q.TY	DRAWING	DESCRIPTION
1	1	2_250_03641	BODY ENCLOSURE MODULBOX XT 9MH53V-A
2	1	2_250_00072	HOOK FOR MODULBOX XT-XTS
3	1	2_250_00086	BASE 9M MODULBOX XT-XTS

Dimension in mm	General Tolerance (RIF EN 22768/1 Media III)
from 0.5 to 3	from 3 to 6
± 0.1	± 0.1
	from 6 to 30
	± 0.2
	from 30 to 120
	± 0.3
	from 120 to 400
	± 0.5

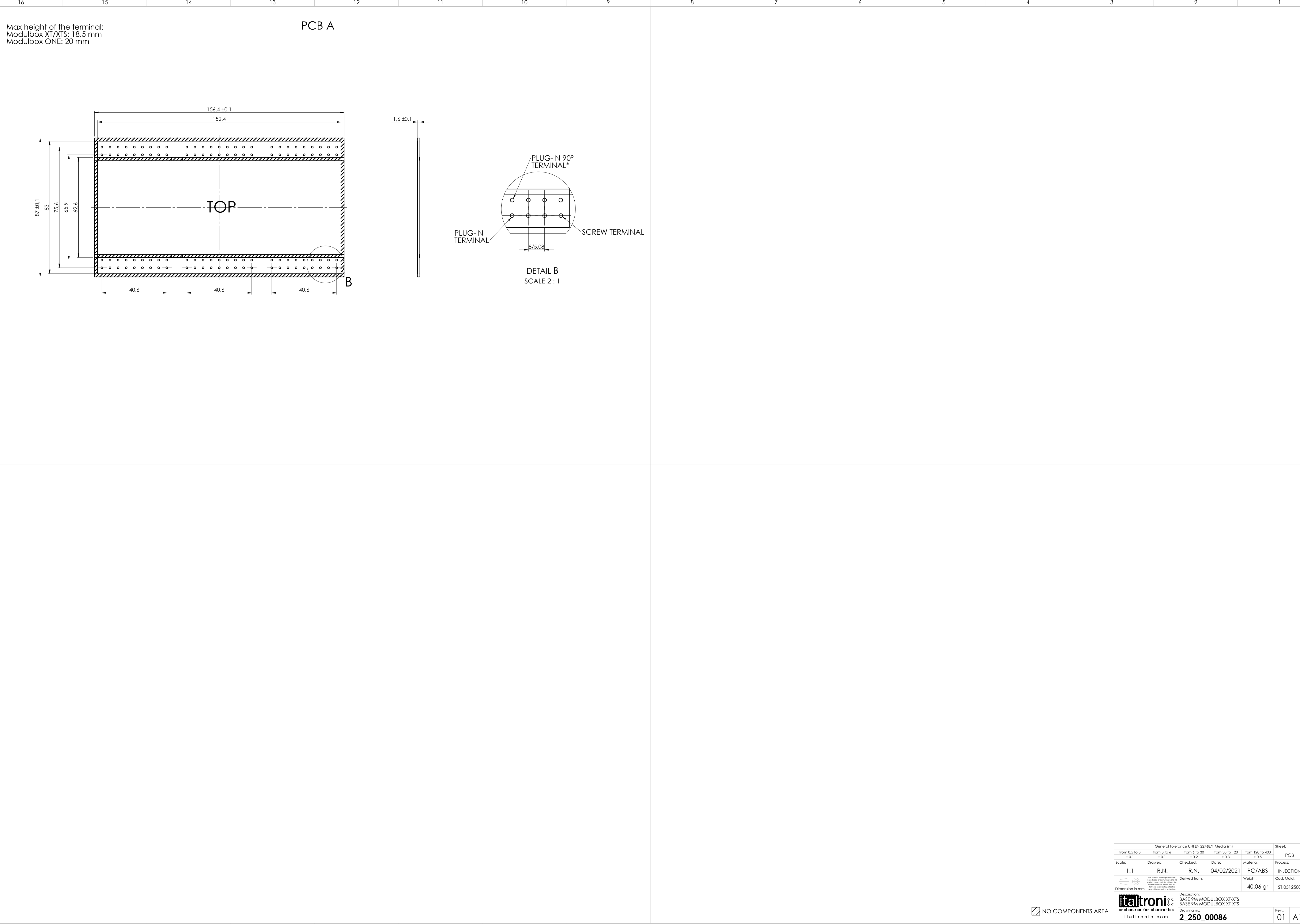
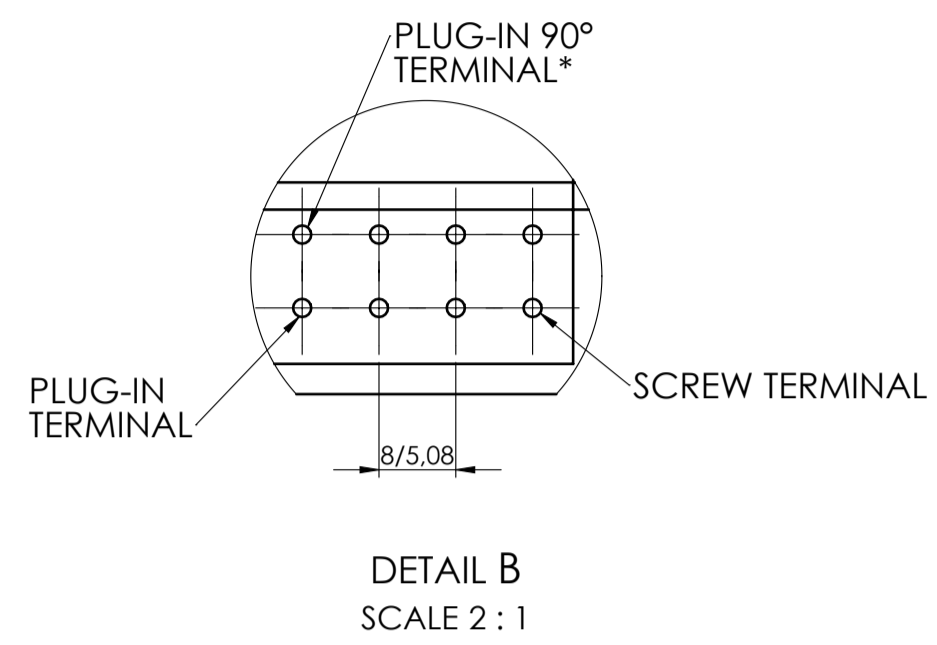
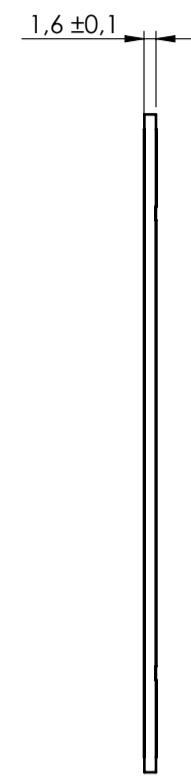
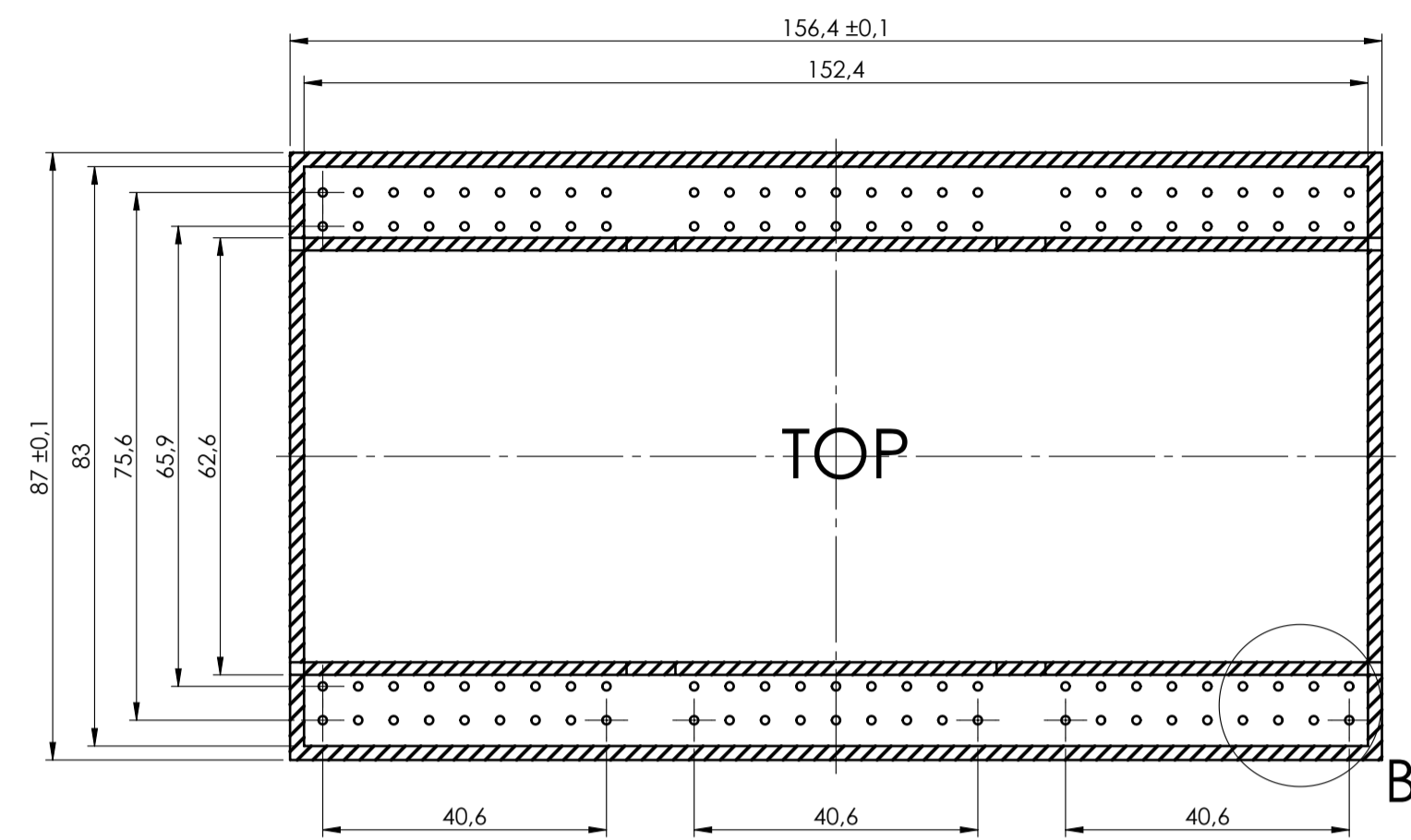
Scale:	1:1
Drawn:	R.N.
Checked:	R.N.
Date:	04/02/2021
Material:	PC/ABS
Process:	INJECTION
Weight:	40.06 gr
Cod. Mold:	ST.0512500

Description:	
BASE 9M MODULBOX XT-XTS	
BASE 9M MODULBOX XT-XTS	
Drawing ref:	2_250_00086
Rev:	01
Sheet: 1	



Max height of the terminal:
 Modulbox XT/XTS: 18.5 mm
 Modulbox ONE: 20 mm

PCB A



General Tolerance IIR EN 22768/1 Media [m]					Sheet:		
from 0.5 to 3 ± 0.1	from 3 to 6 ± 0.1	from 6 to 30 ± 0.2	from 30 to 120 ± 0.3	from 120 to 400 ± 0.5	PCB		
Scale:	1:1	Drawn:	R.N.	Checked:	R.N.	Date:	04/02/2021
Material:	PC/ABS	Weight:	40.06 gr	Process:	INJECTION		
Dimension in mm	---		Derived from:	Cod. Mold:		SI.0512500	
Description:			BASE 9M MODULBOX XT-XTS				
Drawing nr:			2_250_00086				
Rev.:			01 A1				

NO COMPONENTS AREA

