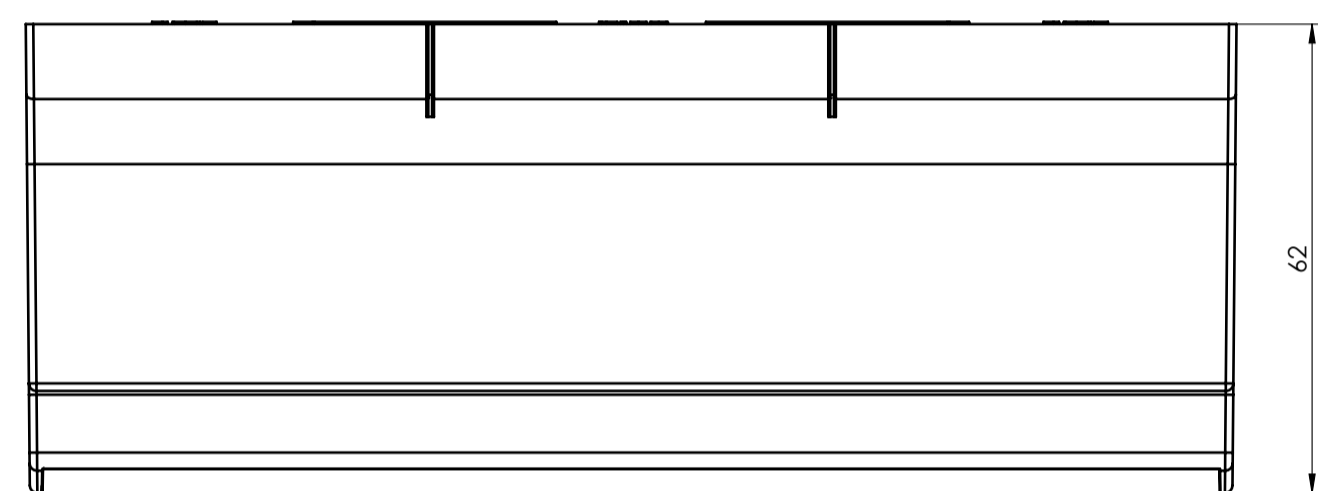
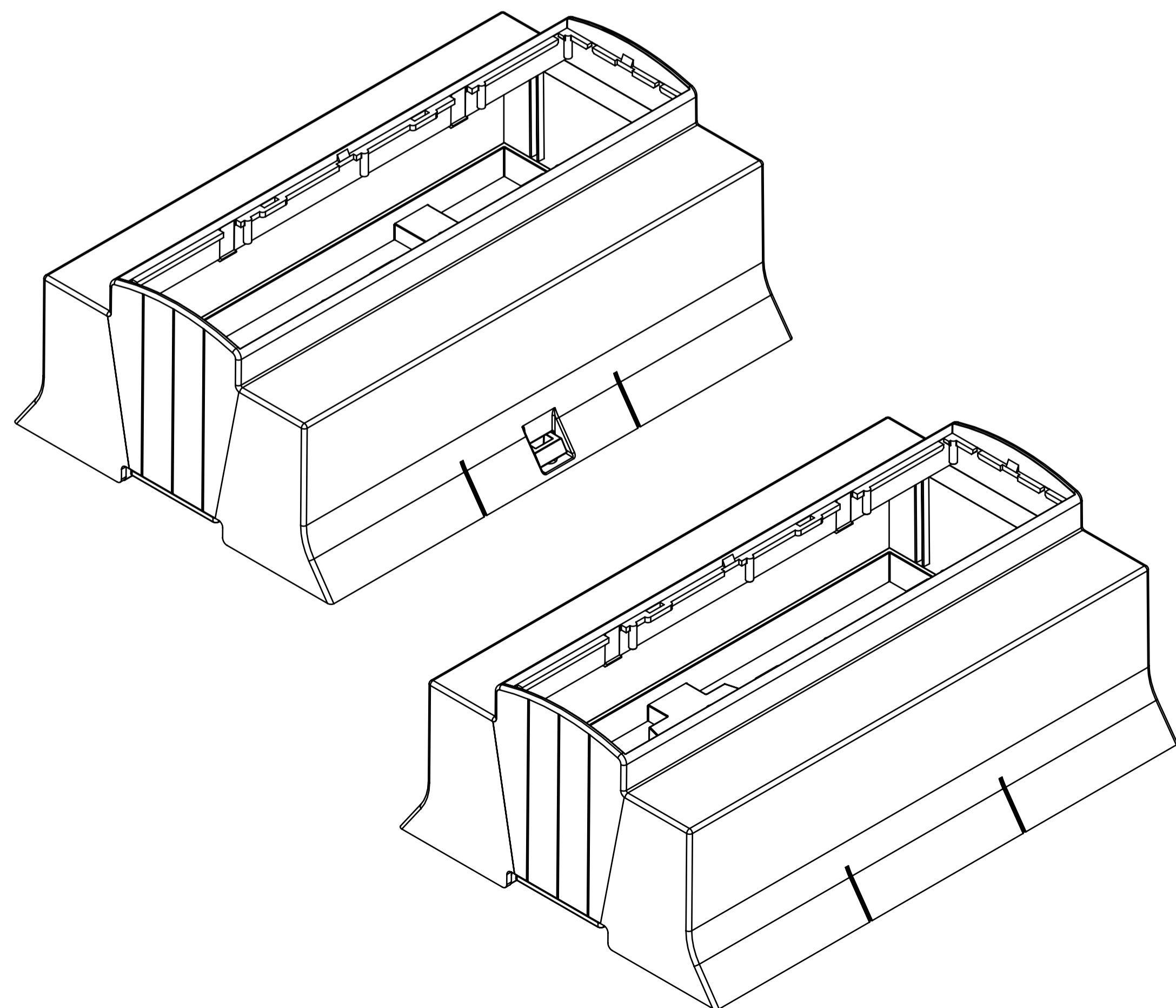
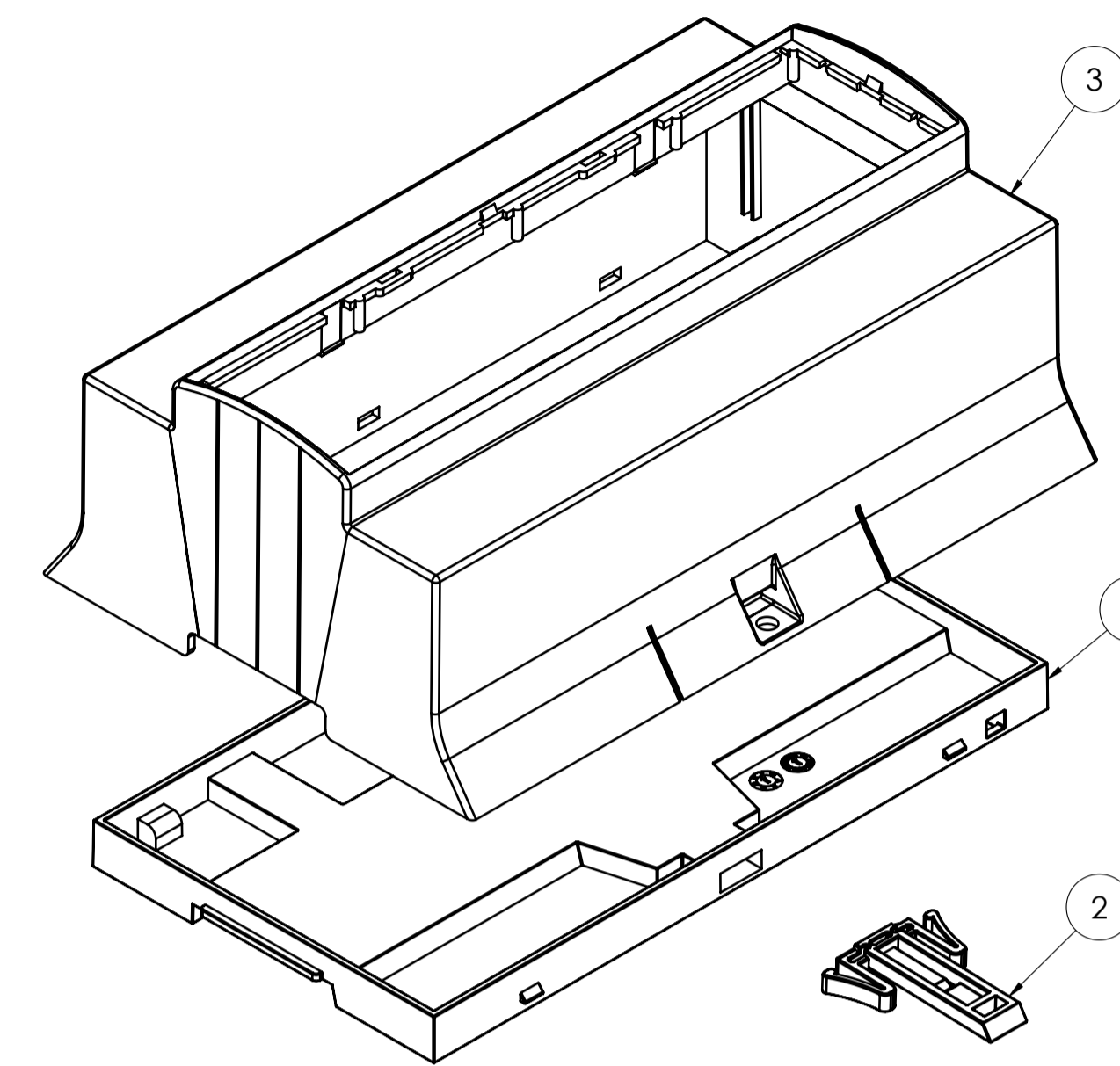
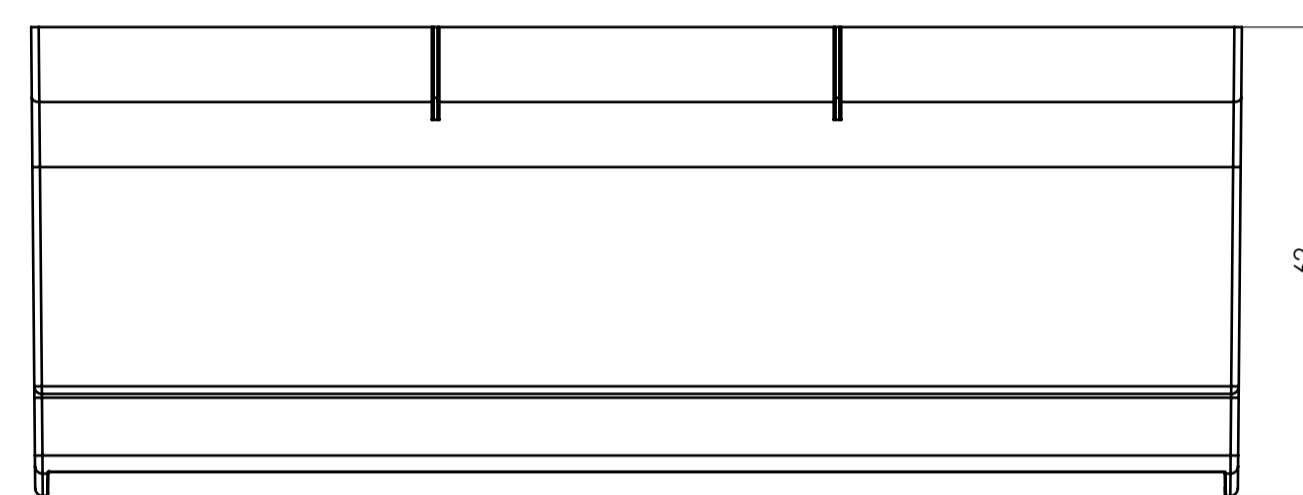
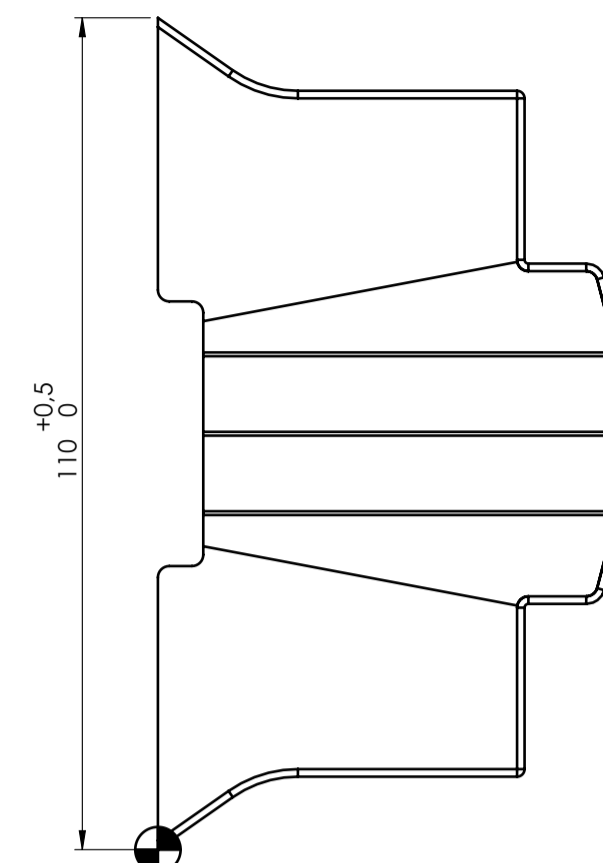
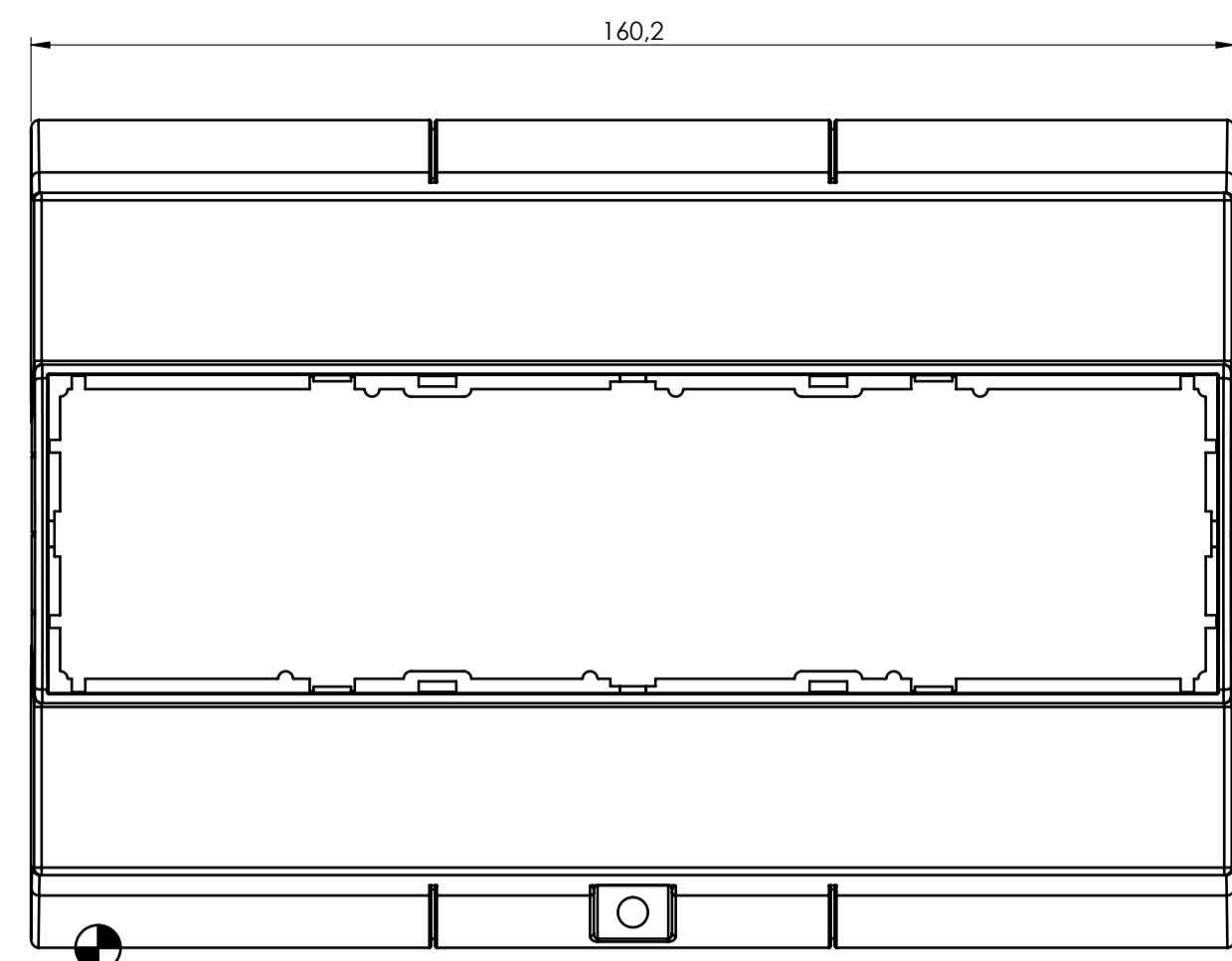


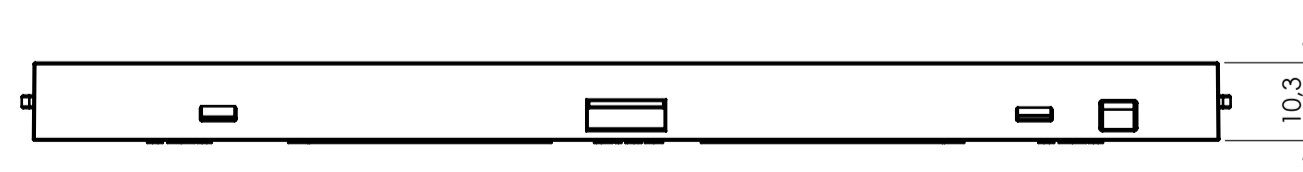
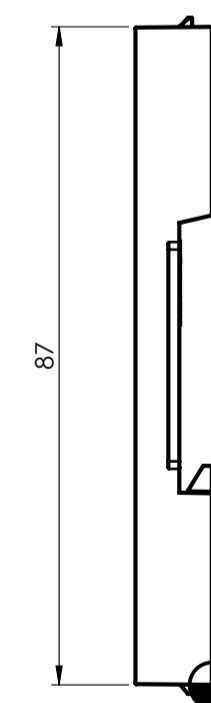
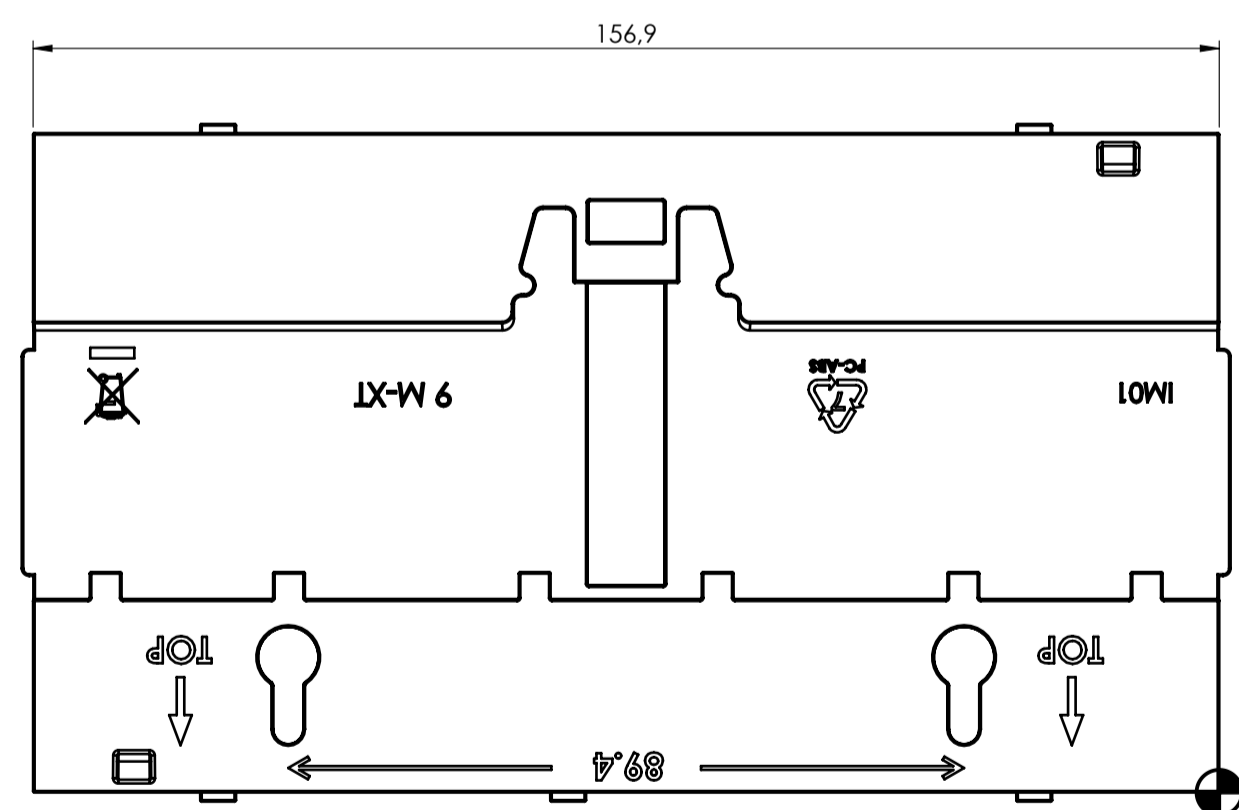
SECTION A-A



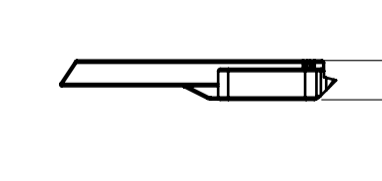
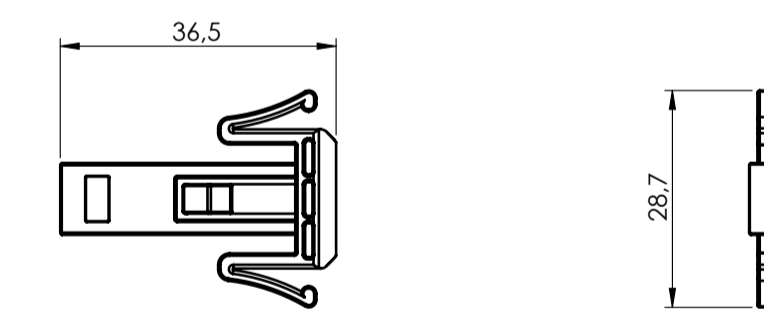
BODY ENCLOSURE



BASE



HOOK



General information:  
 - Workpiece zero point for mechanical processing  
 - Minimum recommended radius for machining = R1.0 mm  
 - Mounting rail like EN 60715; TH 35-15  
 - Recommended PCB outline on www.italtronic.com

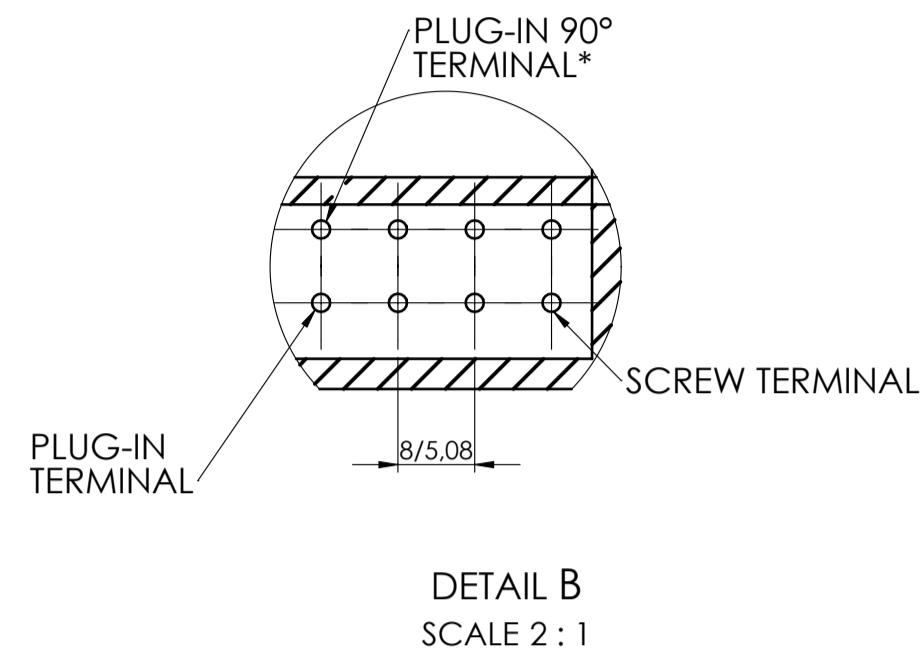
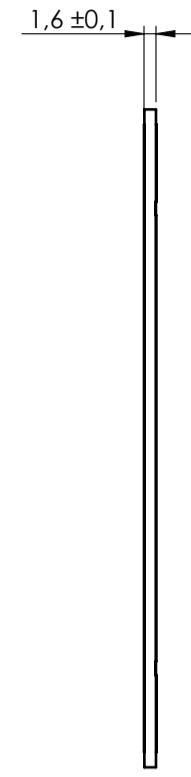
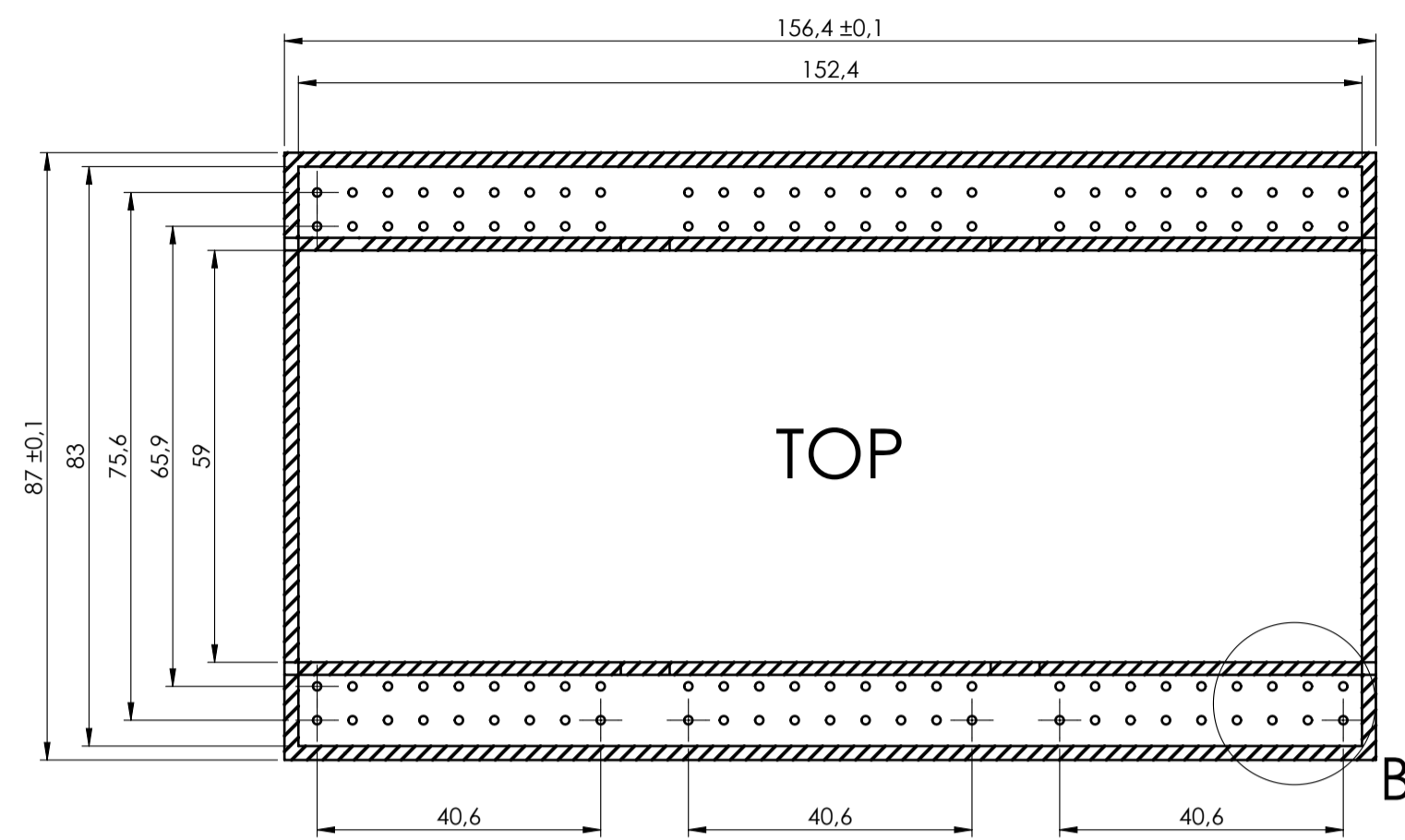
RIF.	Q.TY	DRAWING	DESCRIPTION
1	1	2_250_00072	HOOK FOR MODULBOX XT-XTS
2	1	2_250_00084	BASE 9M MODULBOX XT-XTS
3	1	2_250_03623	BODY MODULBOX XT 9M53-C

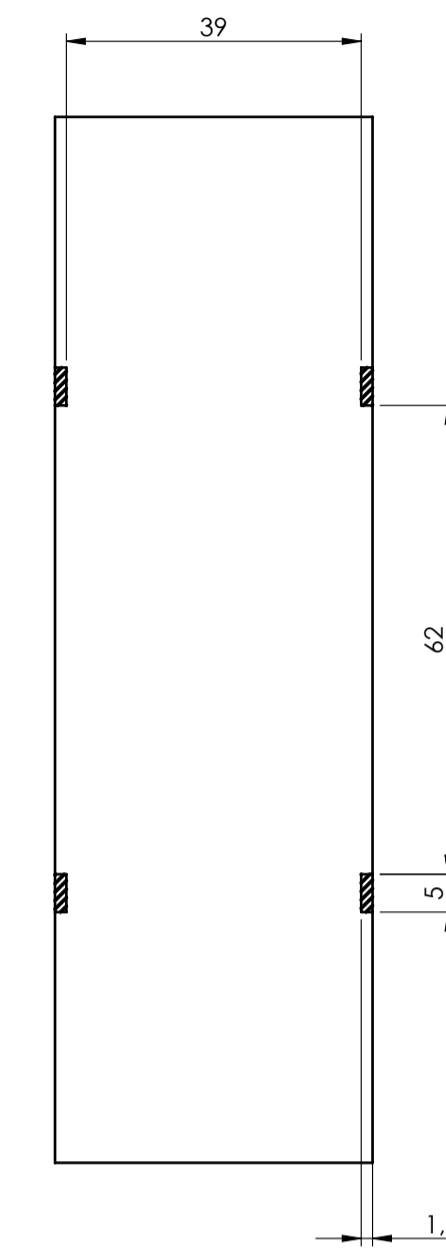
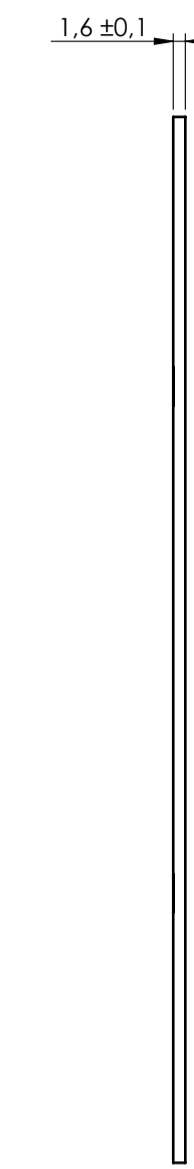
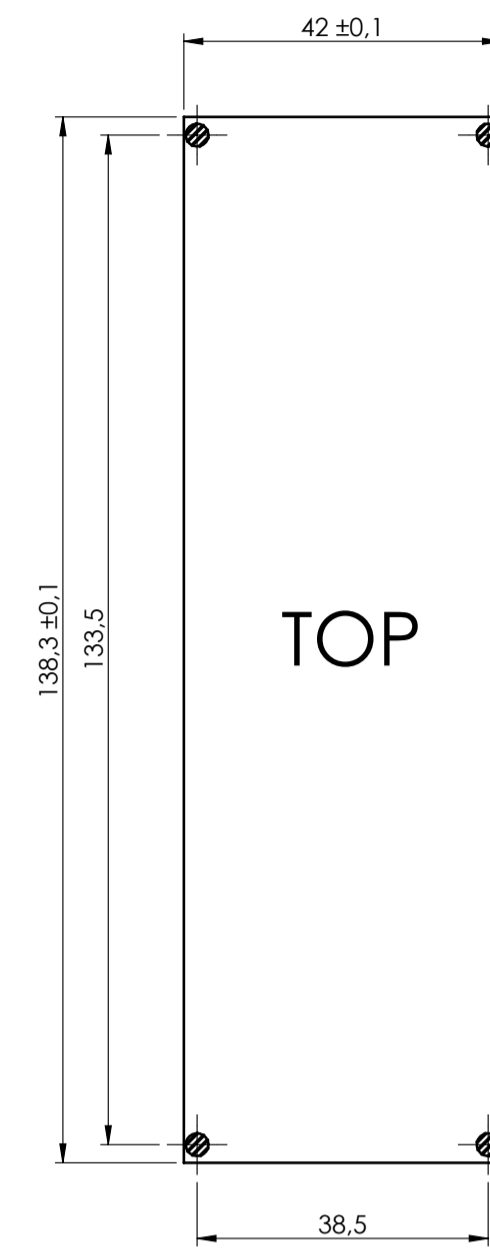
from 0.5 to 3	from 3 to 6	from 6 to 30	from 30 to 120	from 120 to 400	Sheet
± 0.1	± 0.1	± 0.2	± 0.3	± 0.5	1
Scale:	Drawn:	Checked:	Date:	Material:	Process:
1:1	R.N.	R.N.	04/02/2021	PC/ABS	INJECTION
Dimension in mm	Derived from:		Weight:	Cod. Mold:	
			40.06 gr	ST.0512500	
 italtronic.com			Description: BASE 9M MODULBOX XT-XTS BASE 9M MODULBOX XT-XTS Drawing ref: <b>2_250_00084</b>		Rev: 01 A1

Max height of the terminal:  
 Modulbox XT/XTS: 18.5 mm  
 Modulbox ONE: 20 mm

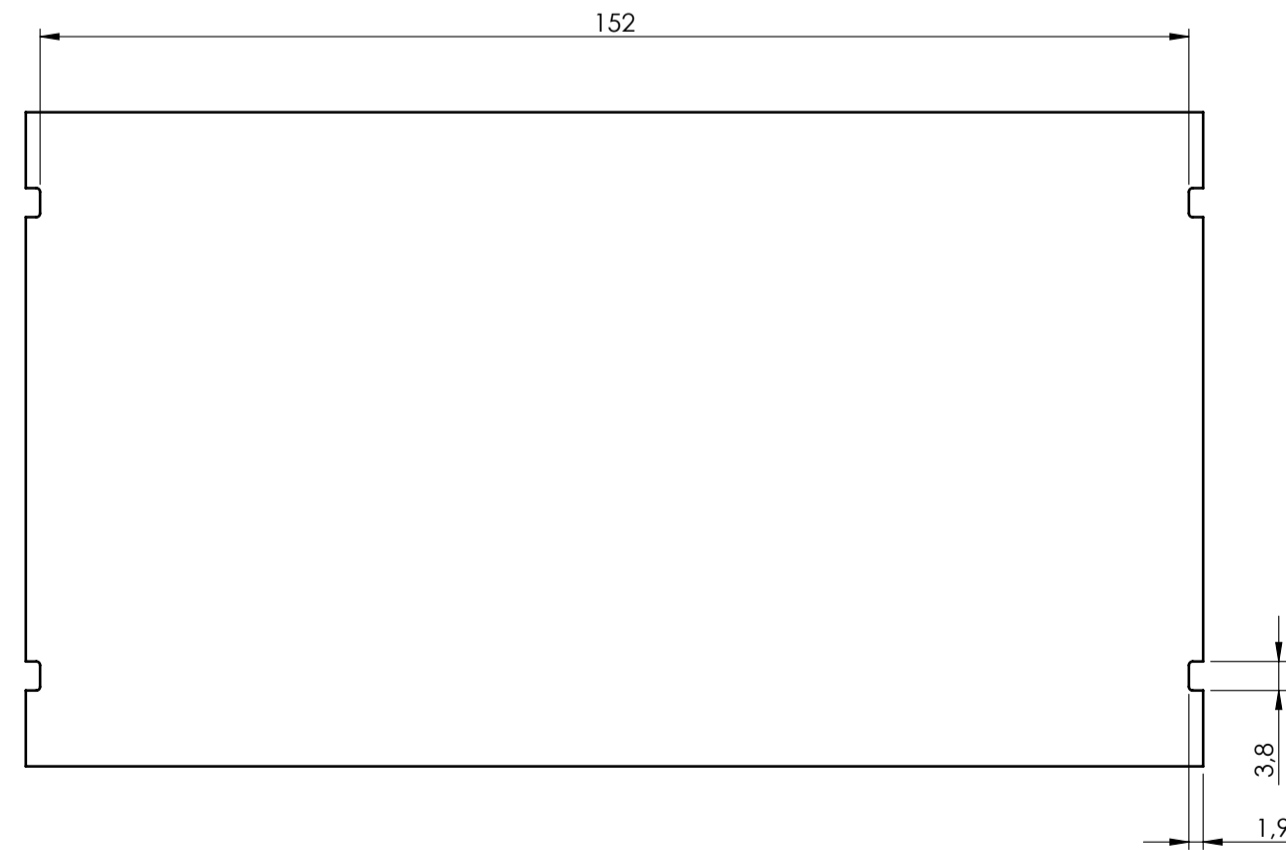
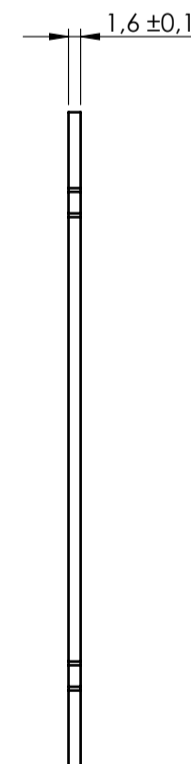
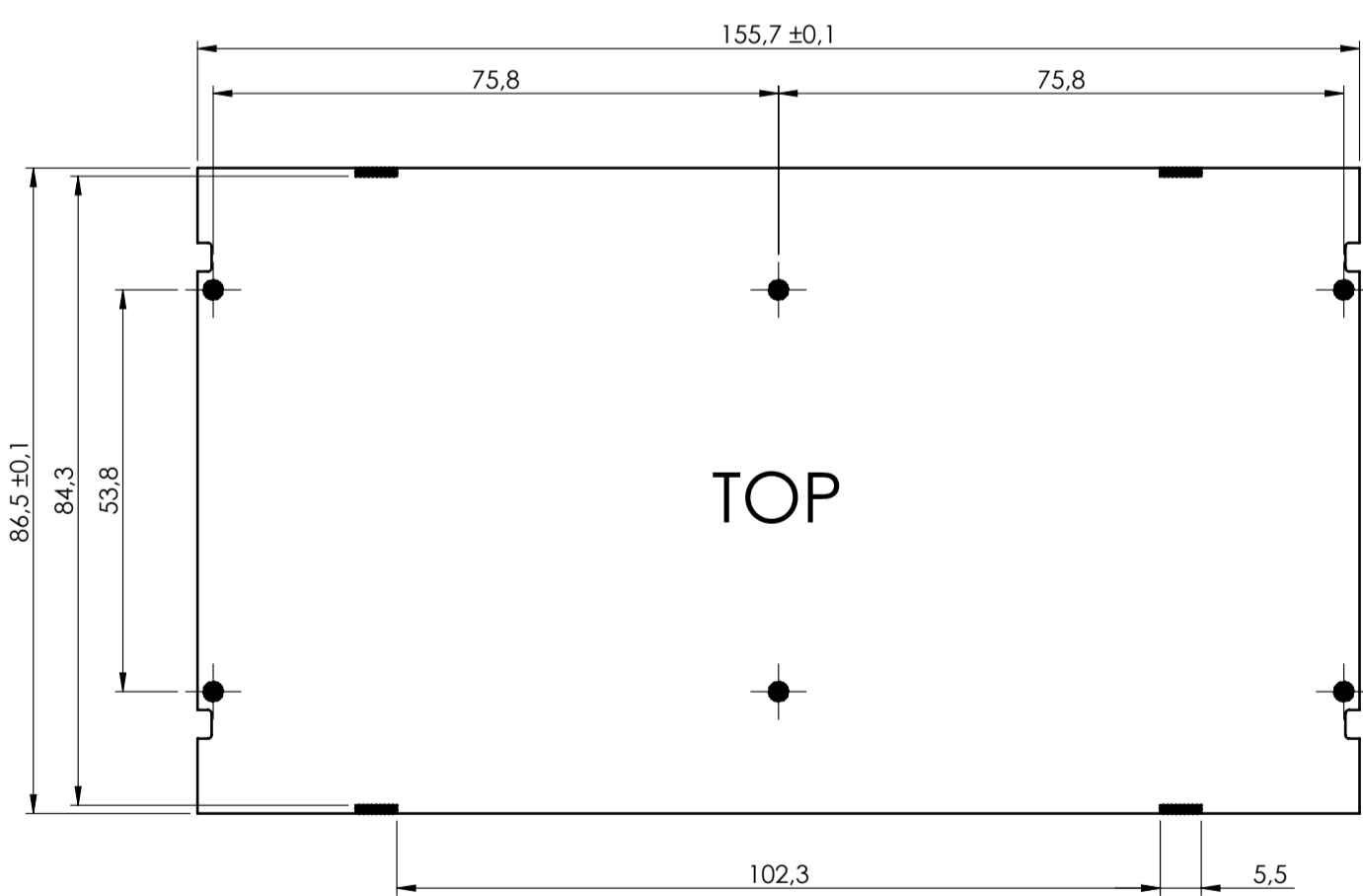
PCB A



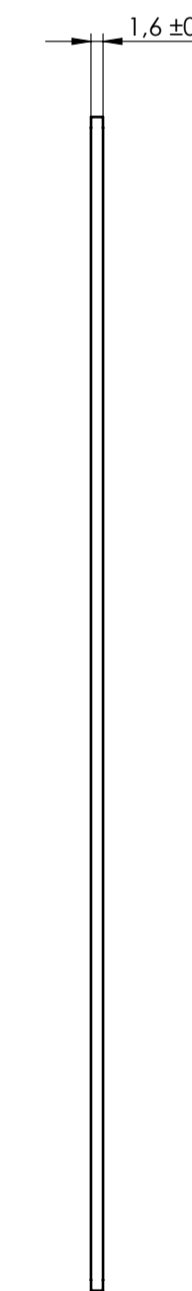
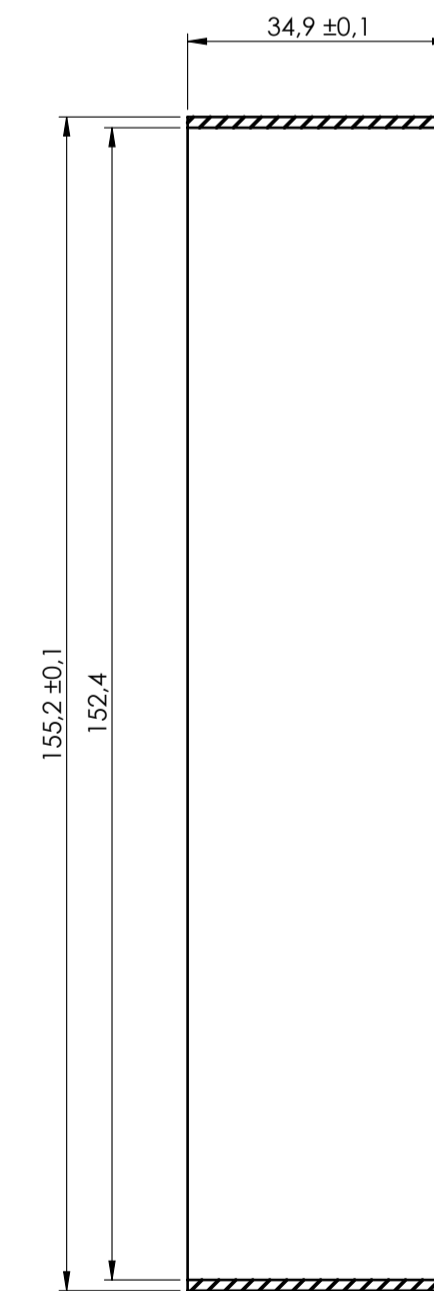
PCB C



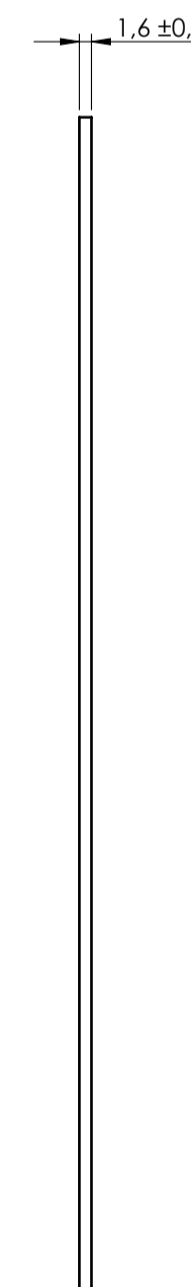
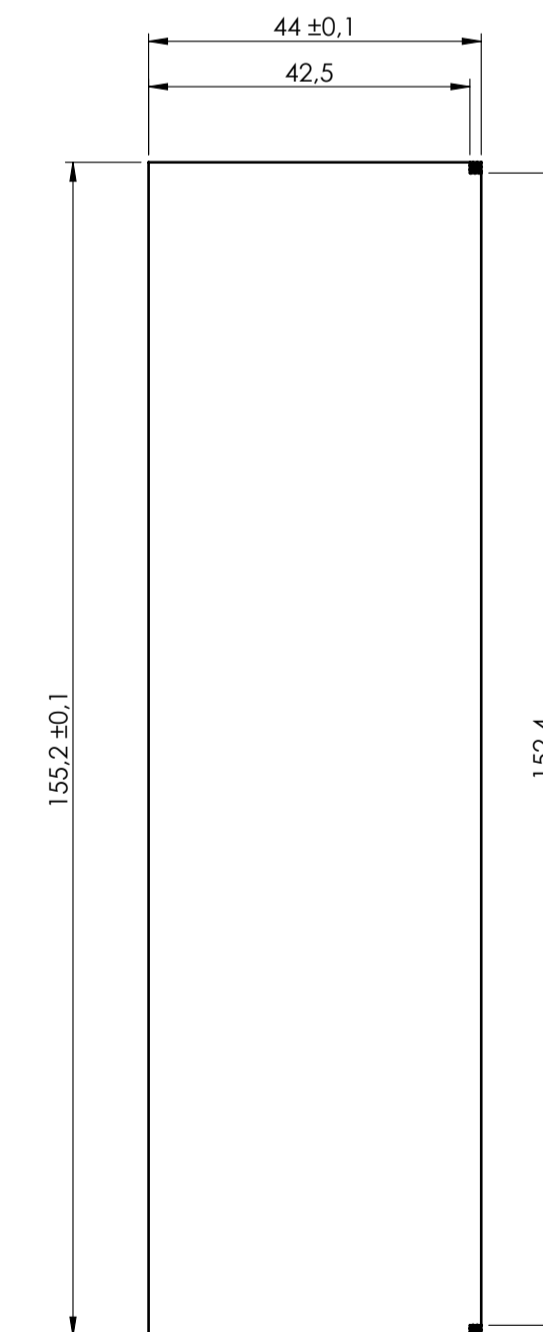
PCB B



PCB V1



PCB V2



General Tolerance UNE EN 22768/1 Media (m)				Sheet:	
from 0.5 to 3 ± 0.1	from 3 to 6 ± 0.1	from 6 to 30 ± 0.2	from 30 to 120 ± 0.3	from 120 to 400 ± 0.5	PCB
Scale:	Drawn:	Checked:	Date:	Material:	Process:
1:1	R.N.	R.N.	04/02/2021	PC/ABS	INJECTION
Dimension in mm	Derived from:		Weight:	Cod. Mold:	
	---		40.06 gr	ST.0512500	
Description:				Rev:	
BASE 9M MODULBOX XT-XTS BASE 9M MODULBOX XT-XTS				01 A1	
Drawn by:				Rev:	
2_250_00086					
NO COMPONENTS AREA					
italtronic enclosures for electronics italtronic.com					