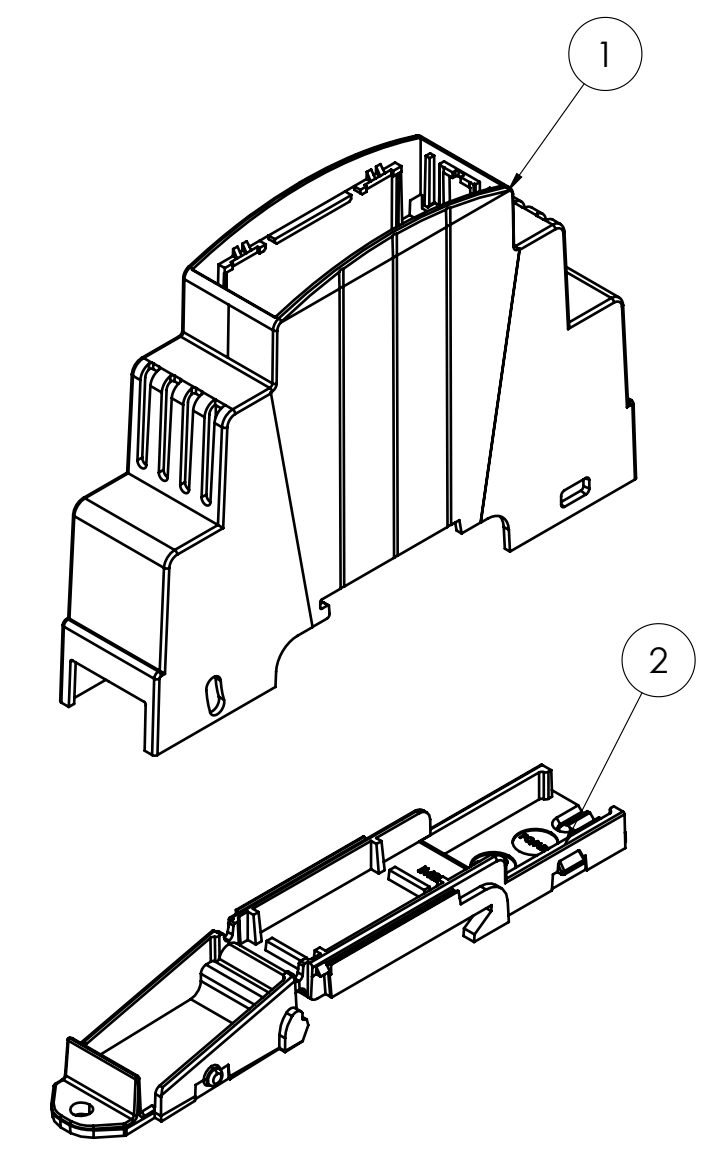
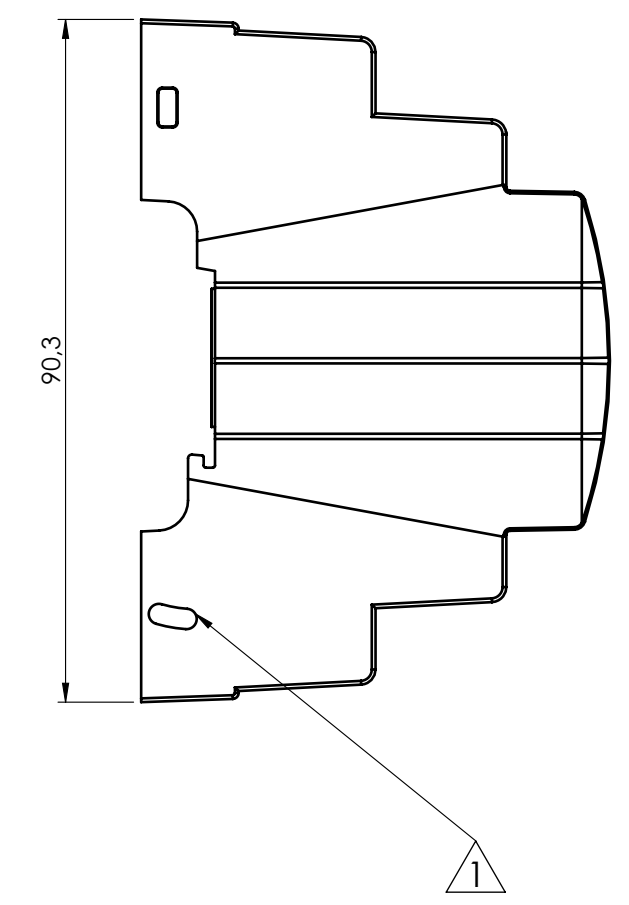
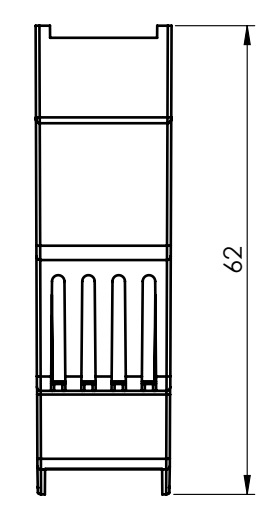
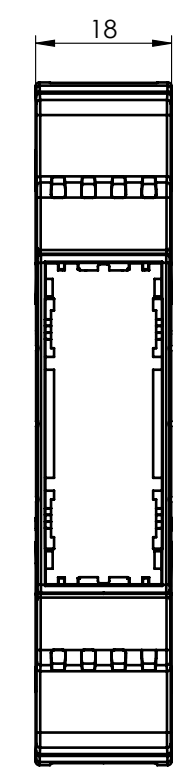
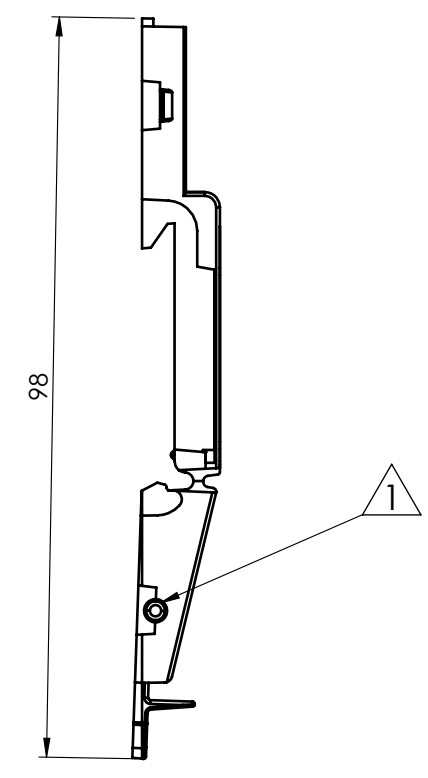
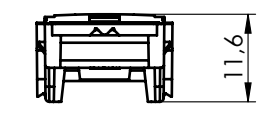
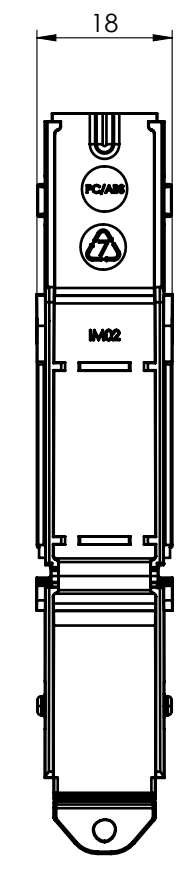


BODY ENCLOSURE



BASE




General information:
 - Workpiece zero point for mechanical processing
 - Minimum recommended radius for machining = R1.0 mm
 - Mounting rail like EN 60715: TH 35-7.5 or TH 35-15
 - Recommended PCB outline on www.italtronic.com

Revisions			
Rev.	Description	Date	Mod. by
1	Modificato il sistema di aggancio della base.	13/06/2024	M.S.

RIF.	Q.TY	DRAWING	DESCRIPTION
1	1	2_250_00167	BODY ENCLOSURE MODULBOX XTS 1M53V-A VENTILATED
2	1	2_250_00092	BASE MODULBOX XTS 1M

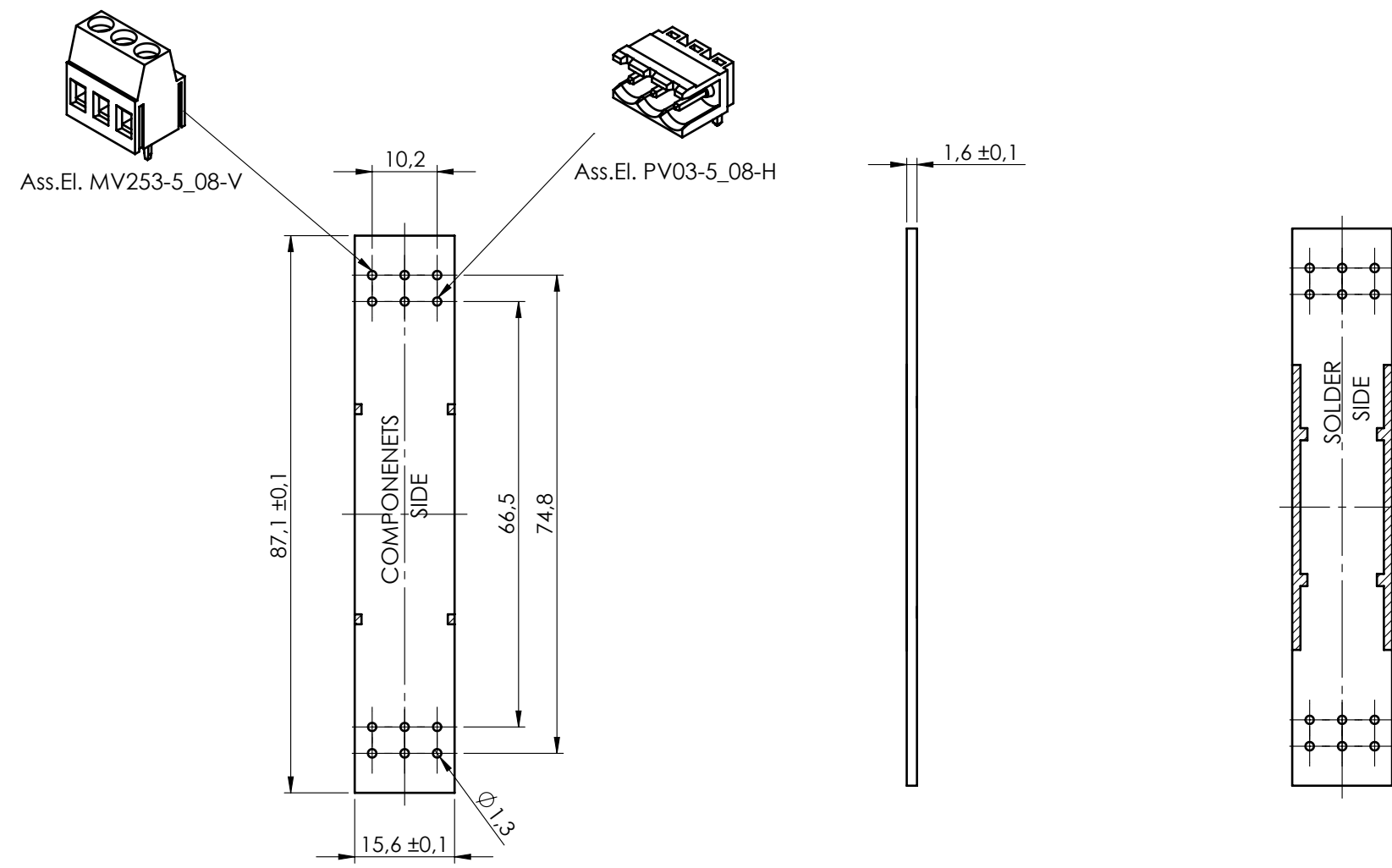
General Tolerance UNI EN 22768/1 Media (m)						Sheet:
from 0.5 to 3 ± 0.1	from 3 to 6 ± 0.1	from 6 to 30 ± 0.2	from 30 to 120 ± 0.3	from 120 to 400 ± 0.5		1
Scale:	IM:	Drawn:	Checked:	Date:	Material:	Process:
1:1	--	M.S.	R.N.	17/07/2023		
Dimension in mm		Replaces the:		Derived from:	Weight:	Cod. Mold:
		M-06126-00		--	gr	--


enclosures for electronics
 italtronic.com

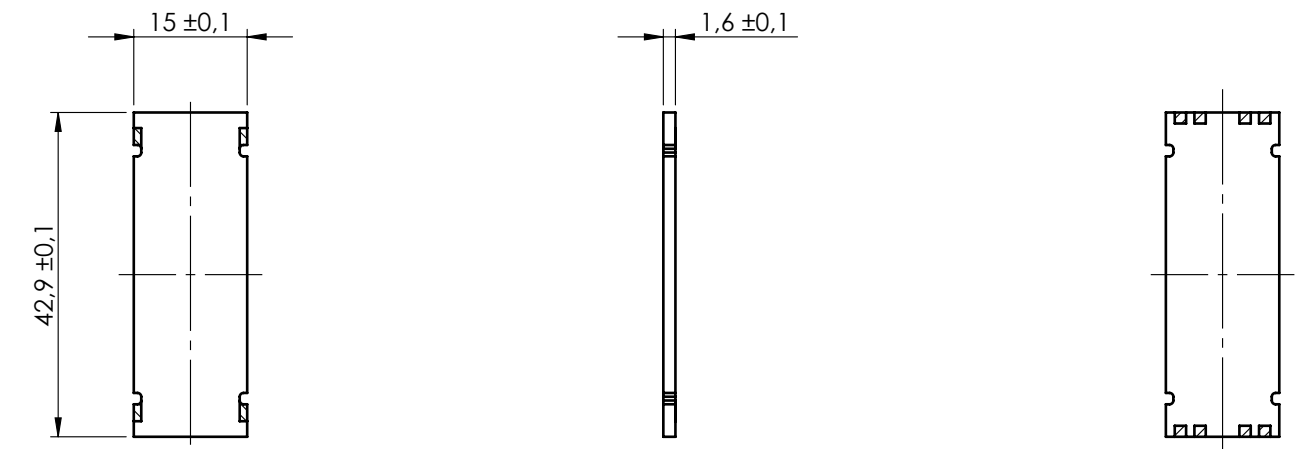
Description:
 KIT CONTENITORE MODULBOX XTS 1M53V-A
 KIT ENCLOSURE MODULBOX XTS 1M53V-A
 Drawing nr.: **3_250_00141**

Rev.: **01** A2

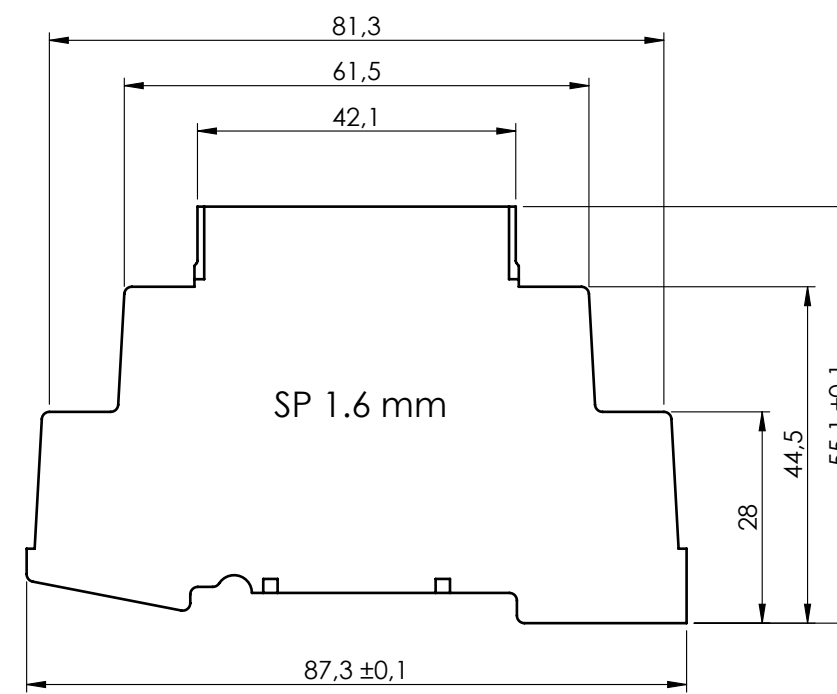
PCB A



PCB C



PCB V



General Tolerance UNI EN 22768/1 Media (m)						Sheet:
from 0.5 to 3 ± 0.1	from 3 to 6 ± 0.1	from 6 to 30 ± 0.2	from 30 to 120 ± 0.3	from 120 to 400 ± 0.5		PCB
Scale:	IM:	Drawn:	Checked:	Date:	Material:	Process:
1:1	--	M.S.	R.N.	17/07/2023		
Dimension in mm		Replaces the:		Derived from:	Weight:	Cod. Mold:
		M-06126-00		--	gr	--
 enclosures for electronics italtronic.com						Description:
						KIT CONTENITORE MODULBOX XTS 1MS3V-A KIT ENCLOSURE MODULBOX XTS 1MS3V-A
Drawing nr.:						Rev.:
3_250_00141						01 A2

NO COMPONENTS AREA