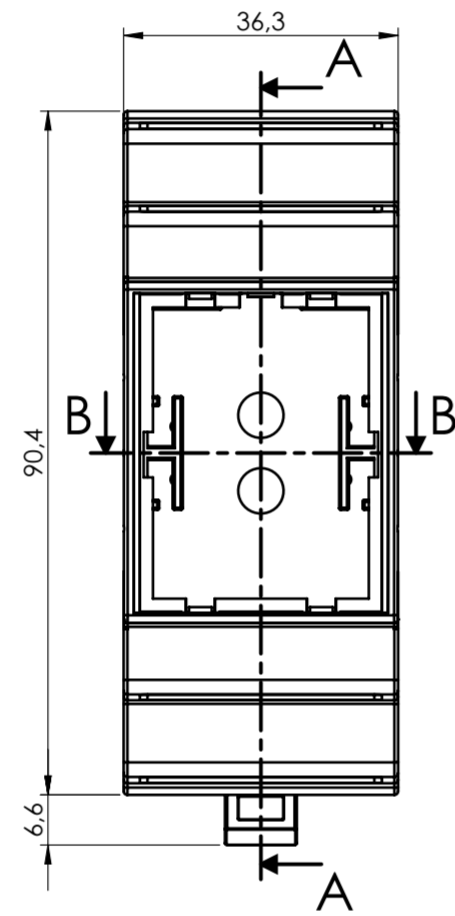
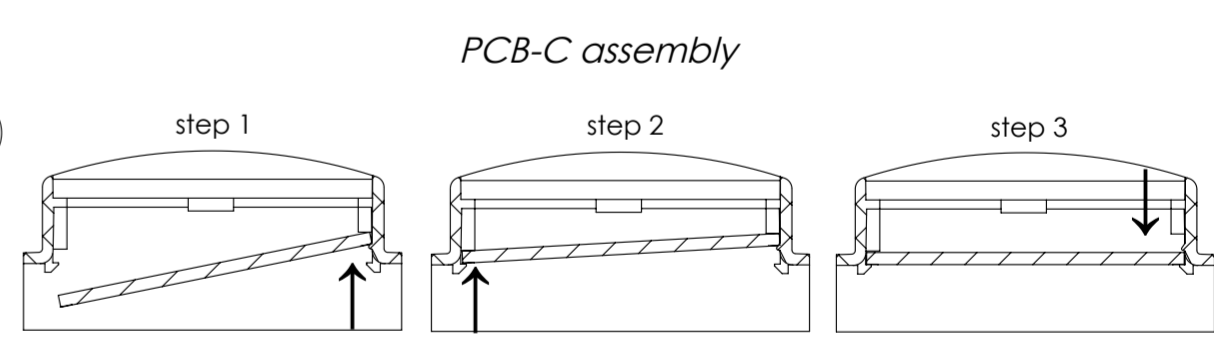
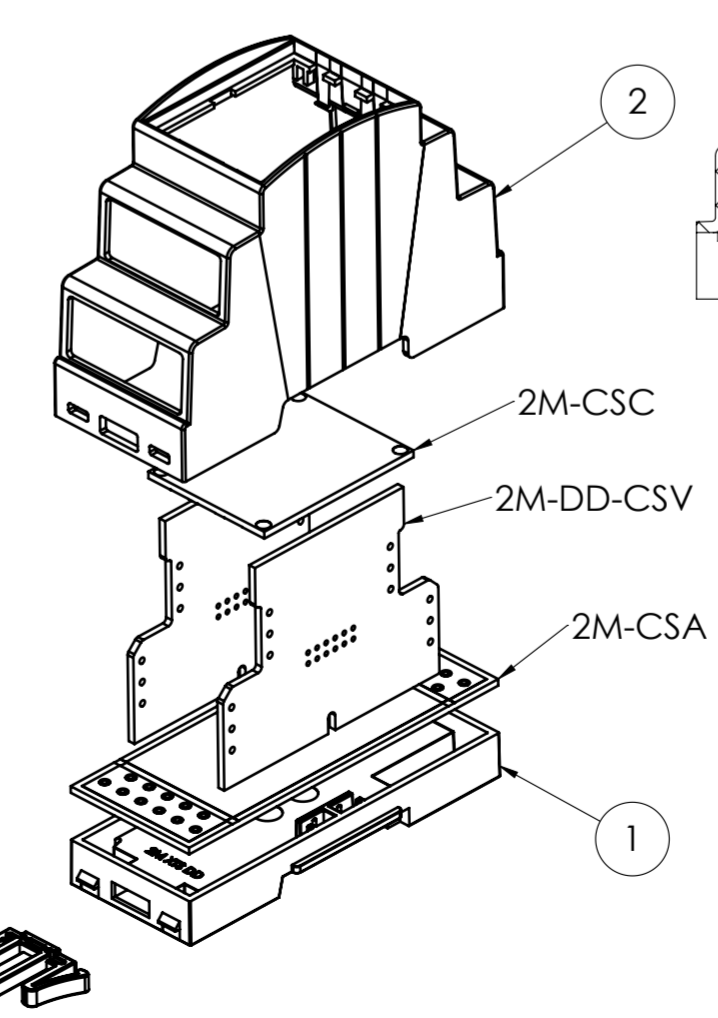
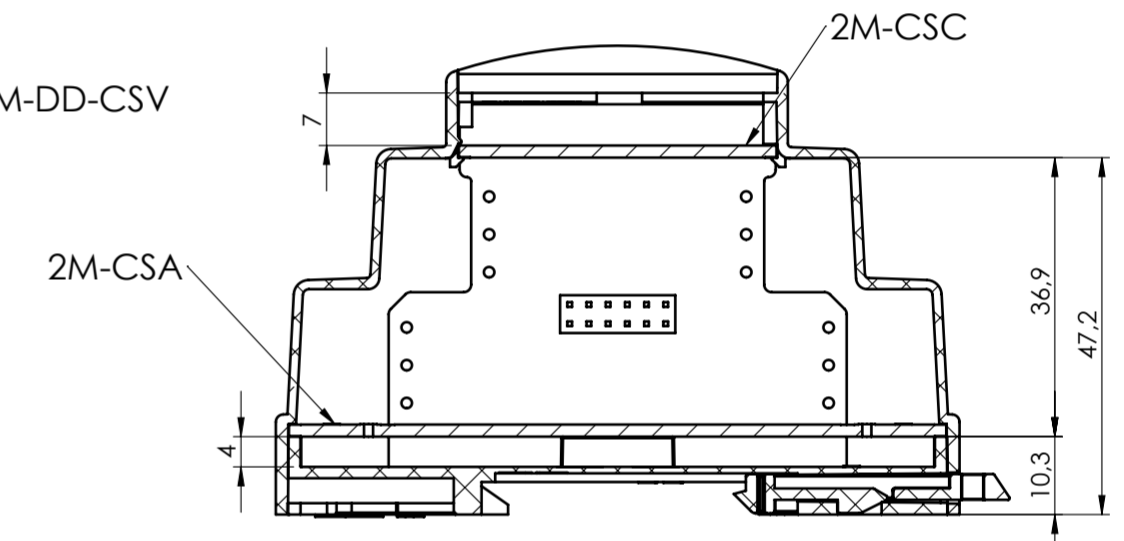
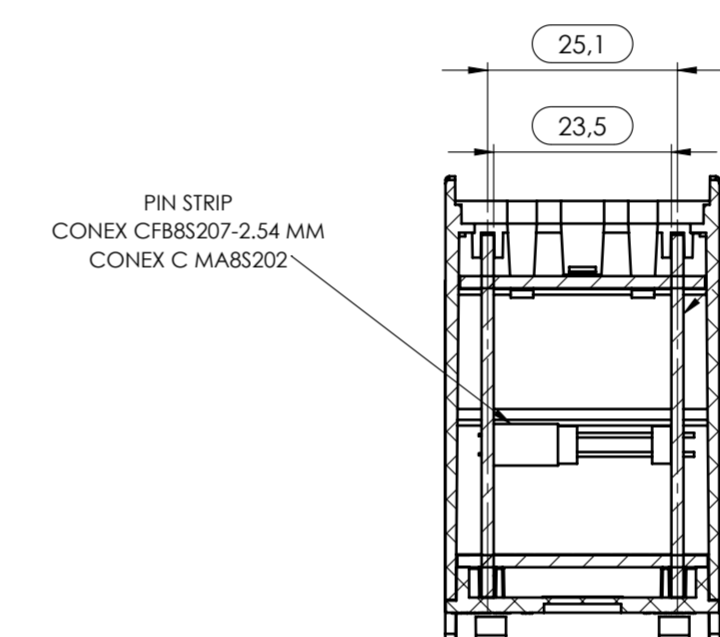
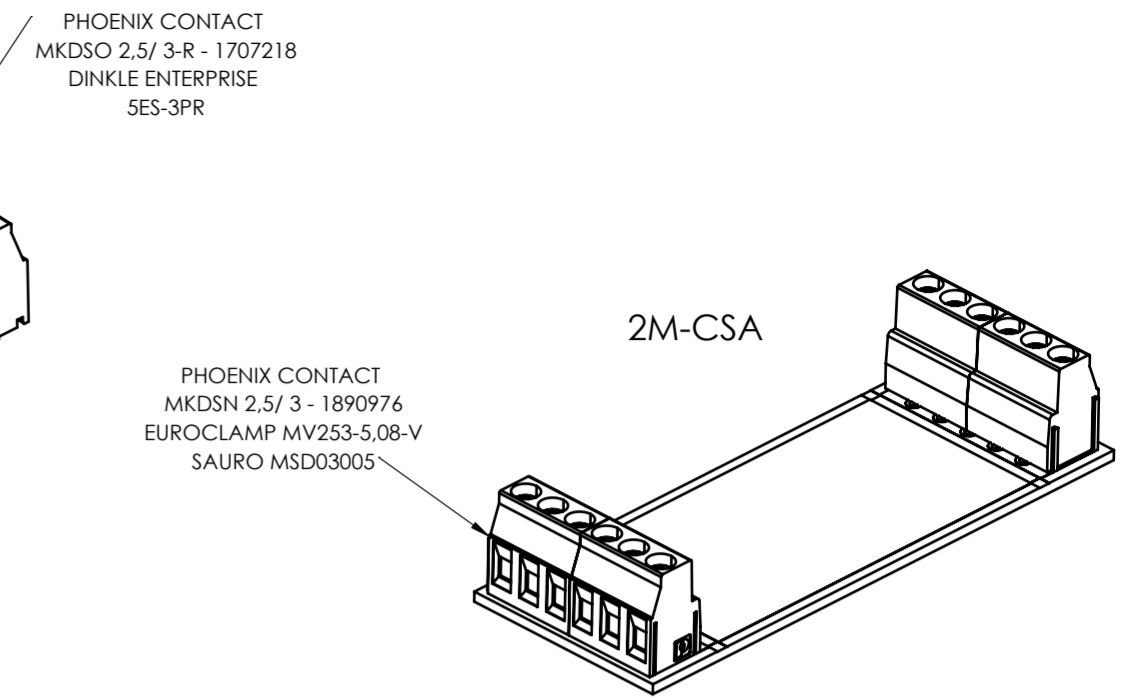
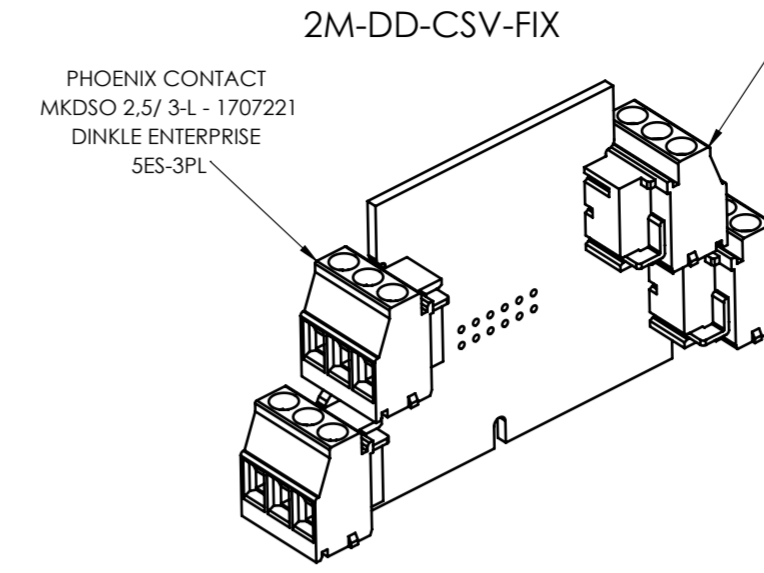
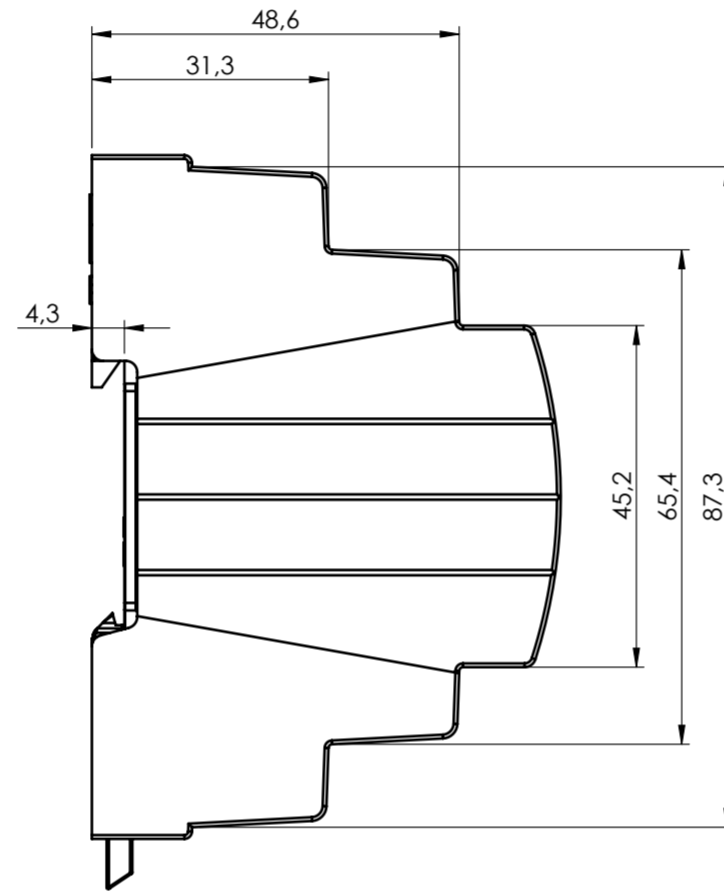
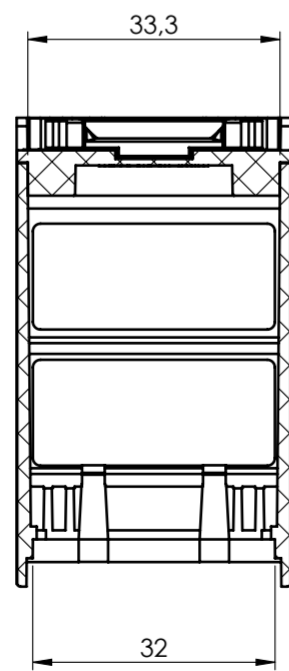


SECTION A-A



SECTION B-B



RIF.	Q.TY	DRAWING	DESCRIPTION
1	1	2_250_00150	BASE MODULBOX XT-XTS 2M VERSION DD
2	1	2_250_00153	BODY MODULBOX XTS DD 2MH53-A2P
3	1	2_250_00072	HOOK FOR MODULBOX XT-XTS

General Tolerance UNI EN 22768/1 Media (m)					Sheet:
from 0.5 to 3 ± 0.1	from 3 to 6 ± 0.1	from 6 to 30 ± 0.2	from 30 to 120 ± 0.3	from 120 to 400 ± 0.5	1
Scale:	Drawn:	Checked:	Date:	Material:	Process:
1:1	R.N.	R.N.	03/05/2022		
Dimension in mm	Derived from:			Weight:	Cod. Mold:
	---			gr	--
italtronic enclosures for electronics italtronic.com					Description: KIT CONTENITORE MODULBOX XTS DD 2MH53-A2P KIT ENCLOSURE MODULBOX XTS DD 2MH53-A2P Drawing nr.: 3_250_00078
					Rev.: 00 A2