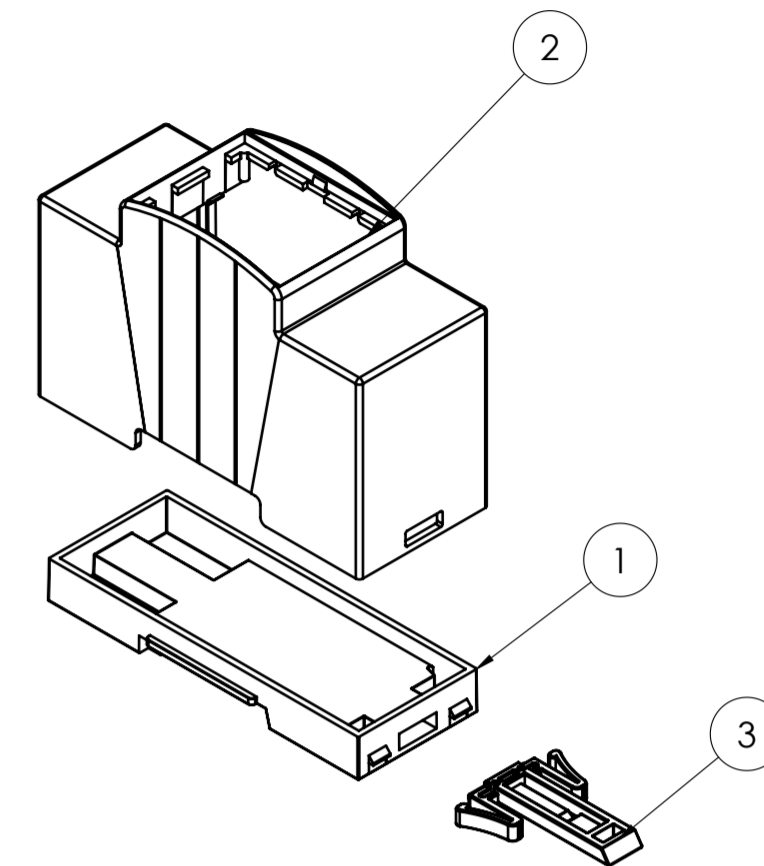
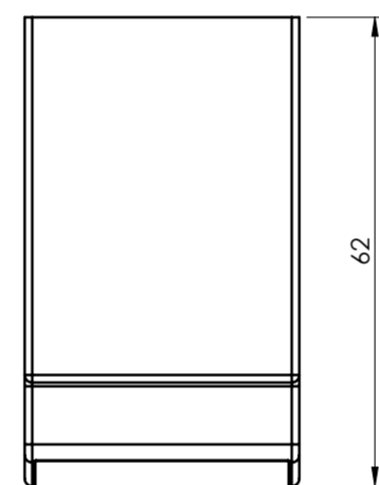
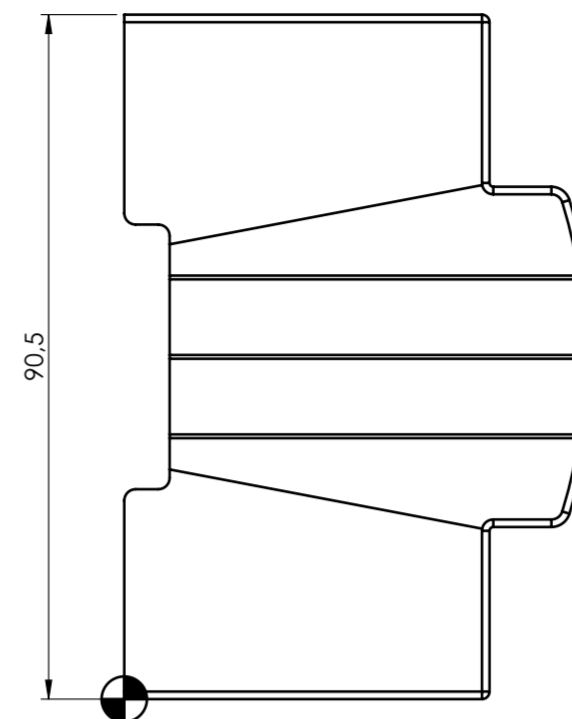
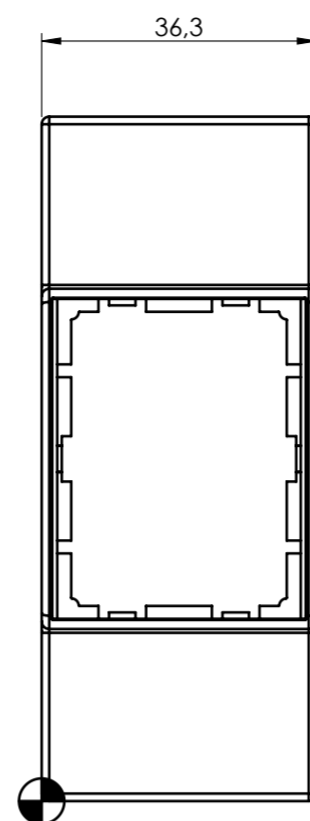
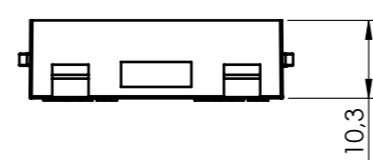
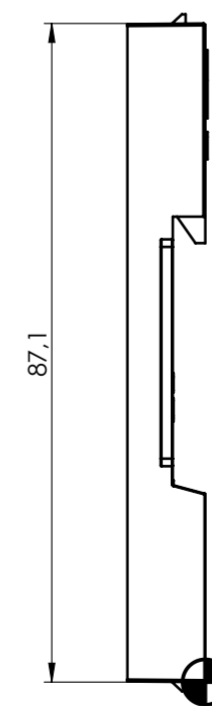
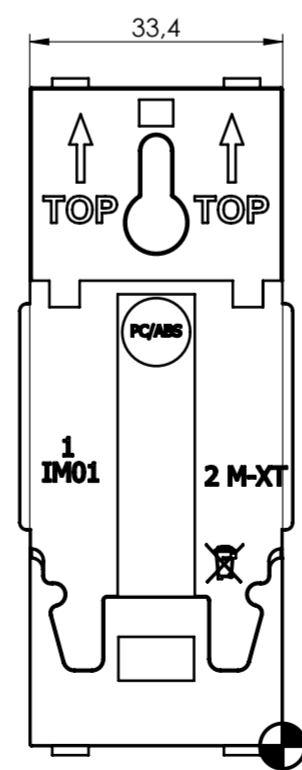


### BODY ENCLOSURE

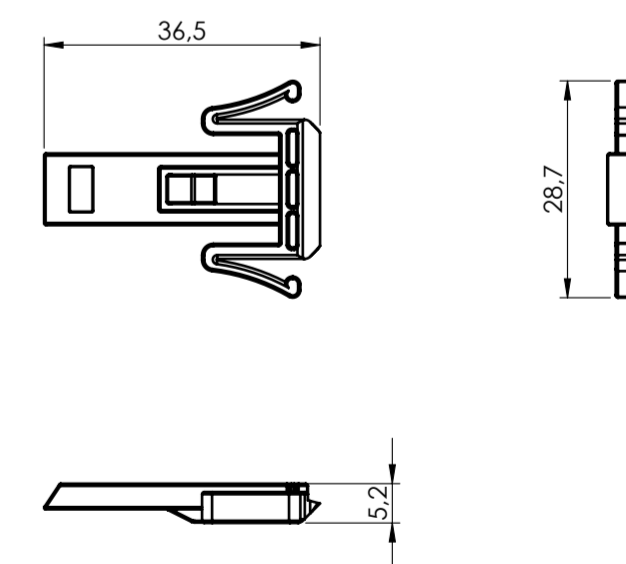


### BASE



General information:  
 - Workpiece zero point for mechanical processing  
 - Minimum recommended radius for machining = R1.0 mm  
 - Mounting rail like EN 60715: TH 35-7.5 or TH 35-15  
 - Recommended PCB outline on [www.italtronic.com](http://www.italtronic.com)

### HOOK

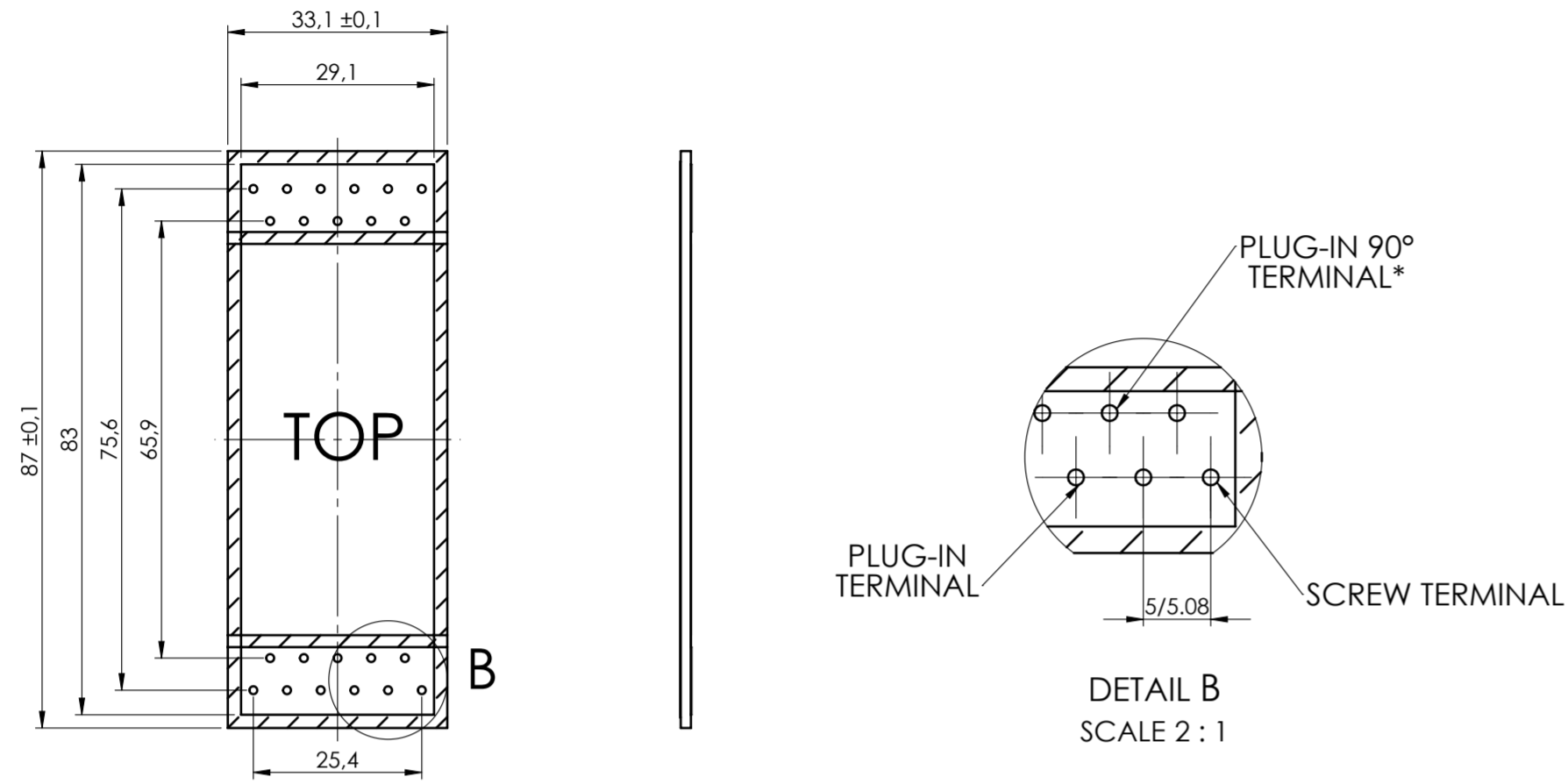


RIF.	Q.TY	DRAWING	DESCRIPTION
1	1	2_250_00139	BASE MODULBOX XT/XTS - 2M
2	1	2_250_00046	BODY MODULBOX XTS 2M53-C
3	1	2_250_00072	HOOK FOR MODULBOX XT-XTS

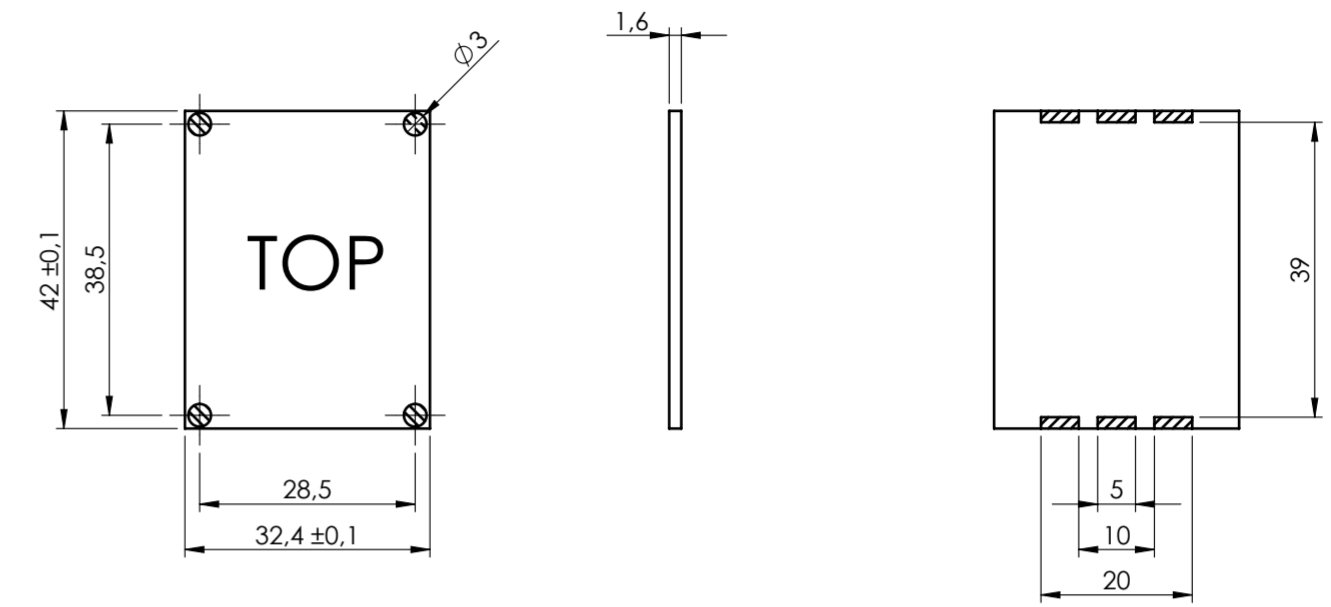
General Tolerance UNI EN 22768/1 Media (m)					Sheet:
from 0.5 to 3	from 3 to 6	from 6 to 30	from 30 to 120	from 120 to 400	1
± 0.1	± 0.1	± 0.2	± 0.3	± 0.5	
Scale:	Drawn:	Checked:	Date:	Material:	Process:
1:1	R.N.	R.N.	11/04/2023		
Dimension in mm	Derived from:		Weight:	Cod. Mold:	
	---		gr	--	
 enclosures for electronics italtronic.com			Description: KIT CONTENITORE MODULBOX XTS 2M53-C KIT ENCLOSURE MODULBOX XTS 2M53-C Drawing nr.: <b>3_250_00031</b>		Rev.: - A2

PCB A

Max height of the terminal:  
 Modulbox XT/XTS: 18.5 mm  
 Modulbox ONE: 20 mm

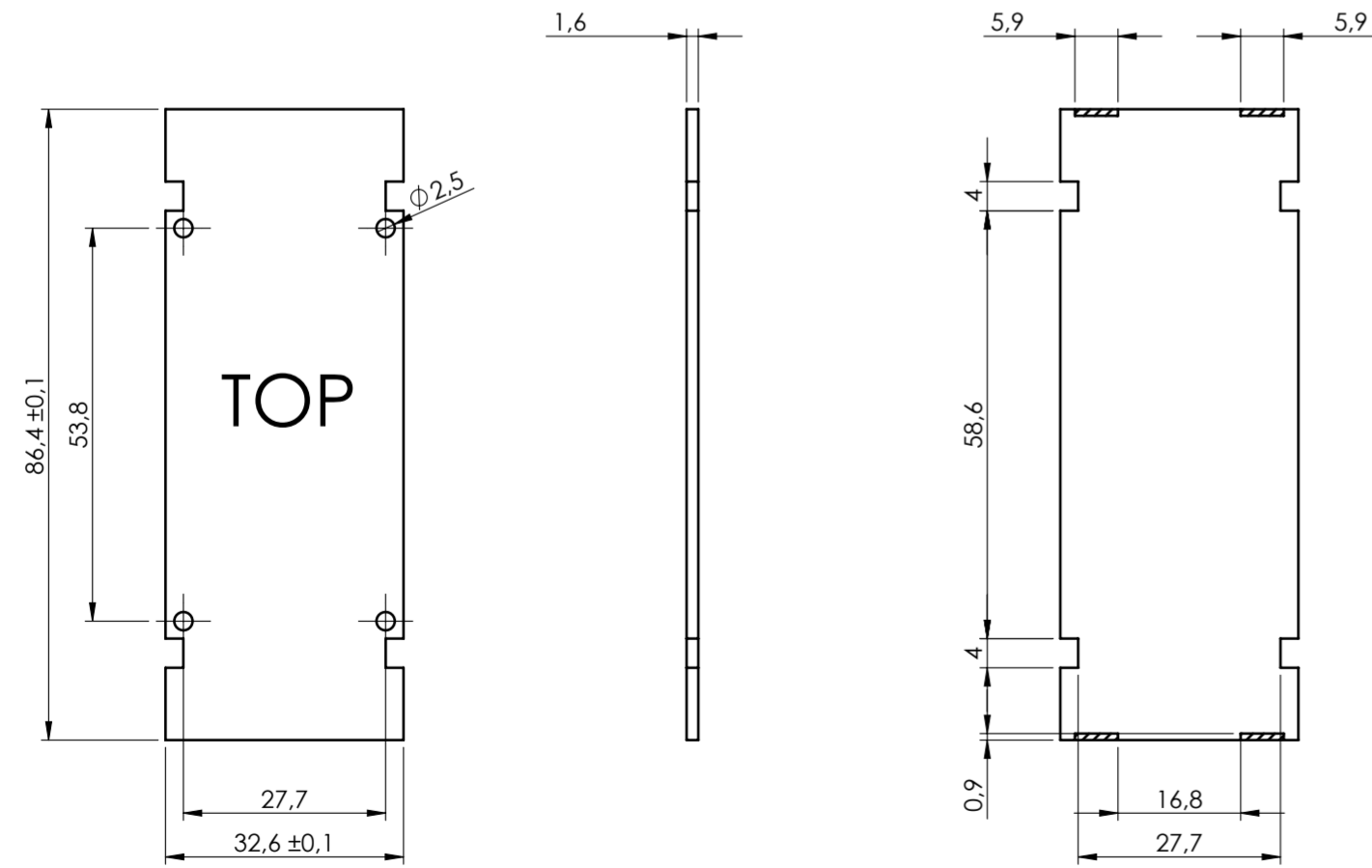


PCB C

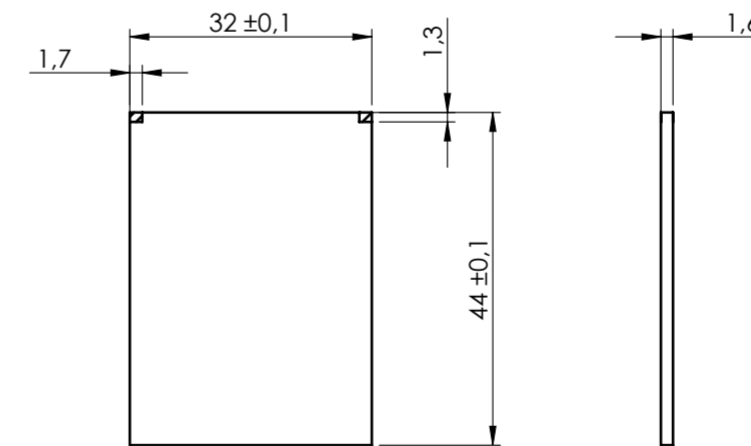


\*To use the PLUG-IN terminals in Modulbox ONE use plug-in adapter P05000003E (5/5.08 pitch) and P05000004E (7.5/7.62 pitch)

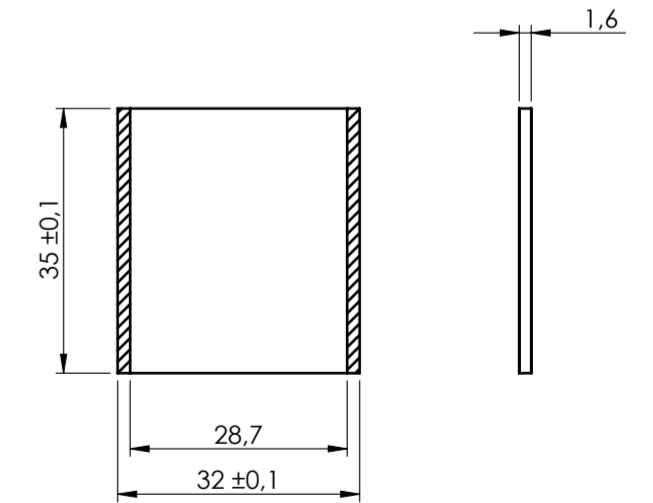
PCB B



PCB V2



PCB V1



General Tolerance UNI EN 22768/1 Media (m)					Sheet:
from 0.5 to 3 ± 0.1	from 3 to 6 ± 0.1	from 6 to 30 ± 0.2	from 30 to 120 ± 0.3	from 120 to 400 ± 0.5	PCB
Scale:	IM:	Drawn:	Checked:	Date:	Material:
1:1	--	R.N.	R.N.	11/04/2023	Process:
Dimension in mm		Replaces the:		Derived from:	Weight:
		M-04057-01		--	gr
Description: KIT CONTENITORE MODULBOX XTS 2MS3-C KIT ENCLOSURE MODULBOX XTS 2MS3-C Drawing nr.: <b>3_250_00031</b>					Cod. Mold:
					Rev.:
					- A2

NO COMPONENTS AREA