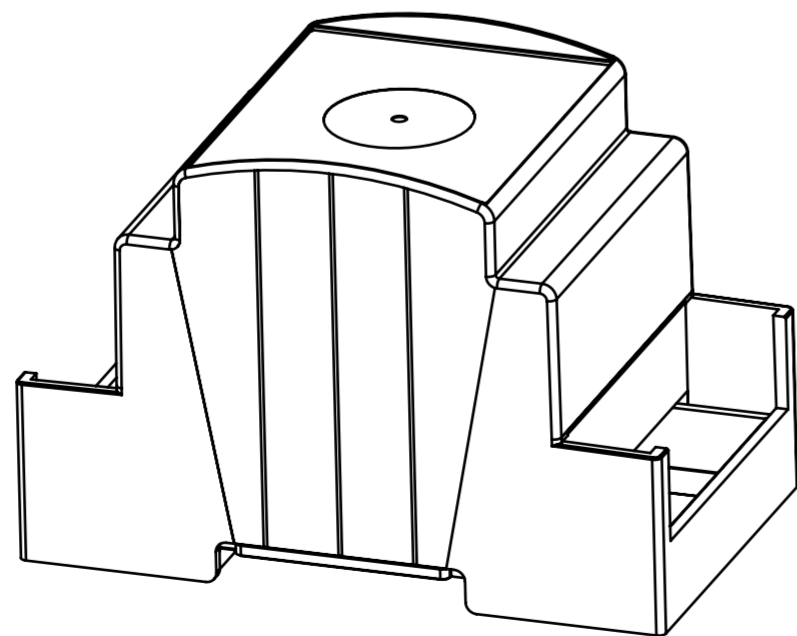
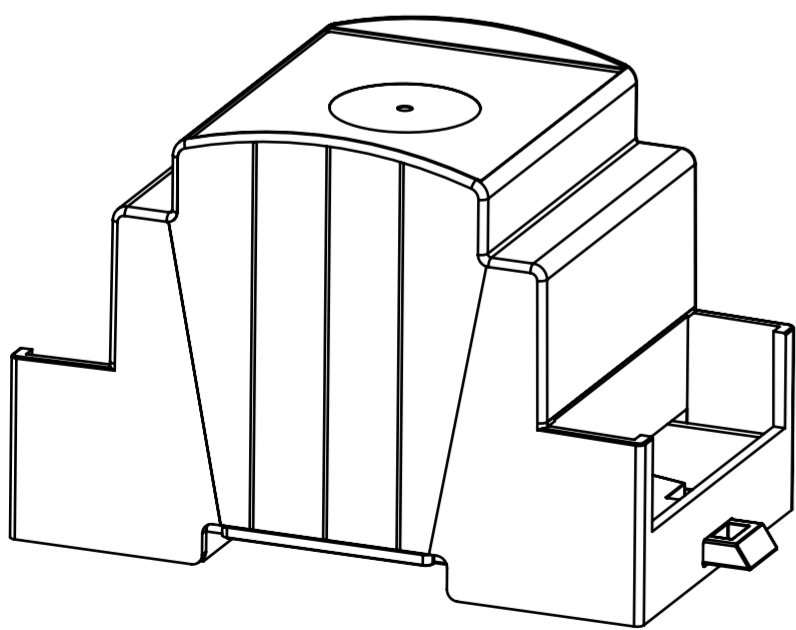
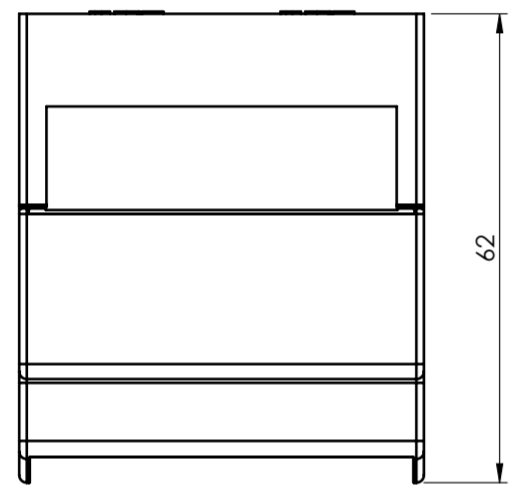
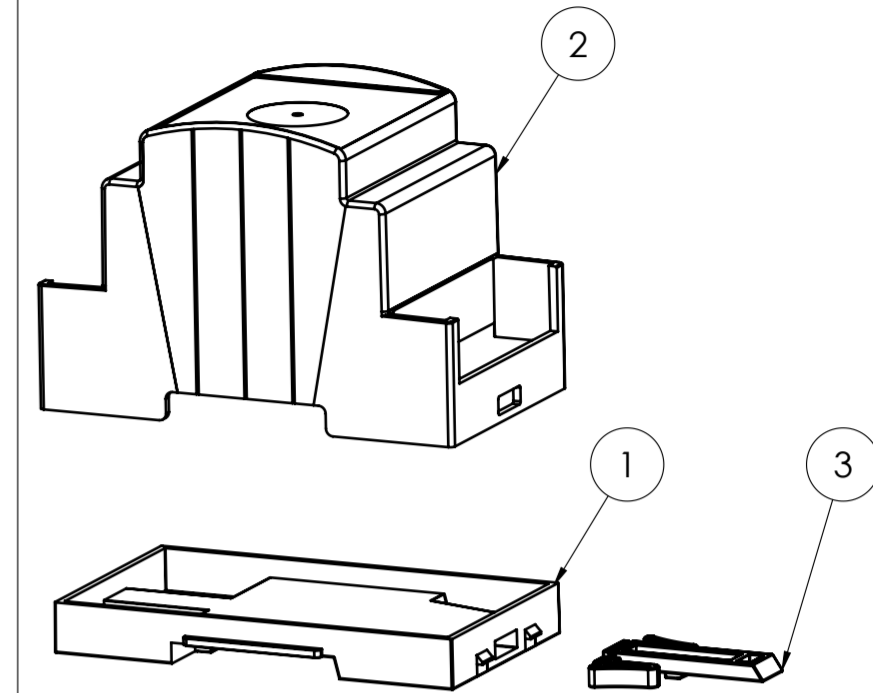
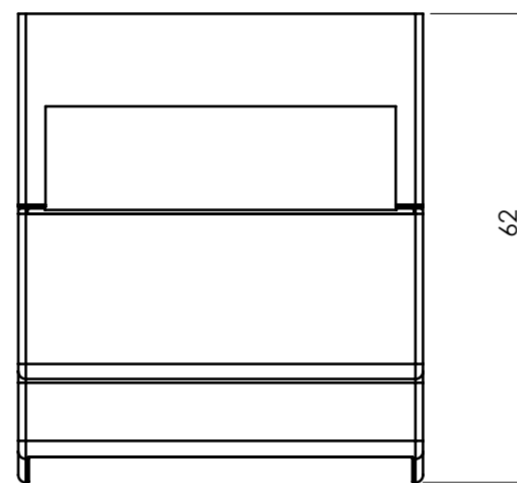
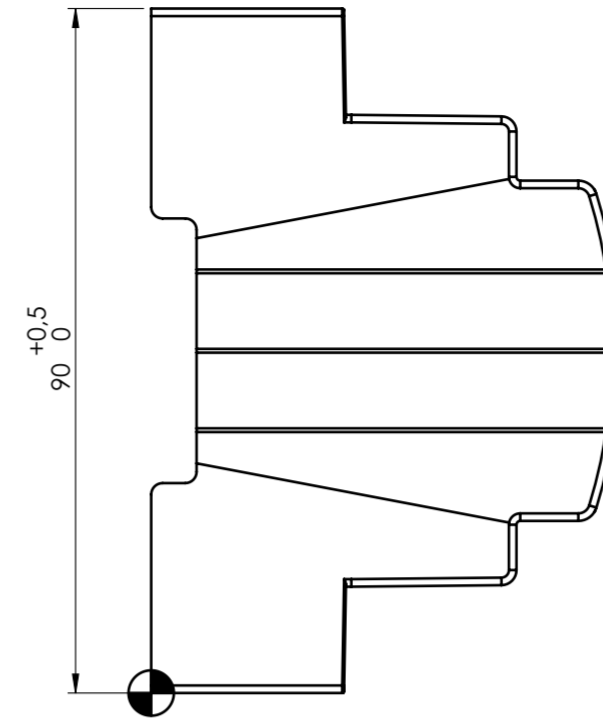
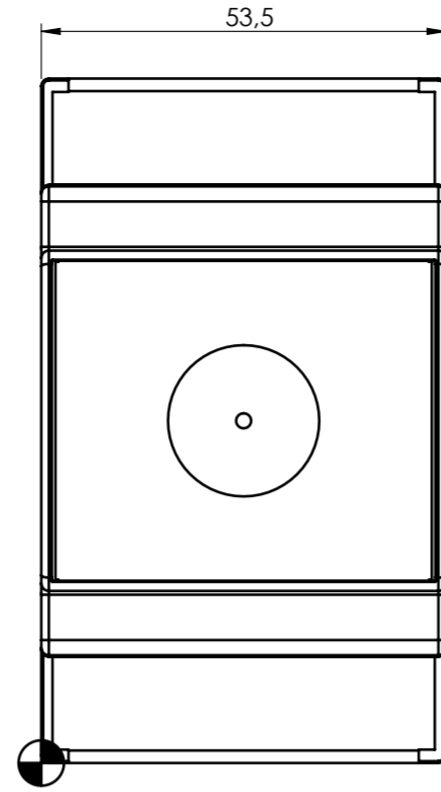


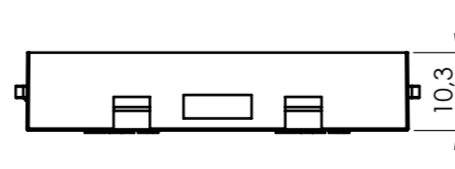
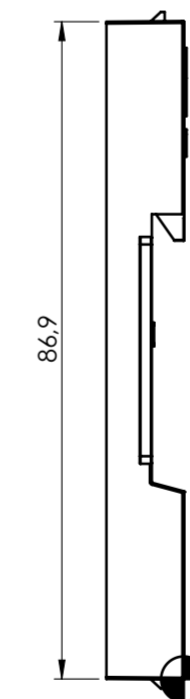
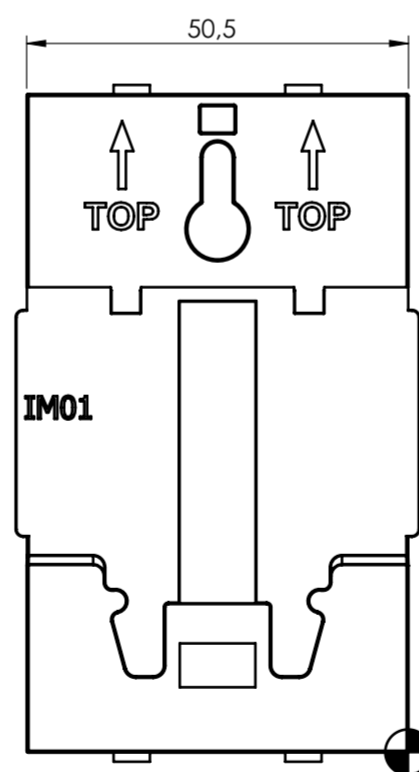
SECTION A-A



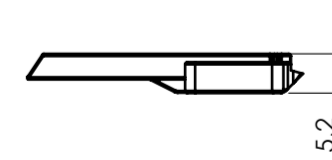
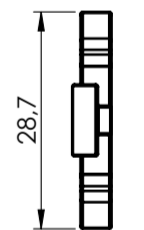
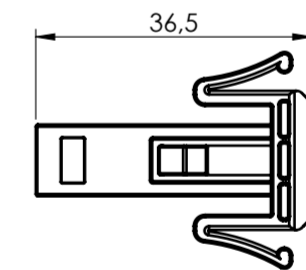
BADY ENCLOSURE



BASE



HOOK



General information:  
 - Workpiece zero point for mechanical processing  
 - Minimum recommended radius for machining = R1.0 mm  
 - Mounting rail like EN 60715: TH 35-7.5 or TH 35-15  
 - Recommended PCB outline on [www.italtronic.com](http://www.italtronic.com)

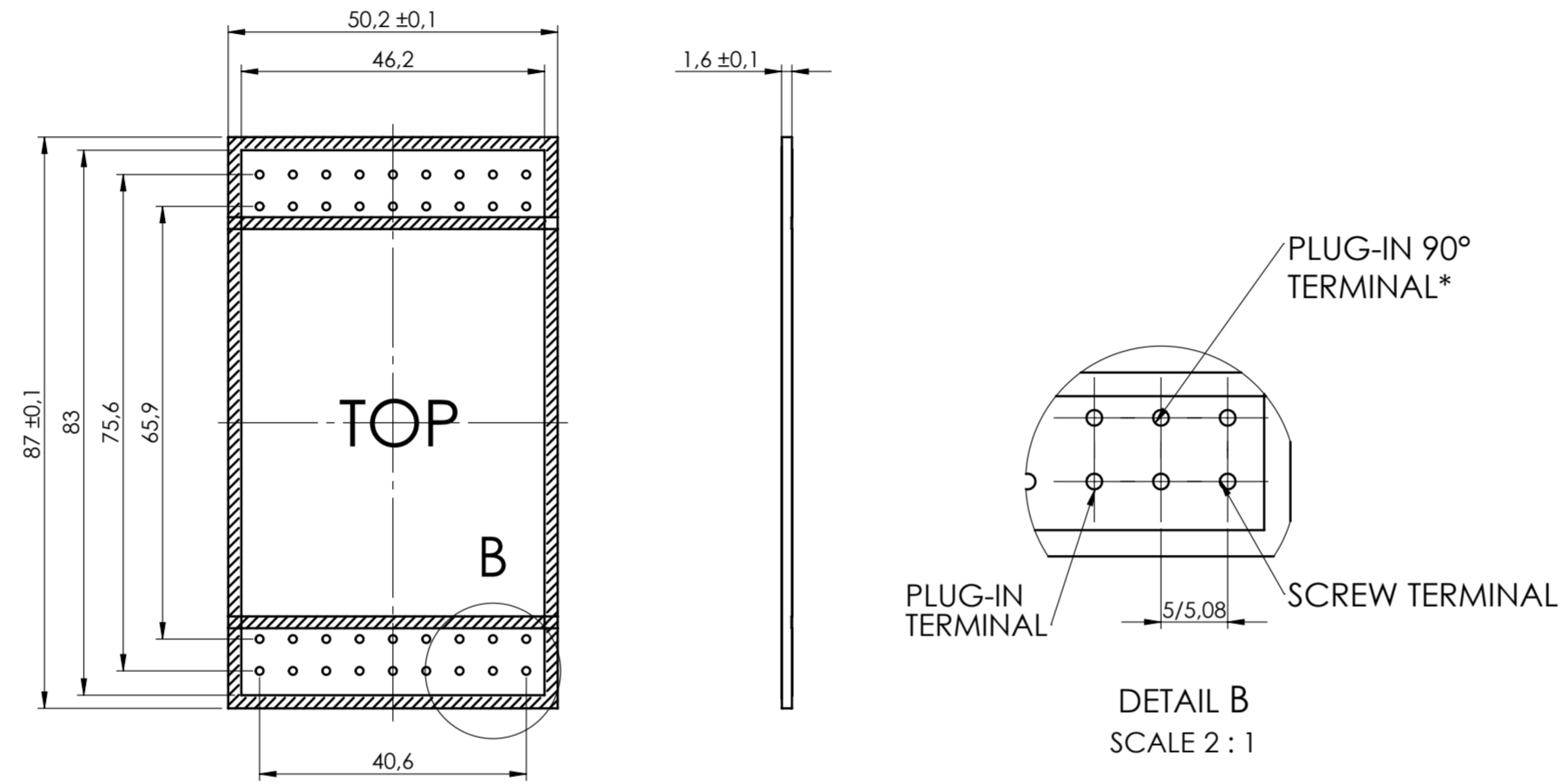
RIF.	Q.TY	DRAWING	DESCRIPTION
1	1	2_250_03677	BASE MODULBOX XT/XTS - 3M
2	1	2_250_00059	BODY MODULBOX XTS CLOSED 3MC53-A
3	1	2_250_00072	HOOK FOR MODULBOX XT-XTS

General Tolerance UNI EN 22768/1 Media (m)					Sheet:
from 0.5 to 3 ± 0.1	from 3 to 6 ± 0.1	from 6 to 30 ± 0.2	from 30 to 120 ± 0.3	from 120 to 400 ± 0.5	1
Scale:	IM:	Drawed:	Checked:	Date:	Process:
1:1	--	R.N.	R.N.	14/04/2023	--
Dimension in mm		Replaces the:	Derived from:	Weight:	Cod. Mold:
		M-04068-01	--	gr	--

		Description: KIT CONTENITORE MODULBOX XTS 3MC53-A KIT ENCLOSURE MODULBOX XTS 3MC53-A		Rev.:	
<a href="http://italtronic.com">italtronic.com</a>		Drawing nr.: <b>3_250_00039</b>		-	A2

# PCB A

Max height of the terminal:  
 Modulbox XT/XTS: 18.5 mm  
 Modulbox ONE: 20 mm



\*To use the PLUG-IN terminals in Modulbox ONE use plug-in adapter P05000003E (5/5.08 pitch) and P05000004E (7.5/7.62 pitch)

NO COMPONENTS AREA

General Tolerance UNI EN 22768/1 Media (m)						Sheet:
from 0.5 to 3 $\pm 0.1$	from 3 to 6 $\pm 0.1$	from 6 to 30 $\pm 0.2$	from 30 to 120 $\pm 0.3$	from 120 to 400 $\pm 0.5$		PCB
Scale:	IM:	Drawn:	Checked:	Date:	Material:	Process:
1:1	--	R.N.	R.N.	14/04/2023		
Dimension in mm		Replaces the:		Derived from:	Weight:	Cod. Mold:
		M-04068-01		--	gr	--
		Description:		KIT CONTENITORE MODULBOX XTS 3MCS3-A		Rev.:
		KIT ENCLOSURE MODULBOX XTS 3MCS3-A		Drawing nr.:		-
		3_250_00039				A2

