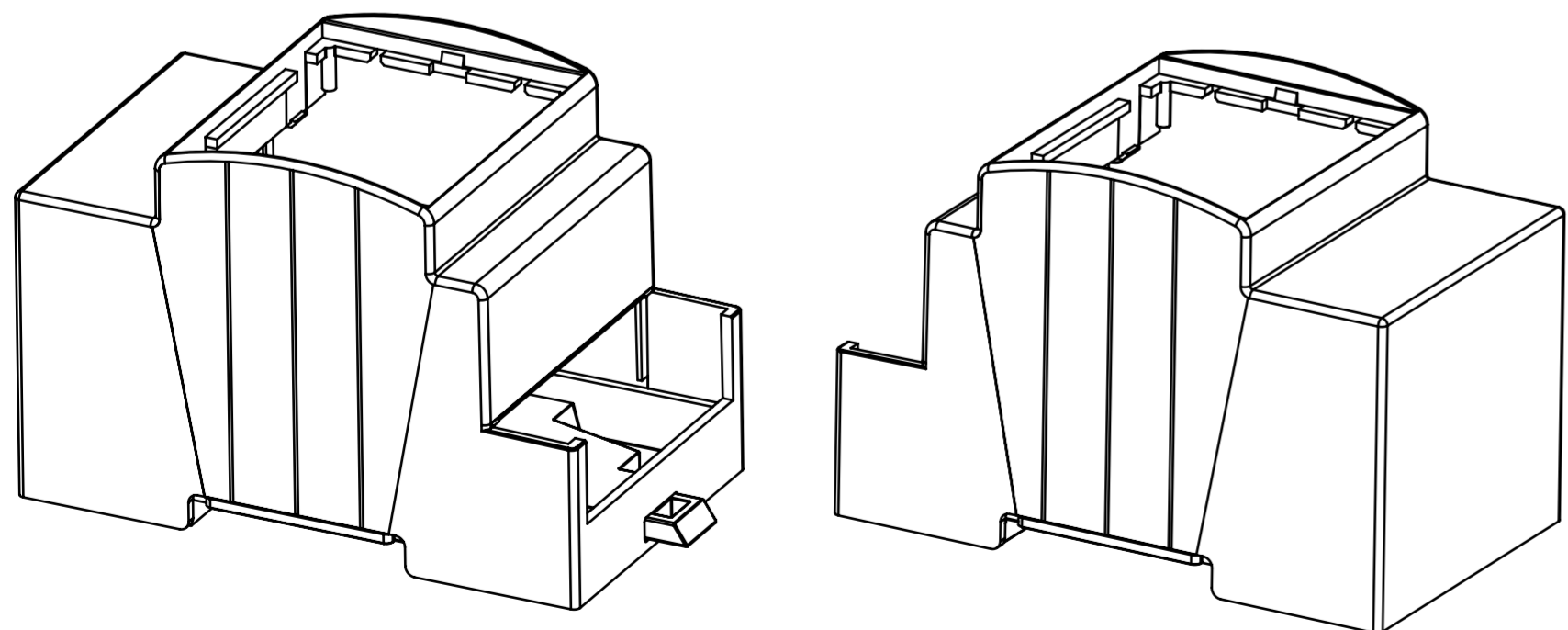
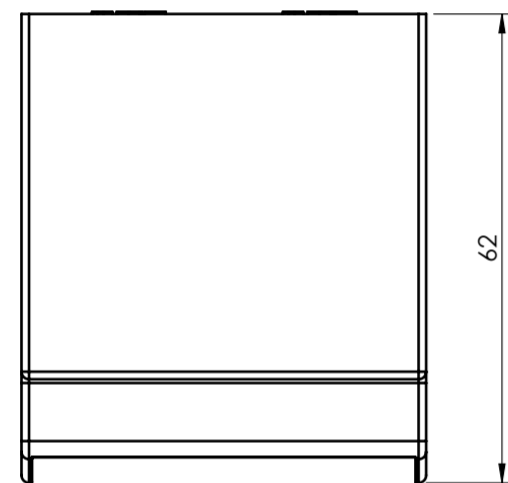
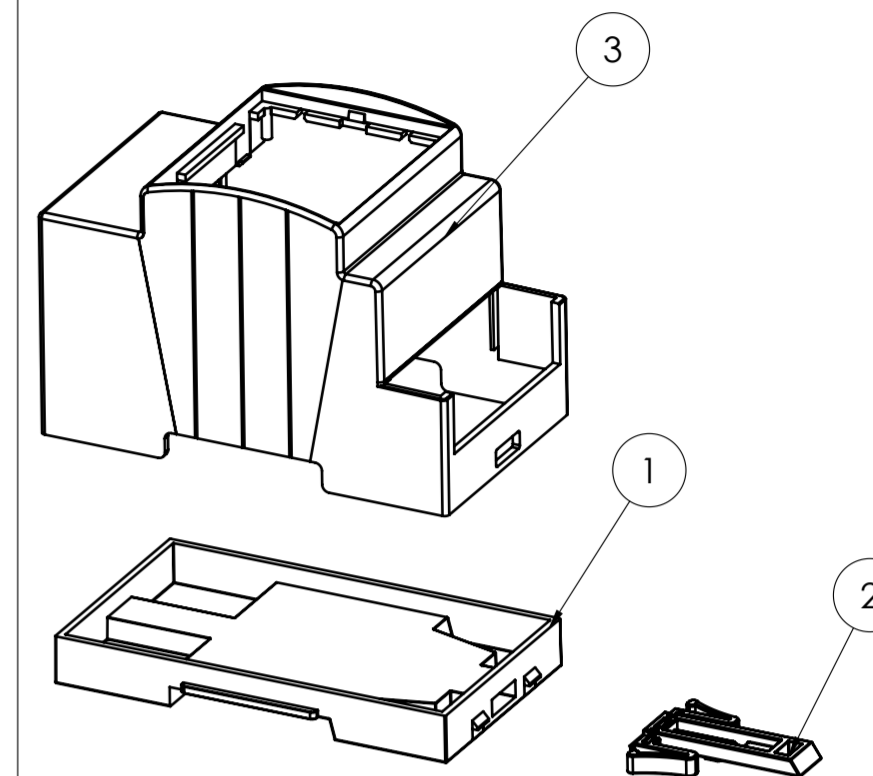
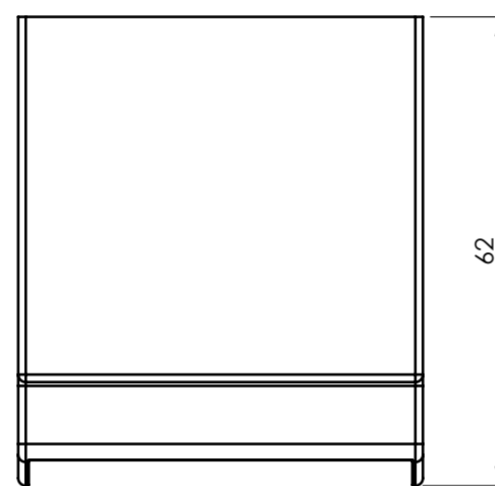
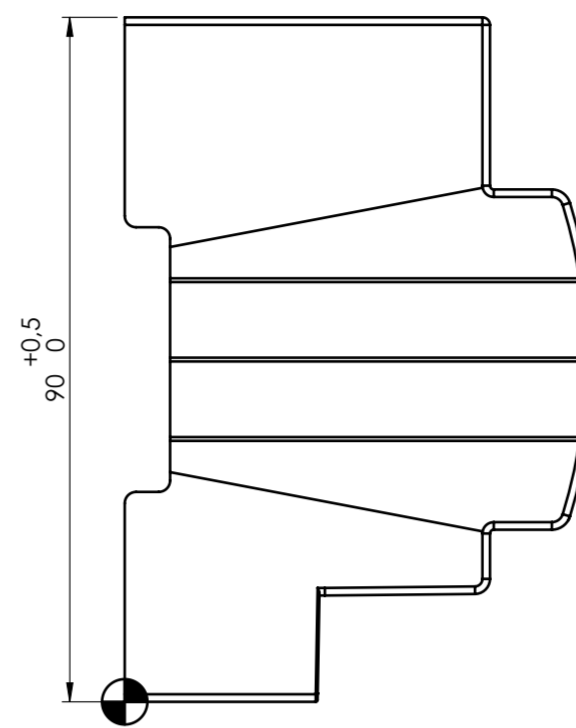
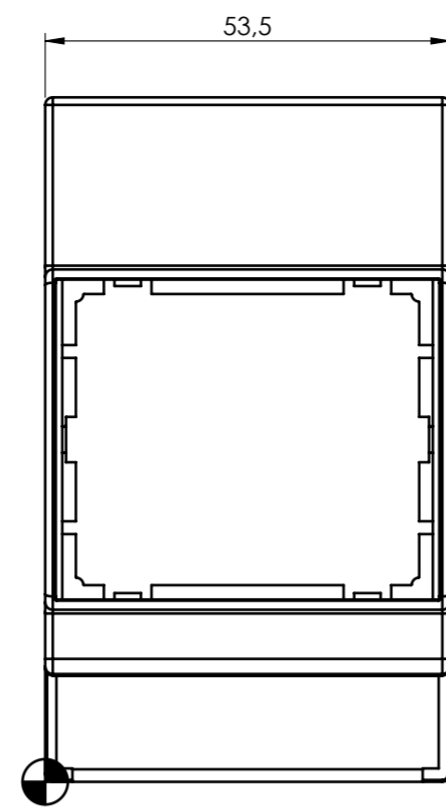


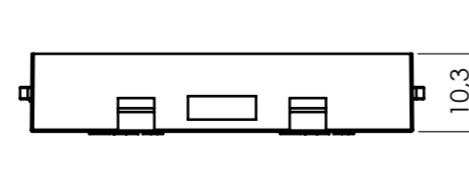
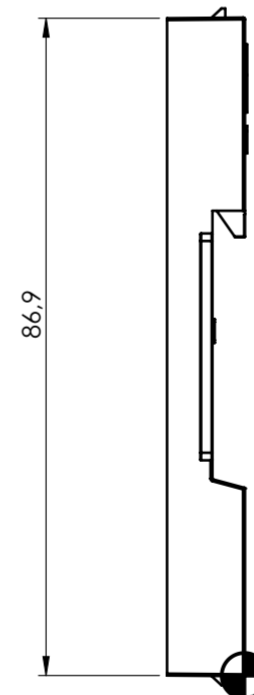
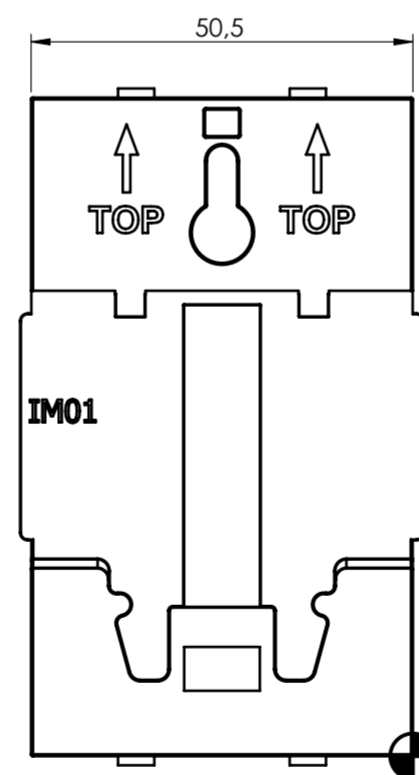
SECTION A-A



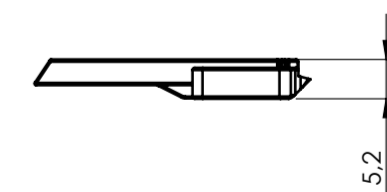
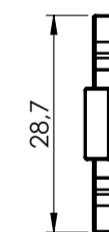
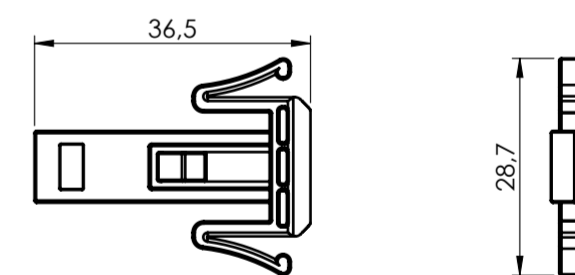
BODY ENCLOSURE



BASE



HOOK



- General information:
- Workpiece zero point for mechanical processing
  - Minimum recommended radius for machining = R1.0 mm
  - Mounting rail like EN 60715: TH 35-7.5 or TH 35-15
  - Recommended PCB outline on [www.italtronic.com](http://www.italtronic.com)

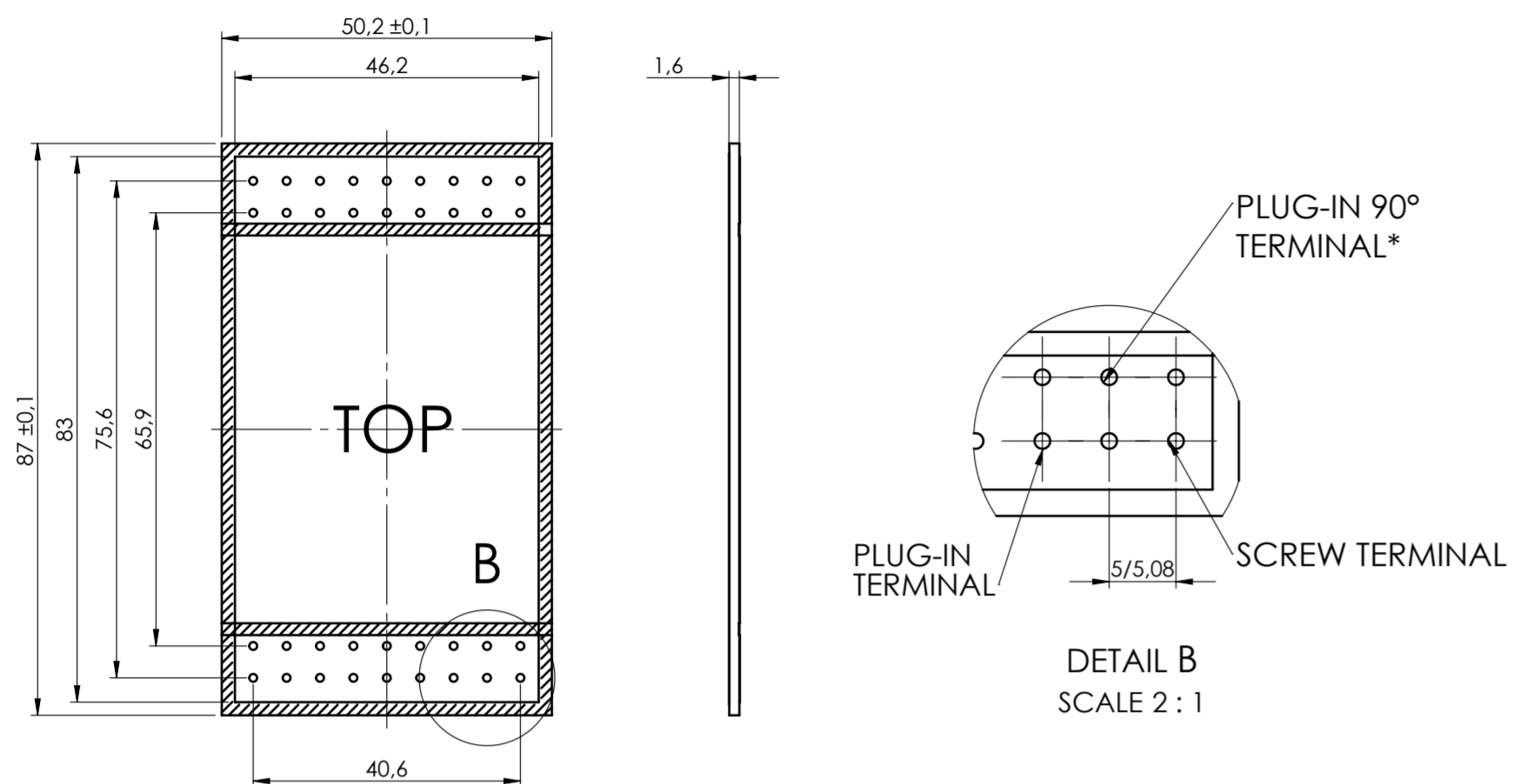
RIF.	Q.TY	DRAWING	DESCRIPTION
1	1	2_250_03677	BASE MODULBOX XT/XTS - 3M
2	1	2_250_00072	HOOK FOR MODULBOX XT-XTS
3	1	2_250_00061	BODY MODULBOX XTS 3MH53-B

General Tolerance UNI EN 22768/1 Media (m)					Sheet:
from 0.5 to 3	from 3 to 6	from 6 to 30	from 30 to 120	from 120 to 400	1
± 0.1	± 0.1	± 0.2	± 0.3	± 0.5	
Scale:	IM:	Drawn:	Checked:	Date:	Material:
1:1	--	R.N.	R.N.	14/04/2023	--
Dimension in mm		Replaces the:		Derived from:	Weight:
		M-04070-01		--	gr

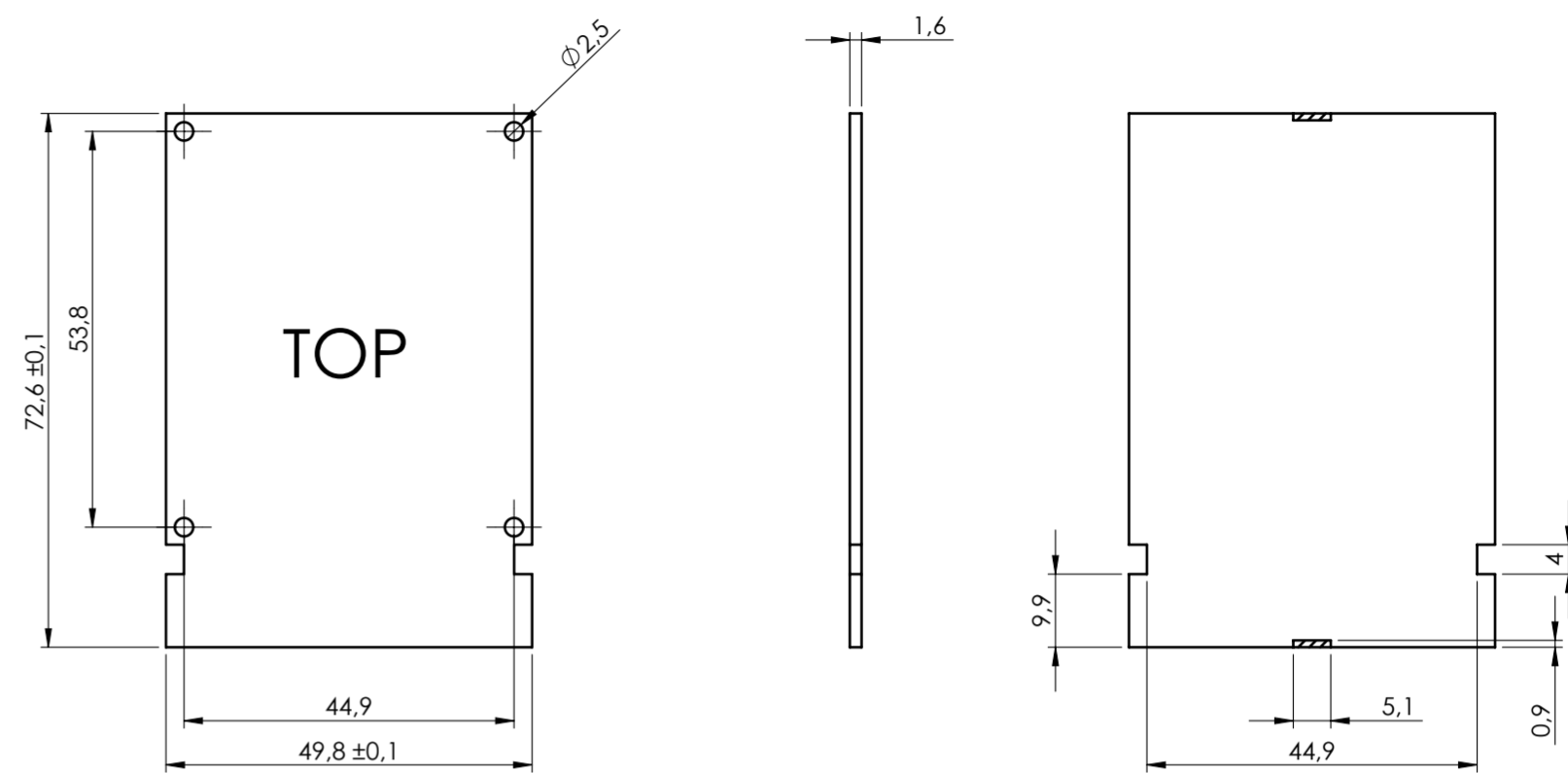
		Description: KIT CONTENITORE MODULBOX XTS 3MH53-B KIT ENCLOSURE MODULBOX XTS 3MH53-B Drawing nr.: <b>3_250_00041</b>		Rev.: - A2
--	--	---	--	---------------

PCB A

Max height of the terminal:  
 Modulbox XT/XTS: 18.5 mm  
 Modulbox ONE: 20 mm

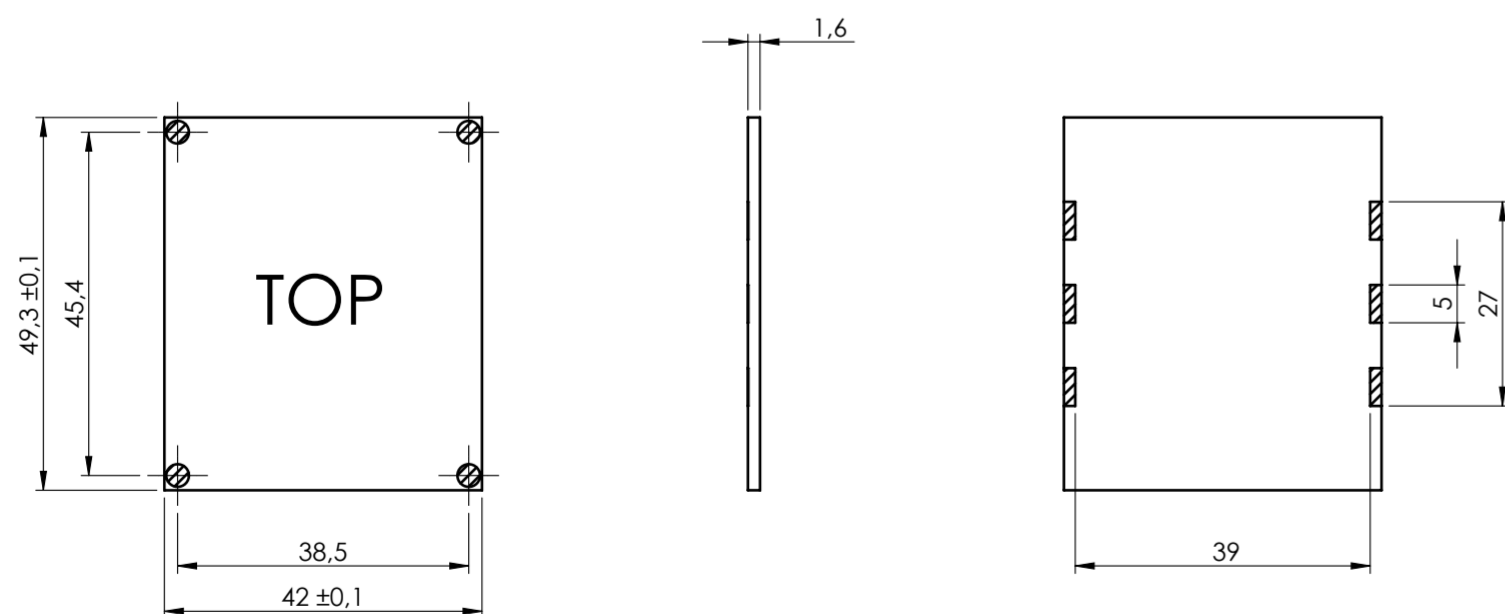


PCB B

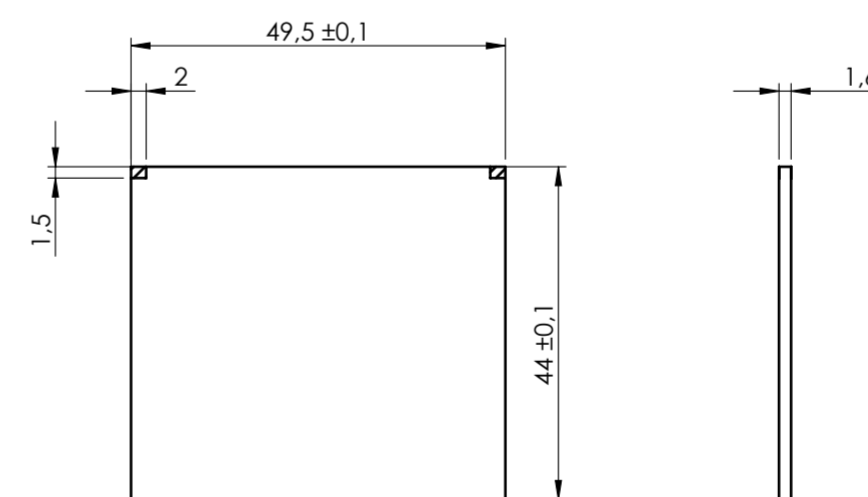


\*To use the PLUG-IN terminals in Modulbox ONE use plug-in adapter P05000003E (5/5.08 pitch) and P05000004E (7.5/7.62 pitch)

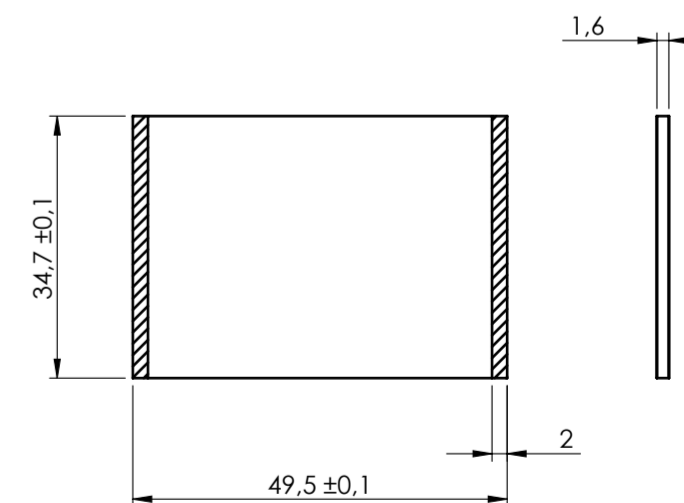
PCB C



PCB V2



PCB V1



General Tolerance UNI EN 22768/1 Media (m)					Sheet:
from 0.5 to 3 ± 0.1	from 3 to 6 ± 0.1	from 6 to 30 ± 0.2	from 30 to 120 ± 0.3	from 120 to 400 ± 0.5	PCB
Scale: 1:1	IM: --	Drawn: R.N.	Checked: R.N.	Date: 14/04/2023	Process:
Dimension in mm		Replaces the: M-04070-01		Weight: gr	Cod. Mold: --

italtronic  
 enclosures for electronics  
 italtronic.com

Description:  
 KIT CONTENITORE MODULBOX XTS 3MH53-B  
 KIT ENCLOSURE MODULBOX XTS 3MH53-B

Drawing nr.: **3\_250\_00041**

Rev.: - A2

NO COMPONENTS AREA