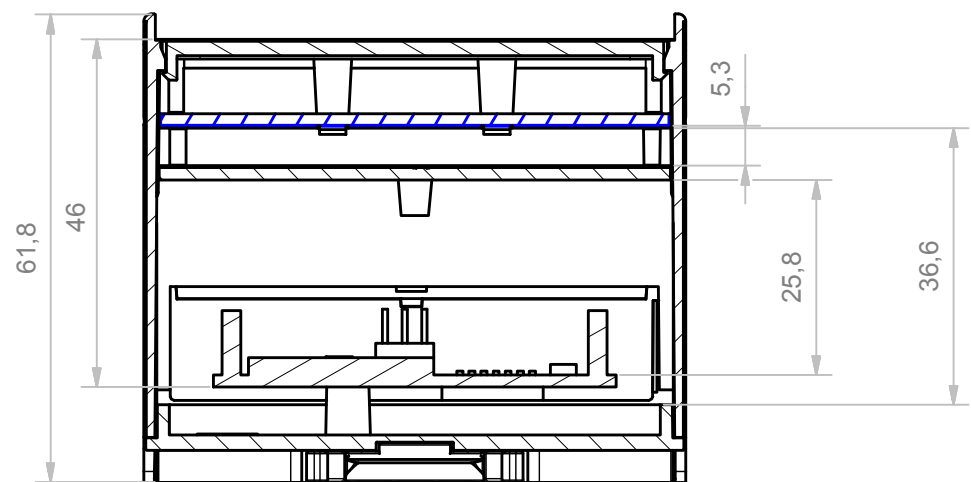
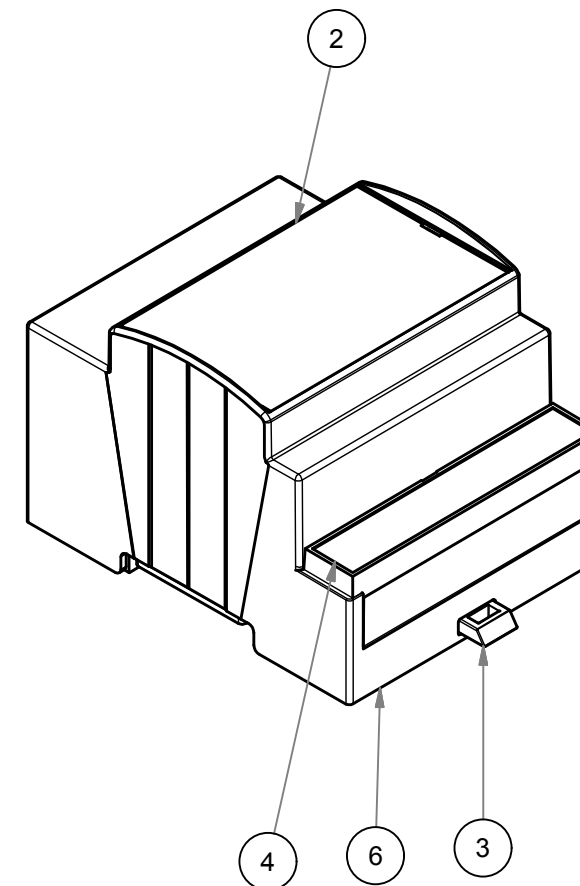
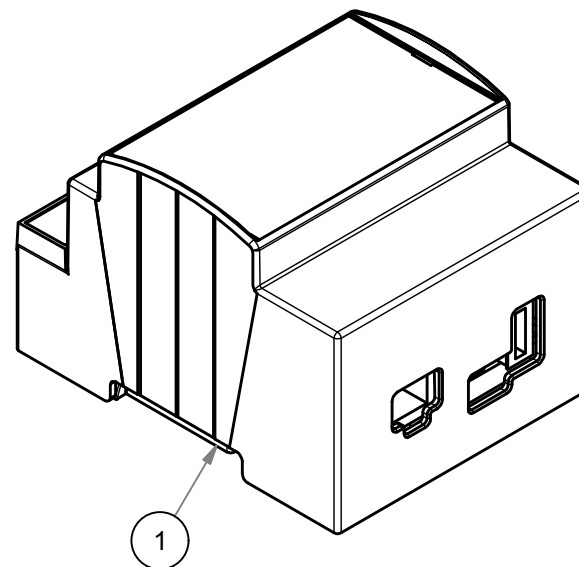


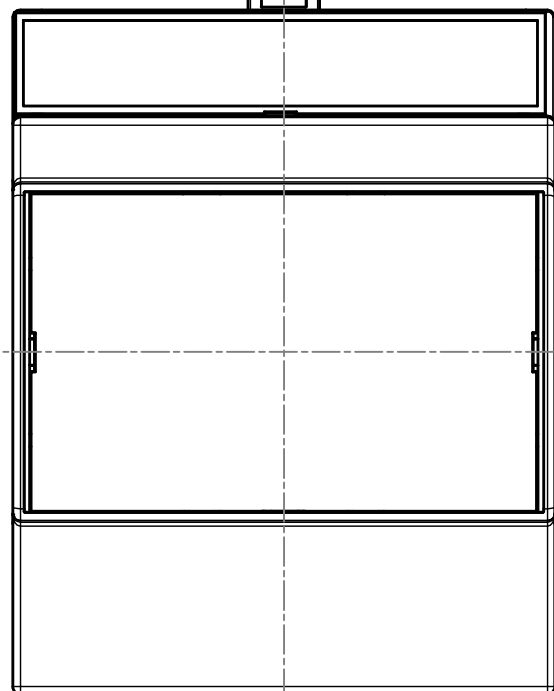
A-A



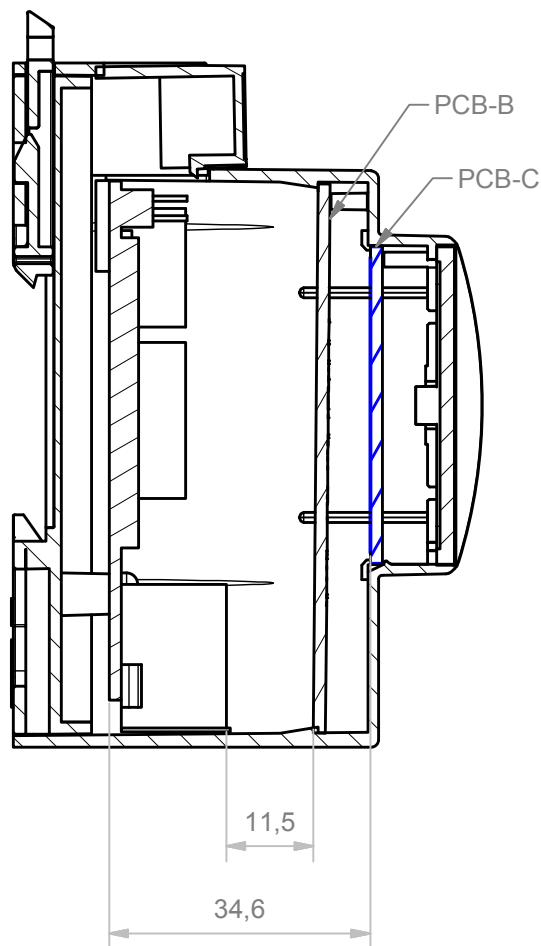
COMPONENTS LIST		
PCB TYPE	PCB DIMENS	TOLERANCE
B	67.6X72.6	±0,1 mm
C	67.4X42.0	±0,1 mm



B →



B-B



RIF.	Q.TY	DESCRIPTION	CODE
1	1	BASE 4M XT ARDUINO	1.001.05215
2	1	PANEL 4M WITHOUT FRAME	1.001.00346
3	1	MODULAR HOOK LONG	1.001.01900
4	1	COPRIMORSETTO SENZA FORATURA 4MPN	1.001.00219
5	3	VITE 2.9 X 6.5 TRONCA	8.100.00003
6	1	CORPO CONTENITORE 4M53-B XTS PER ARDUINO YUN	2.250.00067

General Tolerance UNI EN 22768/1 Media (m)				
from 0.5 to 3	from 3 to 6	from 6 to 30	from 30 to 120	from 120 to 400
± 0.1	± 0.1	± 0.2	± 0.3	± 0.5
Scale: 1 : 1	Sheet nr.: F17.1	Drawn:	Checked:	Date: 24/08/2018
Dimension in mm		Material:	Weight:	Cod. Mold: