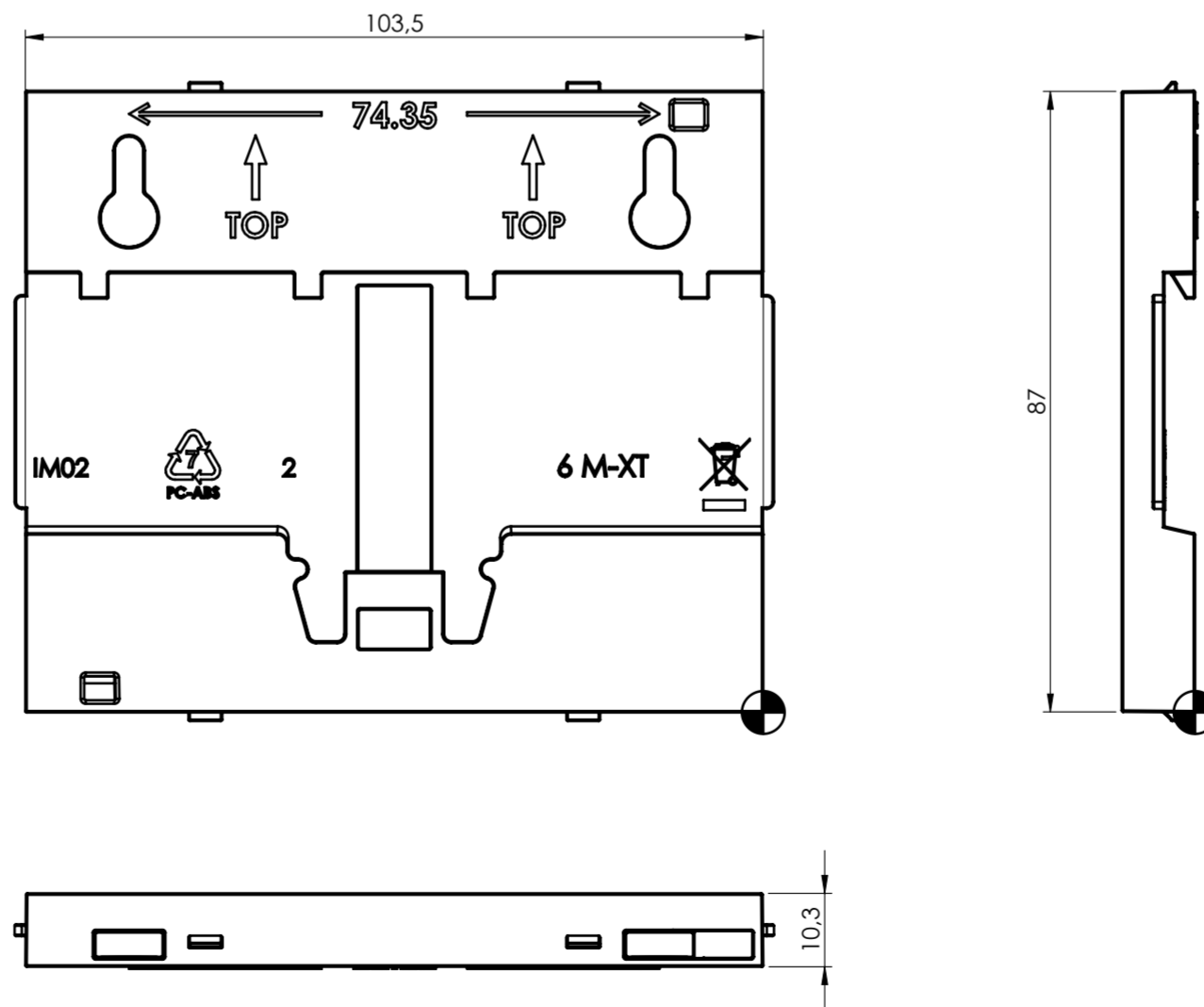
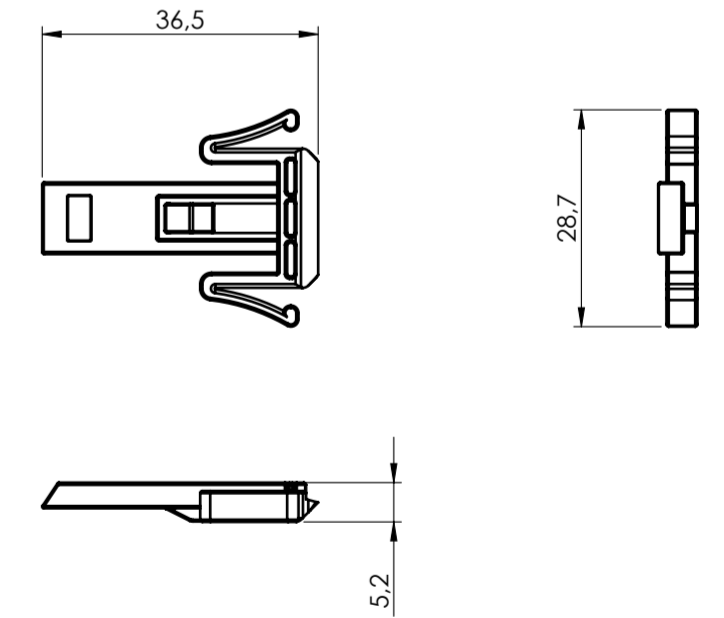


BASE



HOOK



General information:
 - Workpiece zero point for mechanical processing
 - Minimum recommended radius for machining = R1.0 mm
 - Mounting rail like EN 60715: TH 35-7.5 or TH 35-15
 - Recommended PCB outline on www.italtronic.com

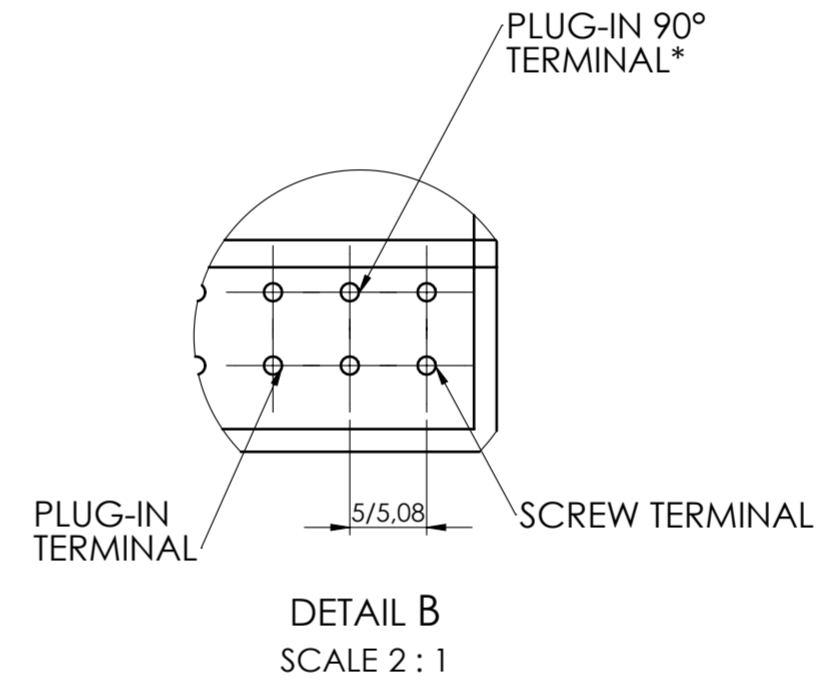
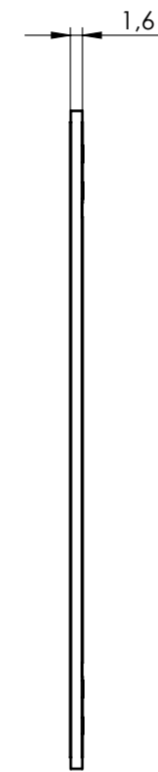
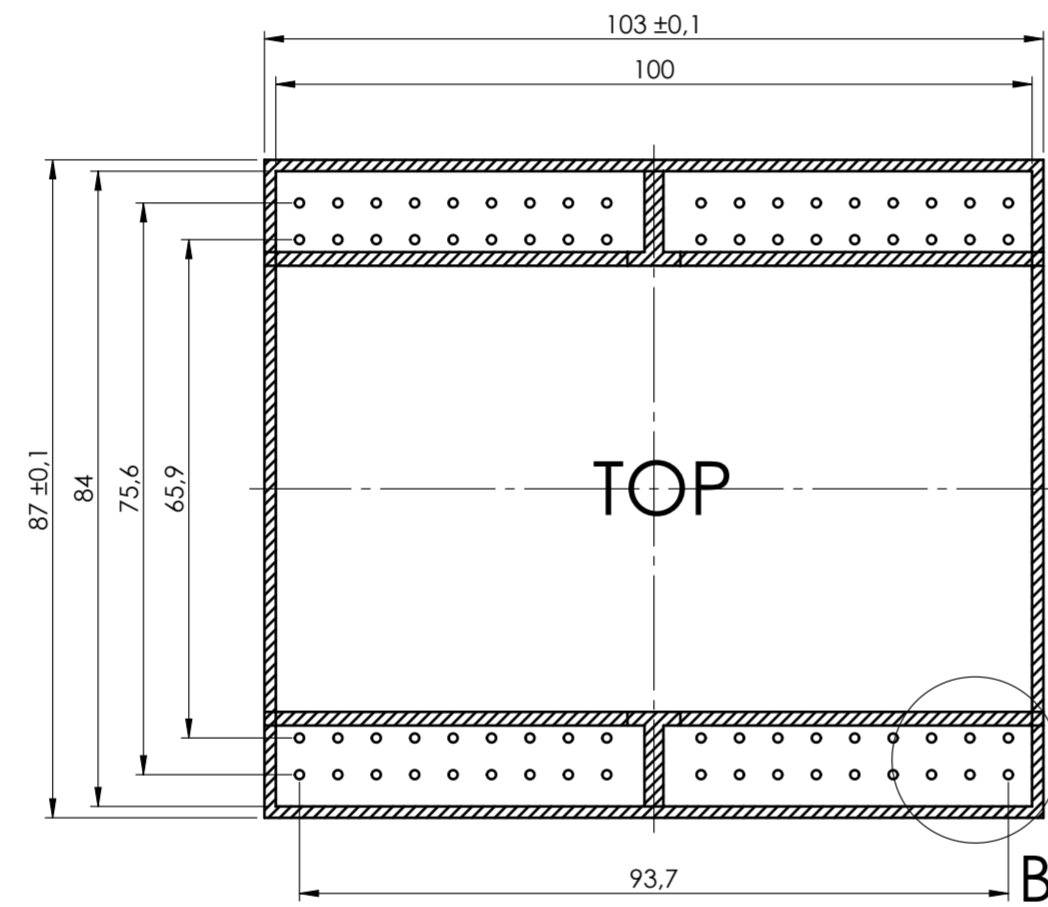
RIF.	Q.TY	DRAWING	DESCRIPTION
1	1	2_250_03661	BODY MODULBOX XTS 6MC53-B CLOSED
2	1	2_250_00137	BASE MODULBOX XT/XTS - 6M
3	1	2_250_00072	HOOK FOR MODULBOX XT-XTS

General Tolerance UNI EN 22768/1 Media (m)					Sheet:
from 0.5 to 3	from 3 to 6	from 6 to 30	from 30 to 120	from 120 to 400	1
± 0.1	± 0.1	± 0.2	± 0.3	± 0.5	
Scale:	Drawn:	Checked:	Date:	Material:	Process:
1:1		R.N.	27/06/2023		
Dimension in mm	Derived from:	Weight:	Cod. Mold:		
	--	gr	--		


 enclosures for electronics italtronic.com		Description: KIT CONTENITORE MODULBOX XTS 6MC53-B CHIUSO BASSO KIT ENCLOSURE MODULBOX CLOSED XTS 6MH53-B Drawing nr.: 3_250_00125	Rev.: - 1	A2
--	--	--	--------------	----

Max height of the terminal:
 Modulbox XT/XTS: 18.5 mm
 Modulbox ONE: 20 mm

PCB A



**To use the PLUG-IN terminals in Modulbox ONE use plug-in adapter P05000003E (5/5.08 pitch) and P05000004E (7.5/7.62 pitch)*

General Tolerance UNI EN 22768/1 Media (m)					Sheet:
from 0.5 to 3 ± 0.1	from 3 to 6 ± 0.1	from 6 to 30 ± 0.2	from 30 to 120 ± 0.3	from 120 to 400 ± 0.5	PCB
Scale: 1:1	Drawn:	Checked: R.N.	Date: 27/06/2023	Material:	Process:
Dimension in mm	The present drawing cannot be reproduced or communicated to 3rd parties, even partially, without the authorization of Italtronic. Italtronic reserves the right to protect its copyrights according to the law.		Derived from: --	Weight: gr	Cod. Mold: --
 enclosures for electronics italtronic.com			Description: KIT CONTENITORE MODULBOX XTS 6MC53-B CHIUSO BASSO KIT ENCLOSURE MODULBOX CLOSED XTS 6MH53-B		Rev.: -
			Drawing nr.: 3_250_00125		A2

 NO COMPONENTS AREA