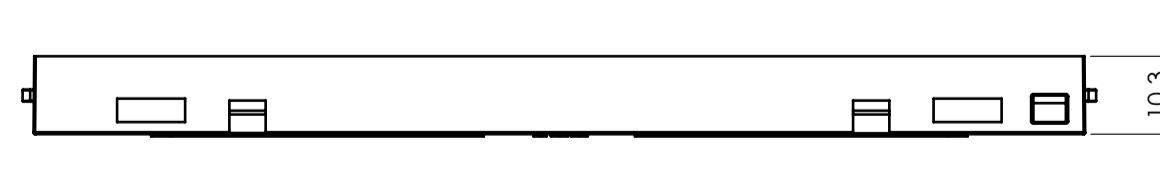
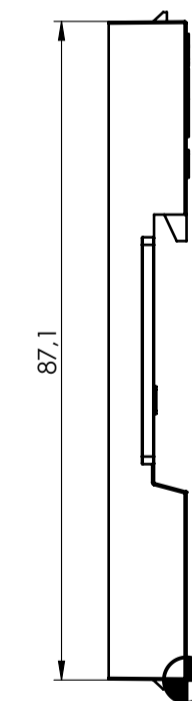
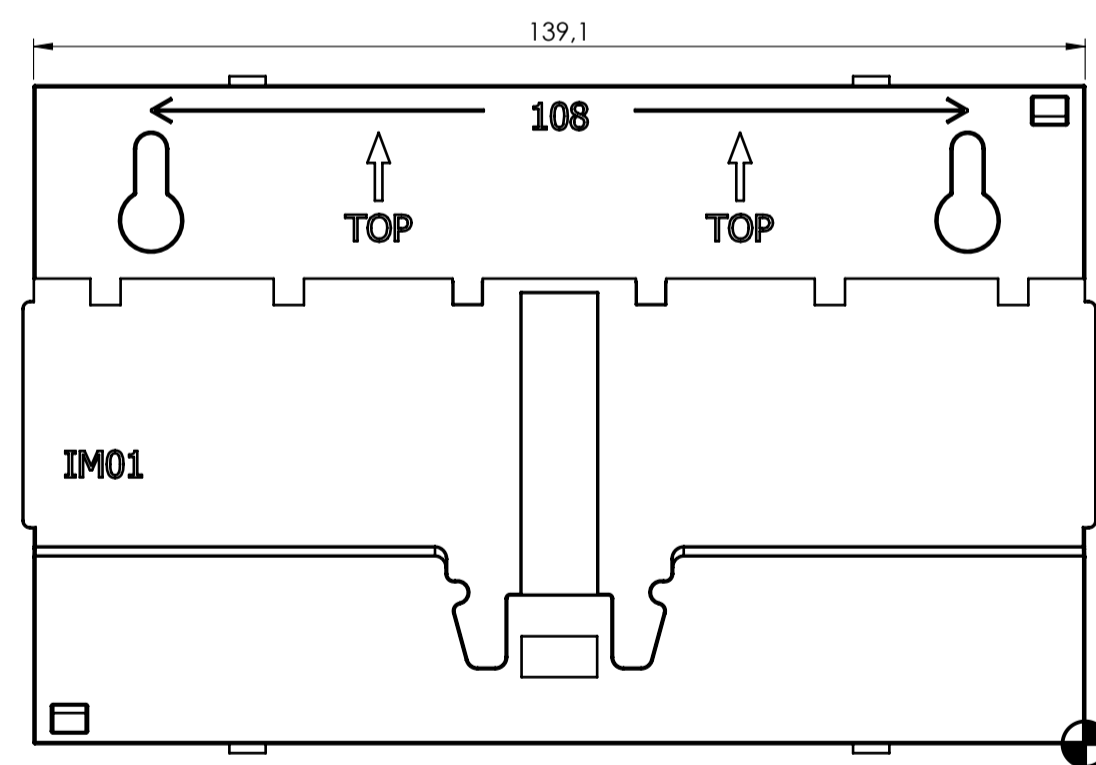
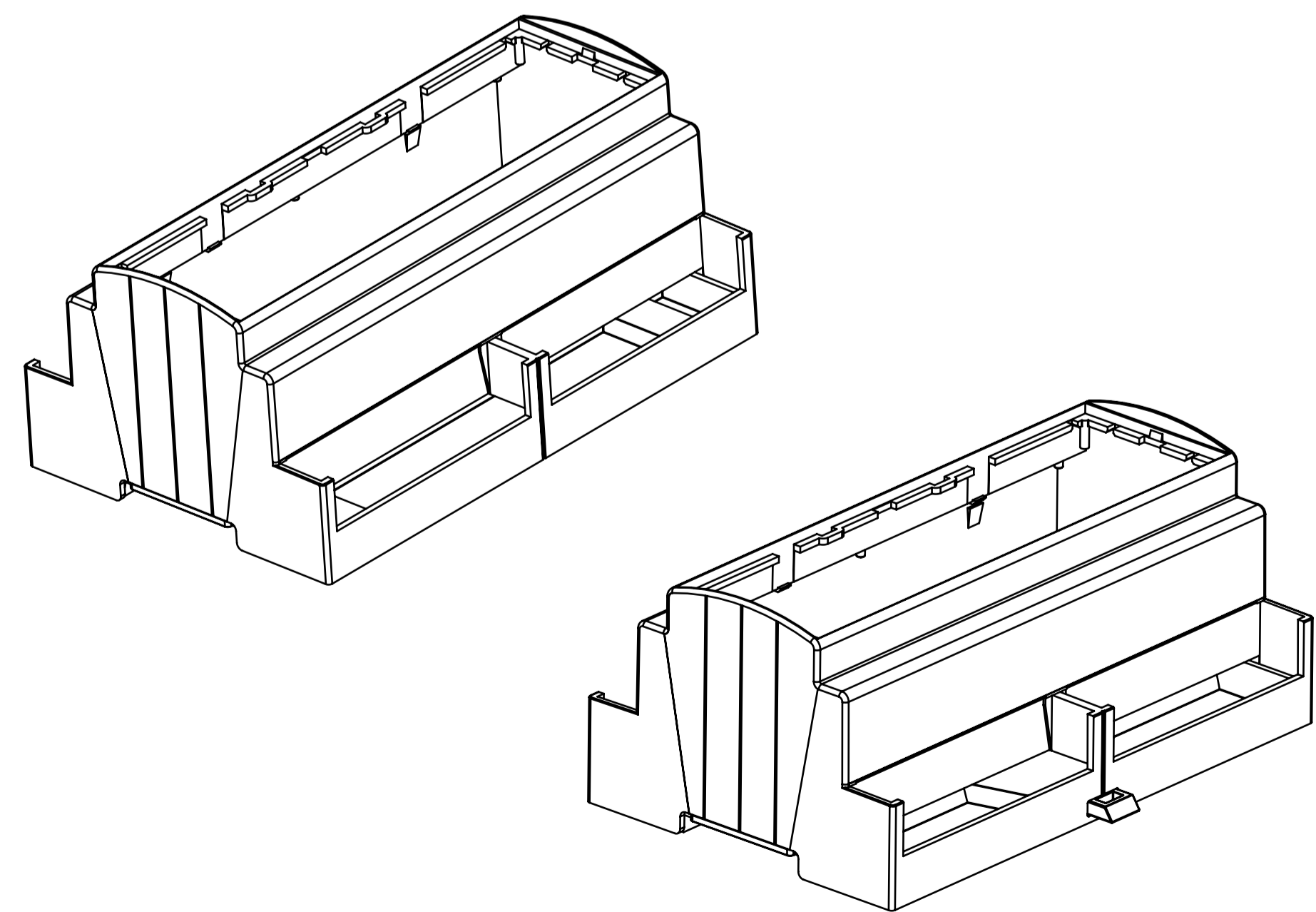
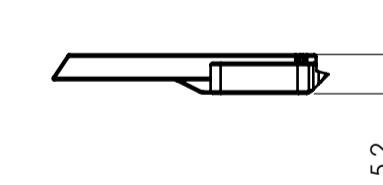
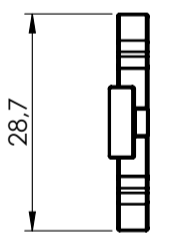
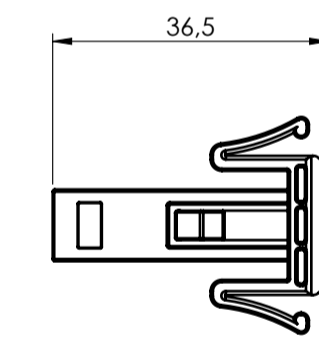


BODY ENCLOSURE

BASE



HOOK



General information:  
 ● Workpiece zero point for mechanical processing  
 - Minimum recommended radius for machining = R1.0 mm  
 - Mounting rail like EN 60715; TH 35-7.5 or TH 35-15  
 - Recommended PCB outline on [www.italtronic.com](http://www.italtronic.com)

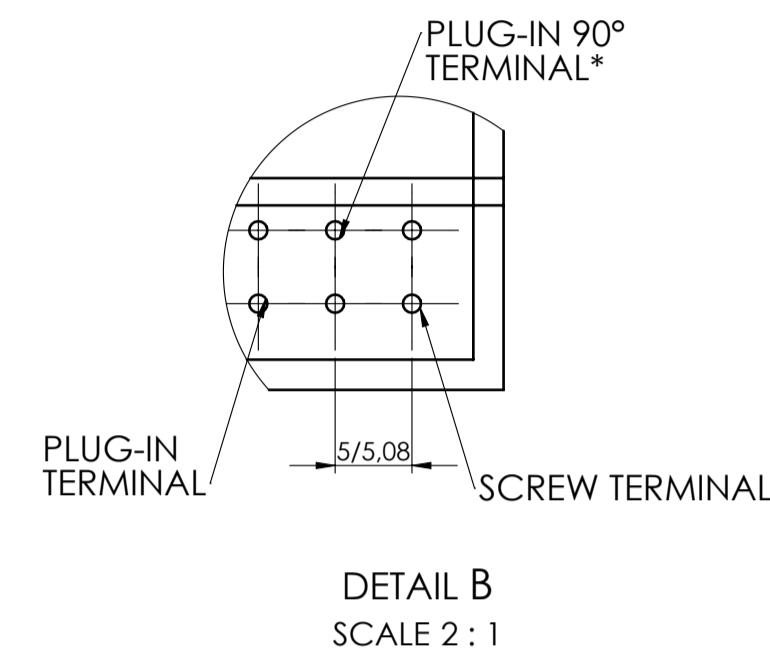
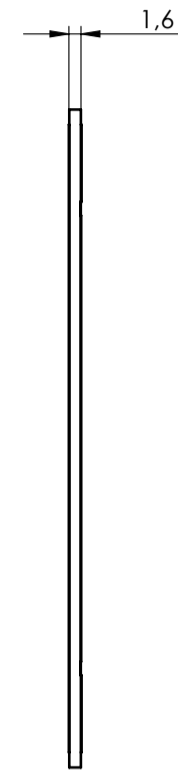
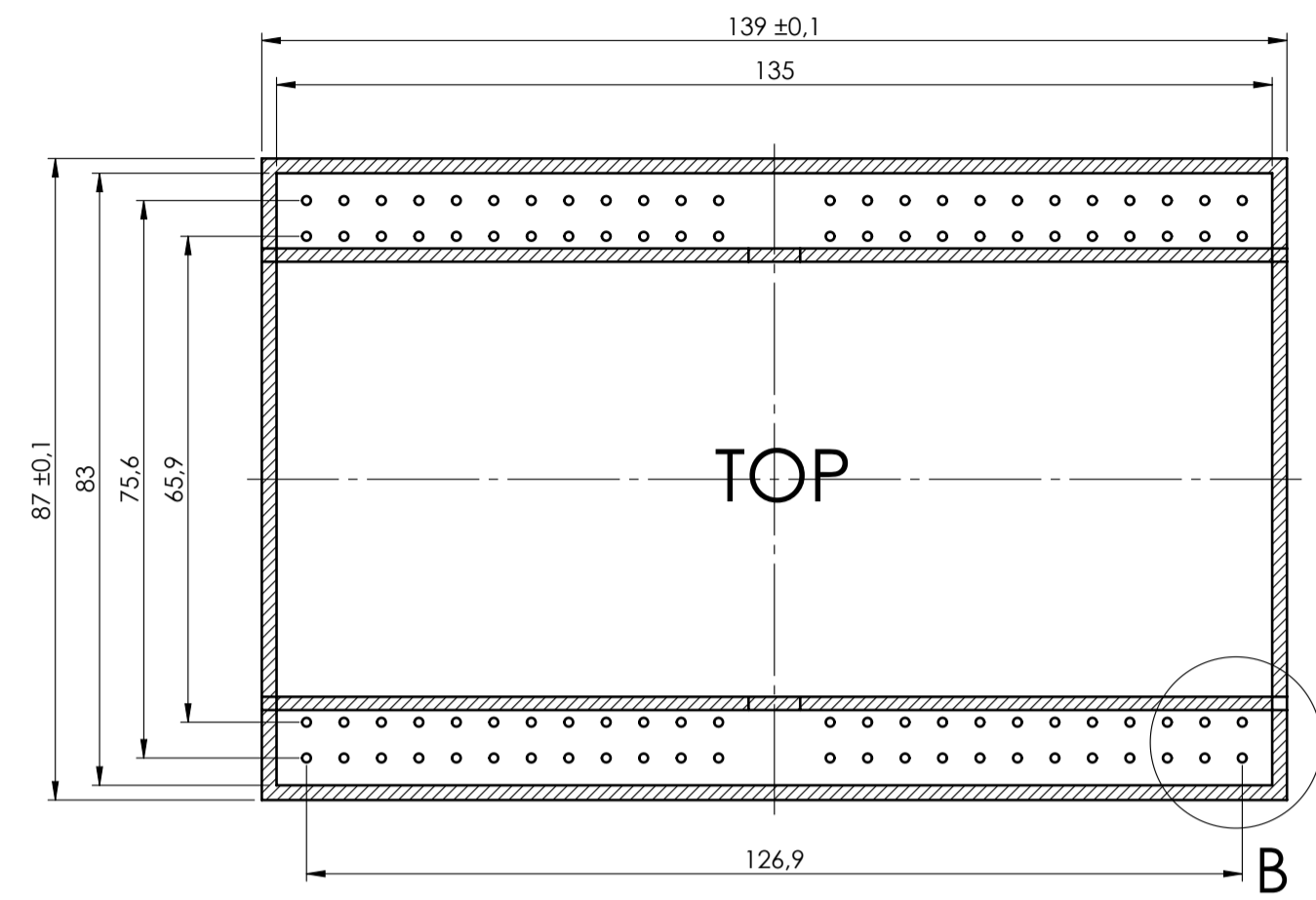
RIF.	Q.TY	DRAWING	DESCRIPTION
1	1	2_250_03663	BODY MODULBOX 8M53-A XTS
2	1	2_250_03649	BASE MODULBOX XT/XTS - 8M
3	1	2_250_00072	HOOK FOR MODULBOX XT-XTS

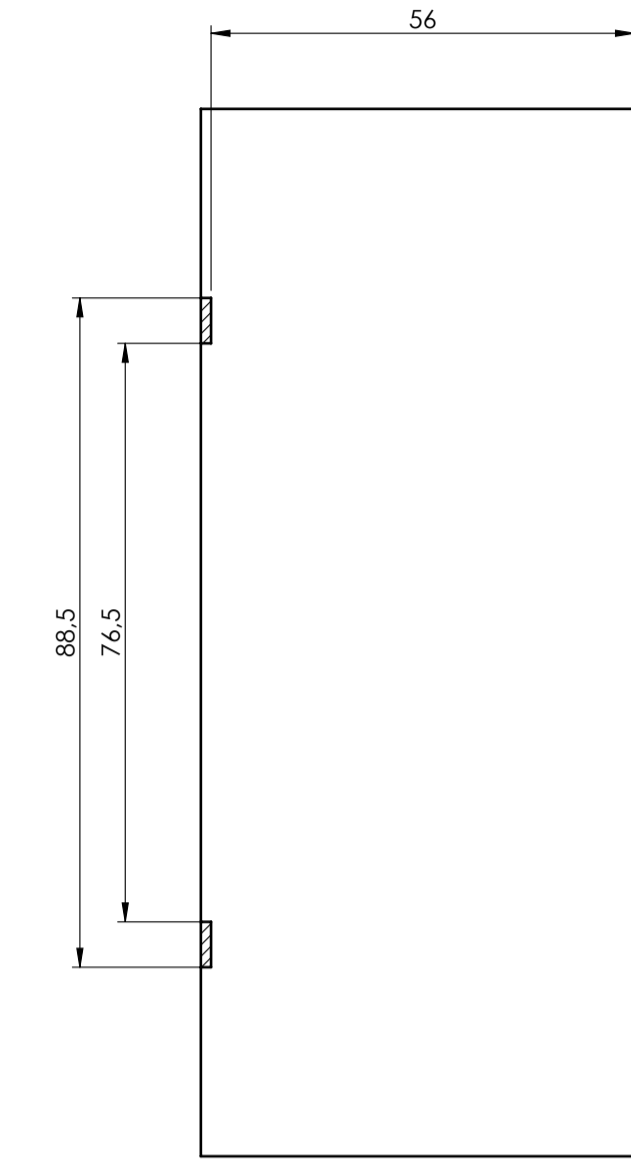
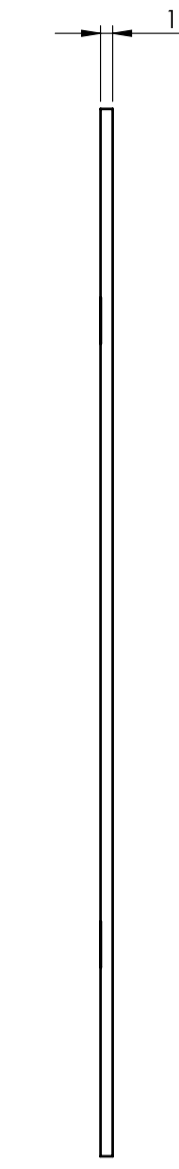
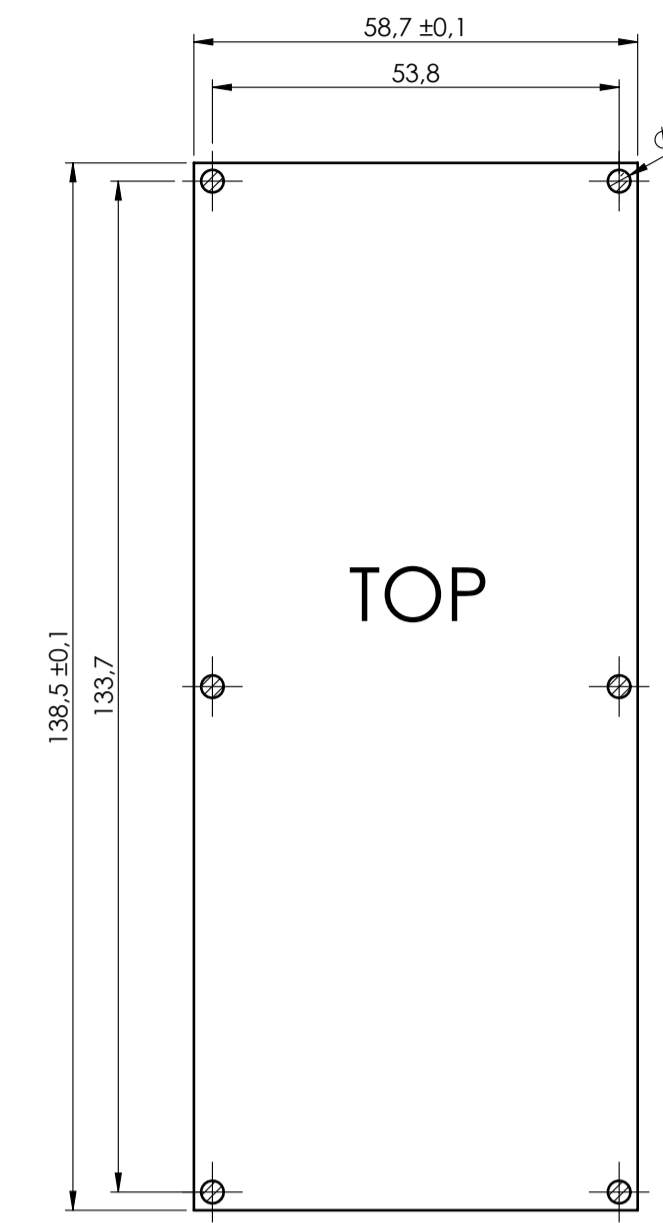
General Tolerances IRIE EN 22768/1 Media [mm]					Sheet:
from 0.5 to 3	from 3 to 6	from 6 to 30	from 30 to 120	from 120 to 400	1
±0.1	±0.1	±0.2	±0.3	±0.5	
Scale:	Drawn:	Checked:	Date:	Material:	Process:
1:1		R.N.	04/05/2023		
Dimension in mm	The owner reserves the right to modify the drawing without notice. The manufacturer of the product is not responsible for any damage caused by the use of the product.		Derived from:	Weight:	Cod. Mold:
				gr	--
 enclosures for electronics <a href="http://italtronic.com">italtronic.com</a>			Description: KIT CONTENITORE MODULBOX XTS 8M53-A KIT ENCLOSURE MODULBOX XTS 8M53-A Drawing nr.		Rev:
			3_250_00103		1
					A1

PCB A

Max height of the terminal:  
 Modulbox XT/XTS: 18,5 mm  
 Modulbox ONE: 20 mm

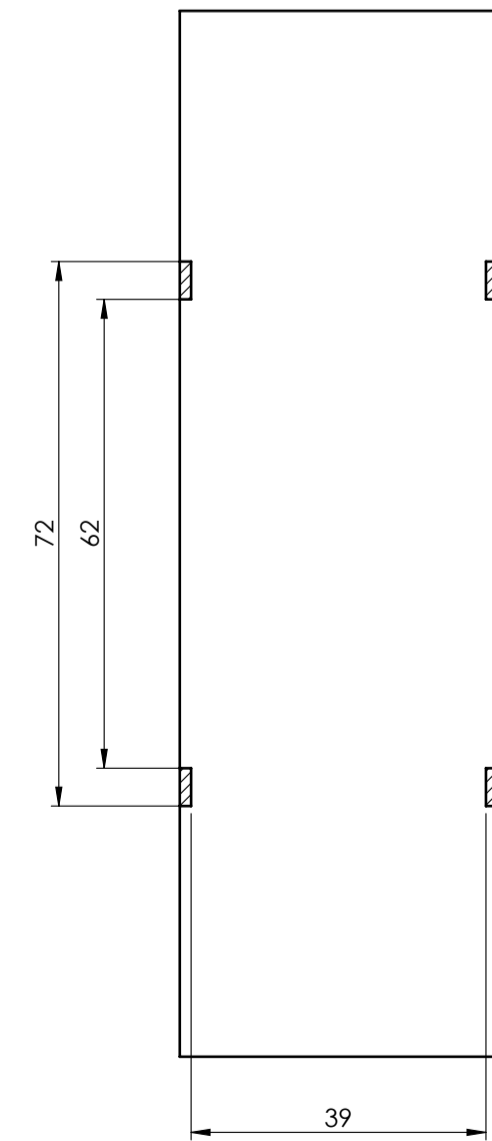
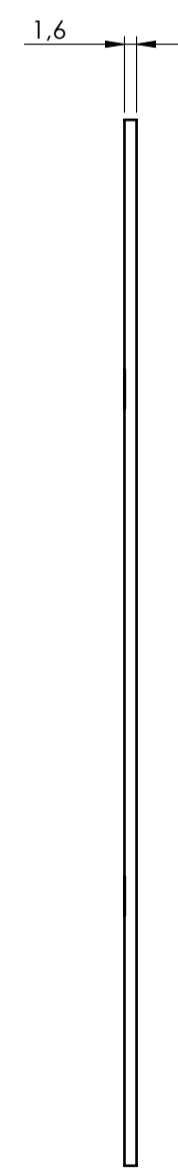
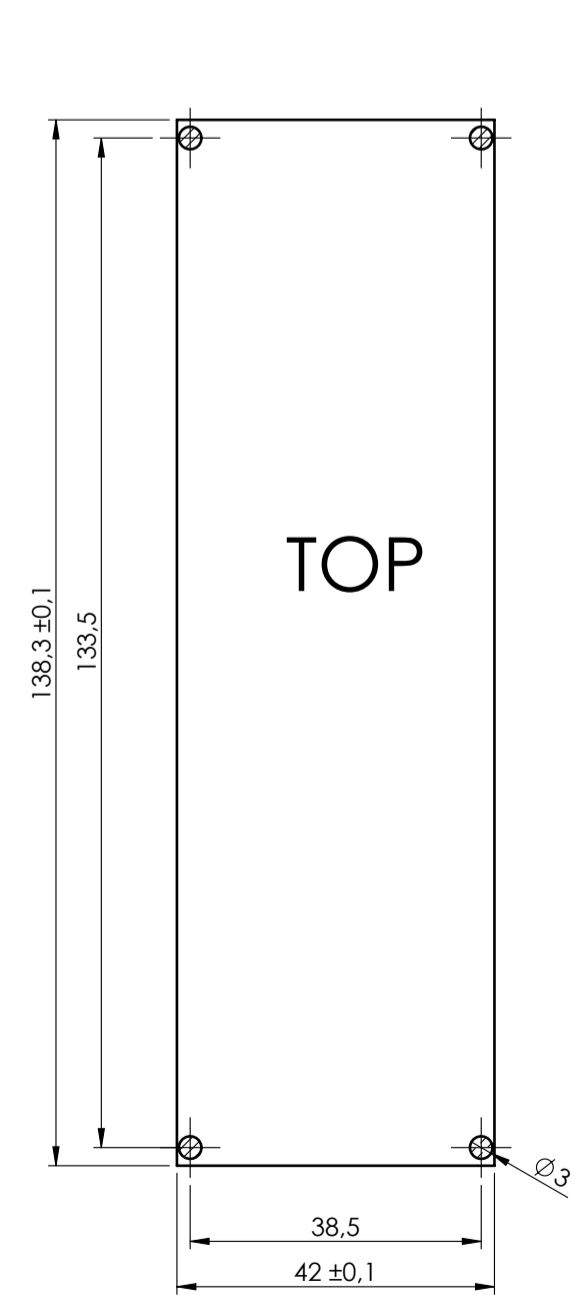


PCB B

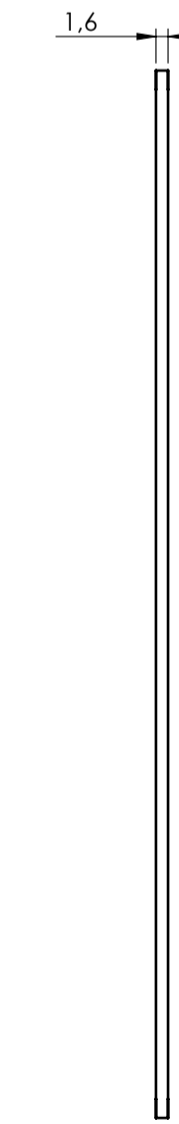
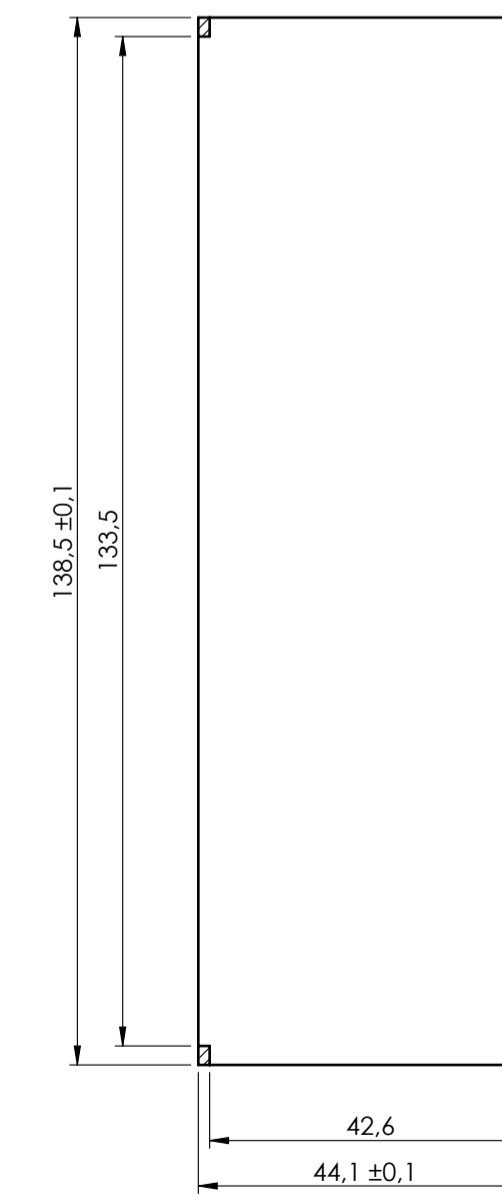


\*To use the PLUG-IN terminals in Modulbox ONE use plug-in adapter P05000003E (5/5.08 pitch) and P05000004E (7.5/7.62 pitch)

PCB C



PCB V2



General Tolerance UNE EN 22768/1 Media (m)				Sheet:	
from 0.5 to 3 ±0.1	from 3 to 6 ±0.1	from 6 to 30 ±0.2	from 30 to 120 ±0.3	from 120 to 400 ±0.5	PCB
Scale:	Drawn:	Checked:	Date:	Material:	Process:
1:1		R.N.	04/05/2023		
Dimension in mm	The owner reserves the right to modify the product without notice. The user assumes full responsibility for the use of the product in any application. It is recommended to verify the dimensions of the components used in the assembly according to the data sheet.		Derived from:	Weight:	Cod. Mold:
				gr	--
Description:			KIT CONTENITORE MODULBOX XTS BM53-A		
KIT ENCLOSURE MODULBOX XTS BM53-A			Drawing n°:		
italtronic enclosures for electronics italtronic.com			3_250_00103		
Rev:					A1
					-

NO COMPONENTS AREA