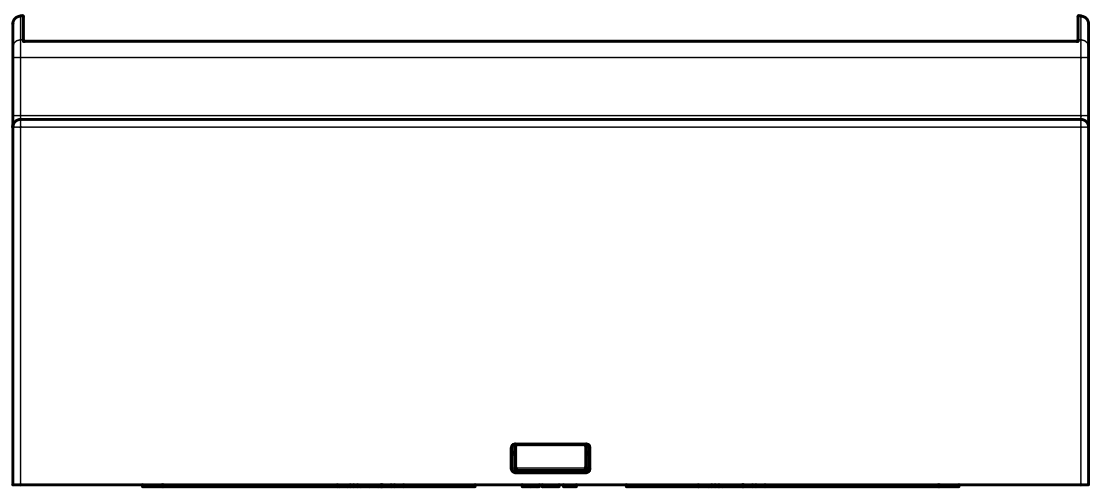


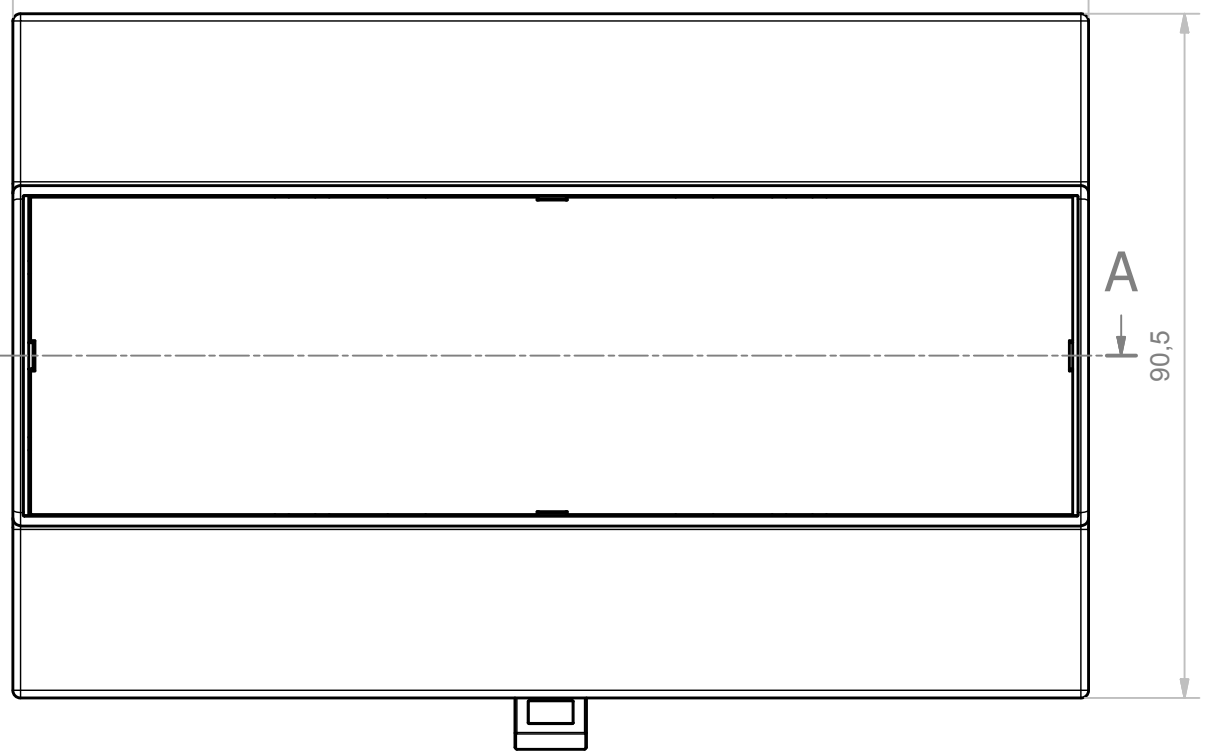
6 1 5 1 4 3 1 2 1

D



142,3

C



A

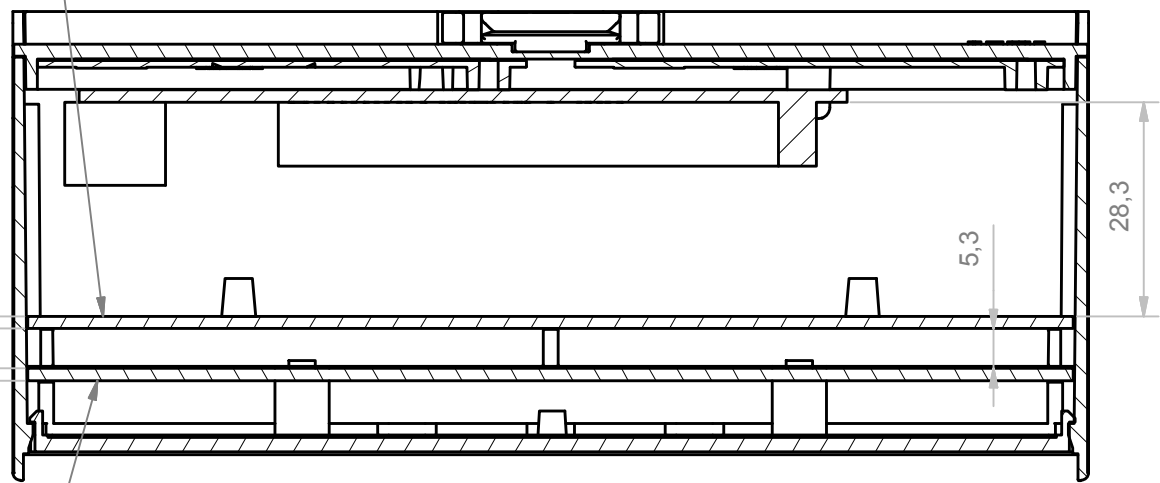
A

90,5

B

A-A (1:1)

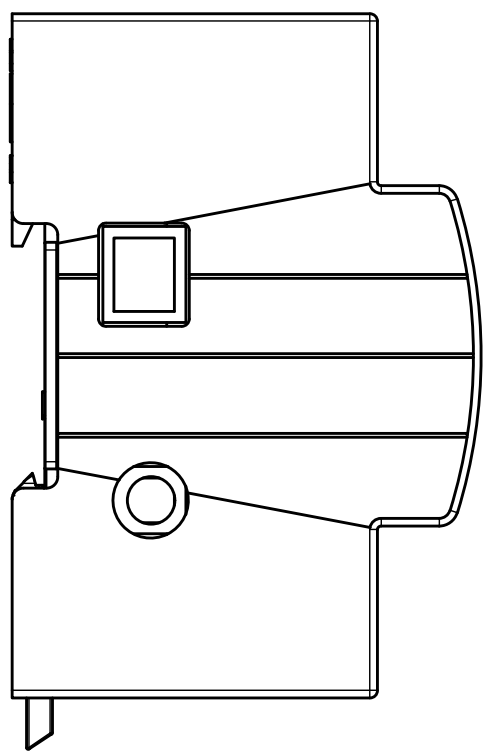
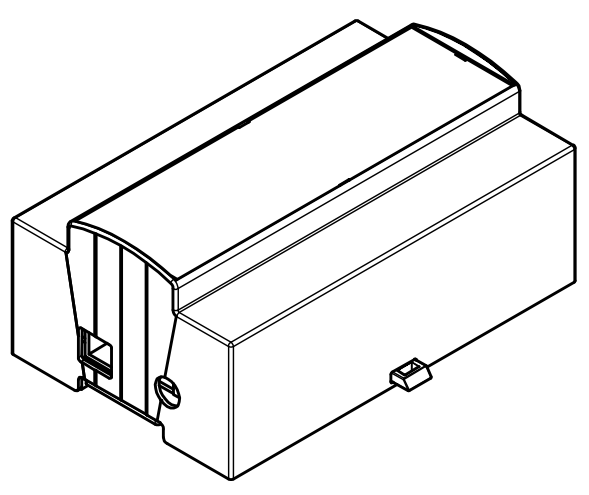
PCB-B



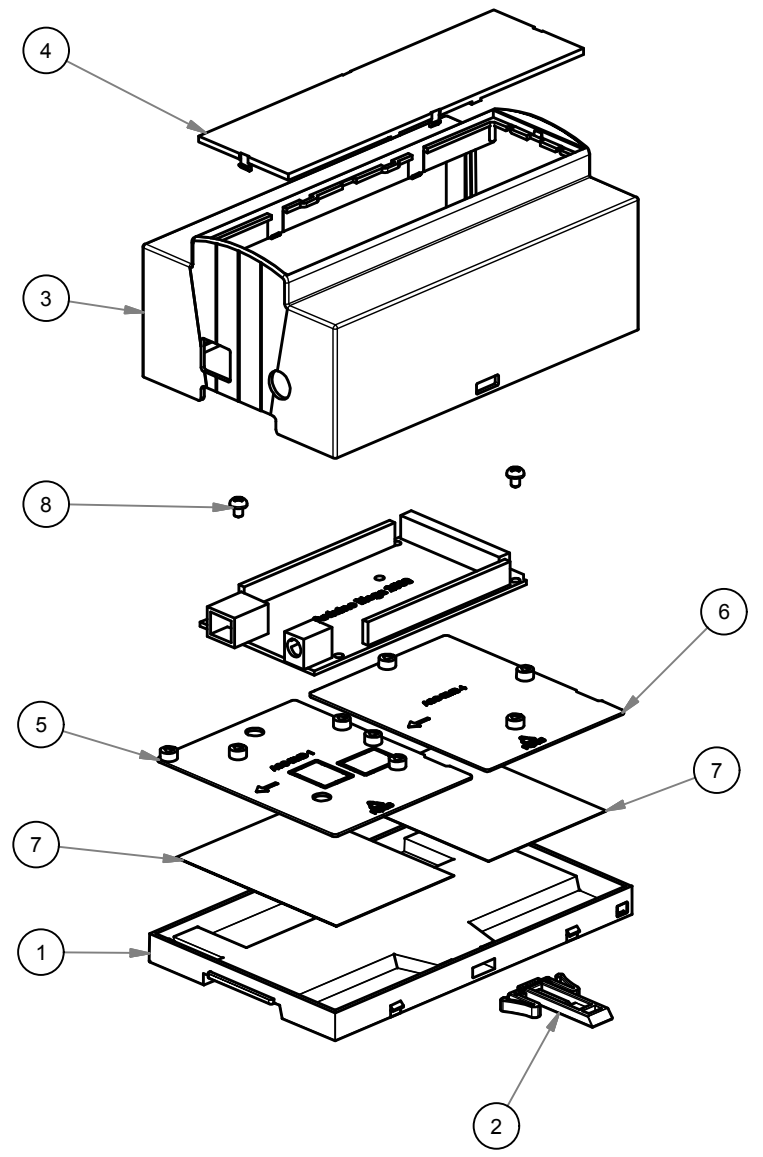
A

PCB-C

6 1 5 1 4 3 1 2 1



PCB TYPE	PCB DIMENS	TOLERANCE
B	138,3 x 86,4	+/- 0.1 mm
C	138,3 x 42,0	+/- 0.1 mm



RIF.	Q.TY	DESCRIPTION	DRAWING
1	1	BASE MODULBOX XT/XTS - 8M	1.001.01988
2	1	MODULAR HOOK LONG	1.001.01900
3	1	BODY 8M53-C XTS ARDUINO MEGA	1.001.05818
4	1	PANEL MODULBOX 8M WITHOUT FRAME	1.001.02249
5	1	ACCESSORY FOR BASE EMBEDDED EMB1	2.050.00001
6	1	ACCESSORY FOR BASE EMBEDDED EMB4	2.050.00004
7	2	ADHESIVE FOR ACCESSORY BASE EMBEDDED	2.050.00005
8	2	SCREW 2.9 X 4.5 TC	8.100.00013

General Tolerance UNI EN 22768/1 Media (m)				
from 0.5 to 3	from 3 to 6	from 6 to 30	from 30 to 120	from 120 to 400
± 0.1	± 0.1	± 0.2	± 0.3	± 0.5
Scale: 1 : 1	Sheet nr.: 1 / 1	Drawn: N.R.	Checked: F.F.	Date: 12/04/2018
Dimension in mm		Material:	Weight:	Volume:
 www.italtronic.com techcare@italtronic.com		Description: KIT 8M53-C XTS ARDUINO MEGA CON ACCESSORIO BASE EMBEDDED KIT 8M53-C XTS ARDUINO MEGA WITH ACCESSORY BASE EMBEDDED		Rev. 00
Drawing nr. 1.001.07821				Revision description: 5 4 3 2 1

RESERVED PROPERTY: The present drawing cannot be reproduced or communicated to 3rd parties, even partially, without the authorization of ITALTRONIC Srl. Italtronic reserves to protect its own rights according to the law.