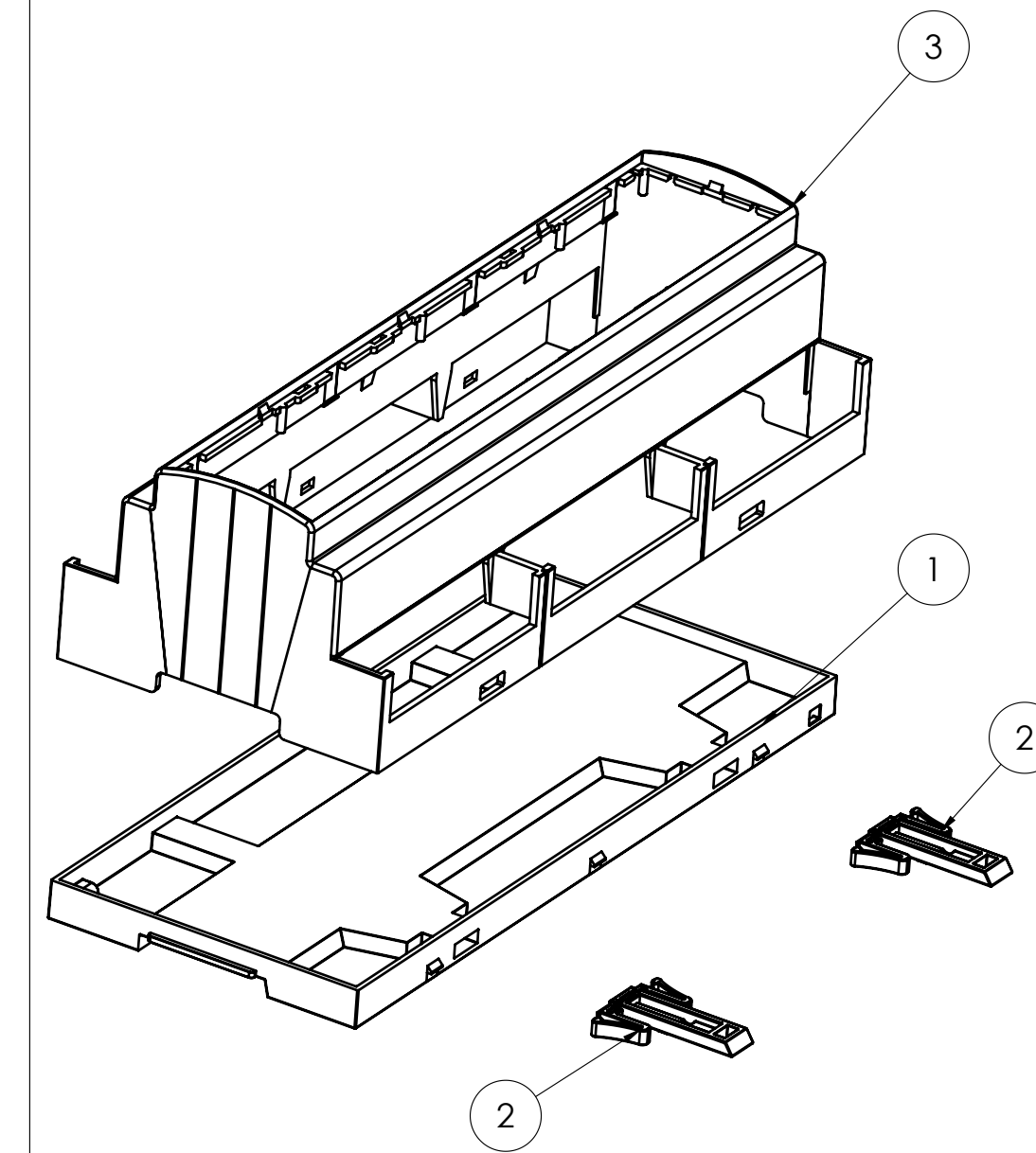
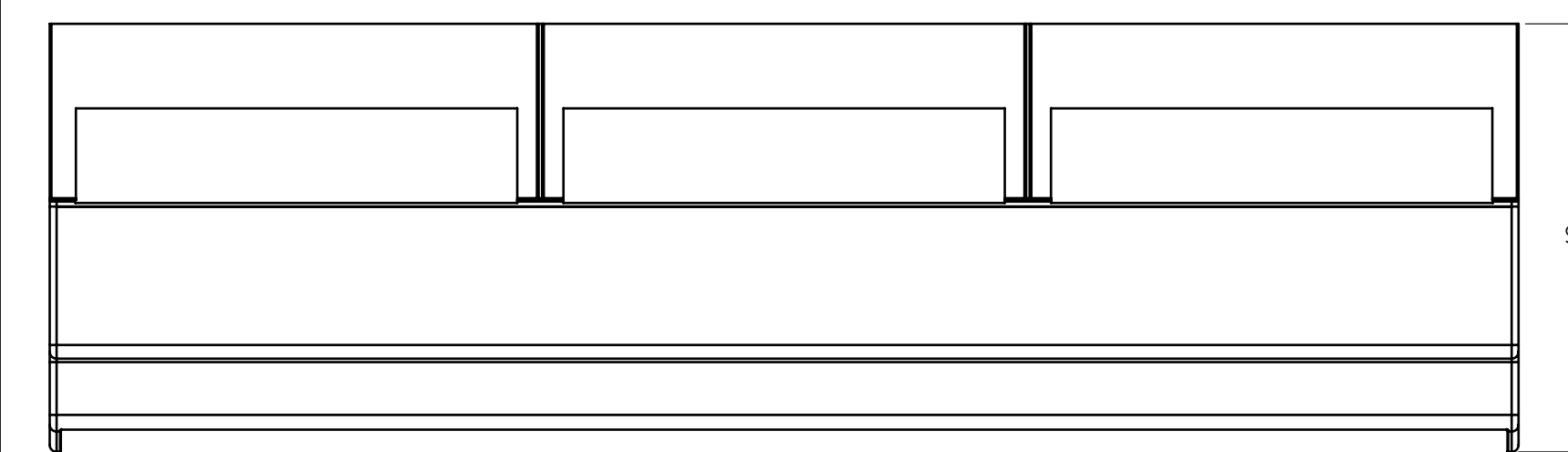
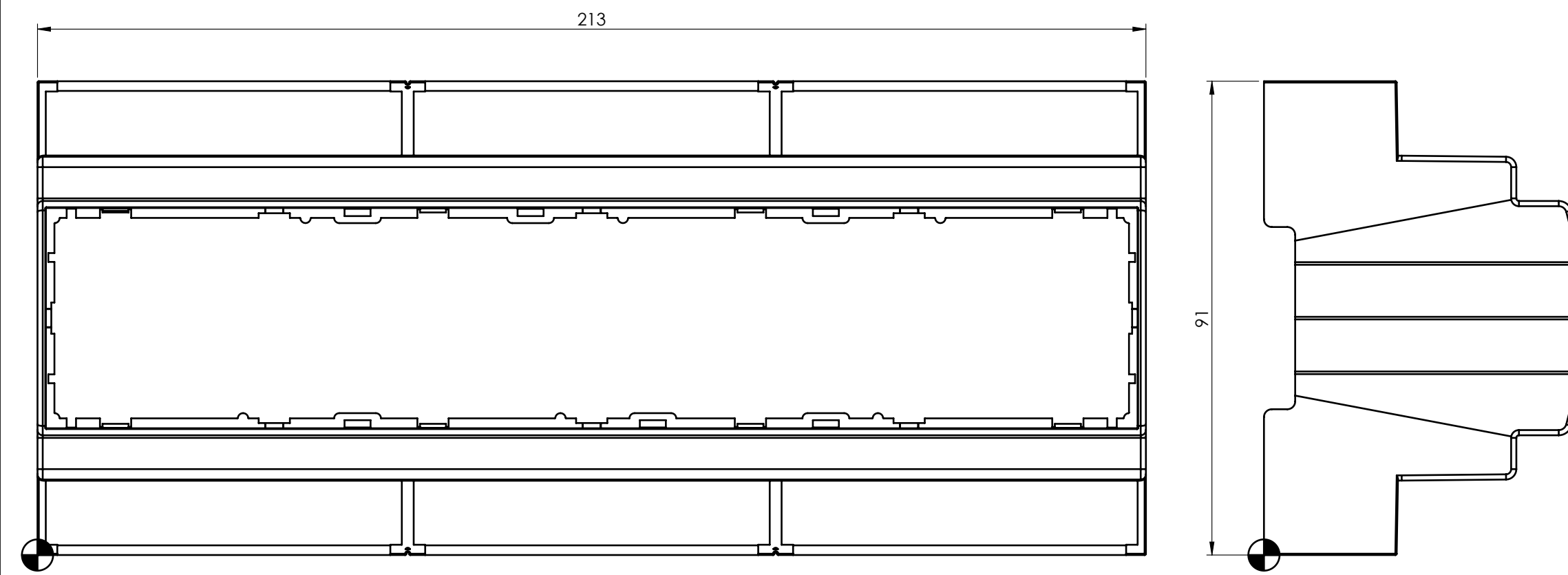
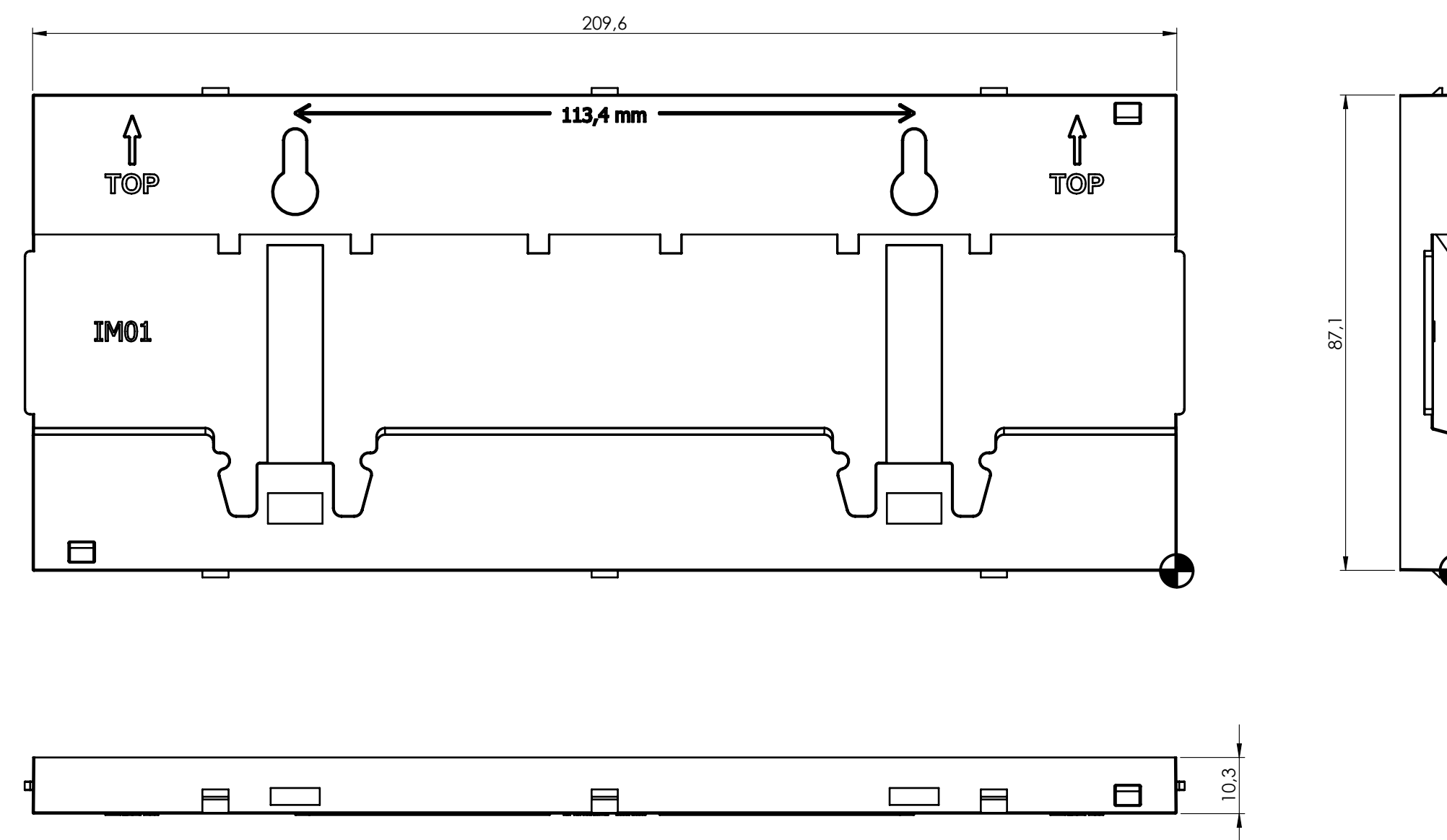
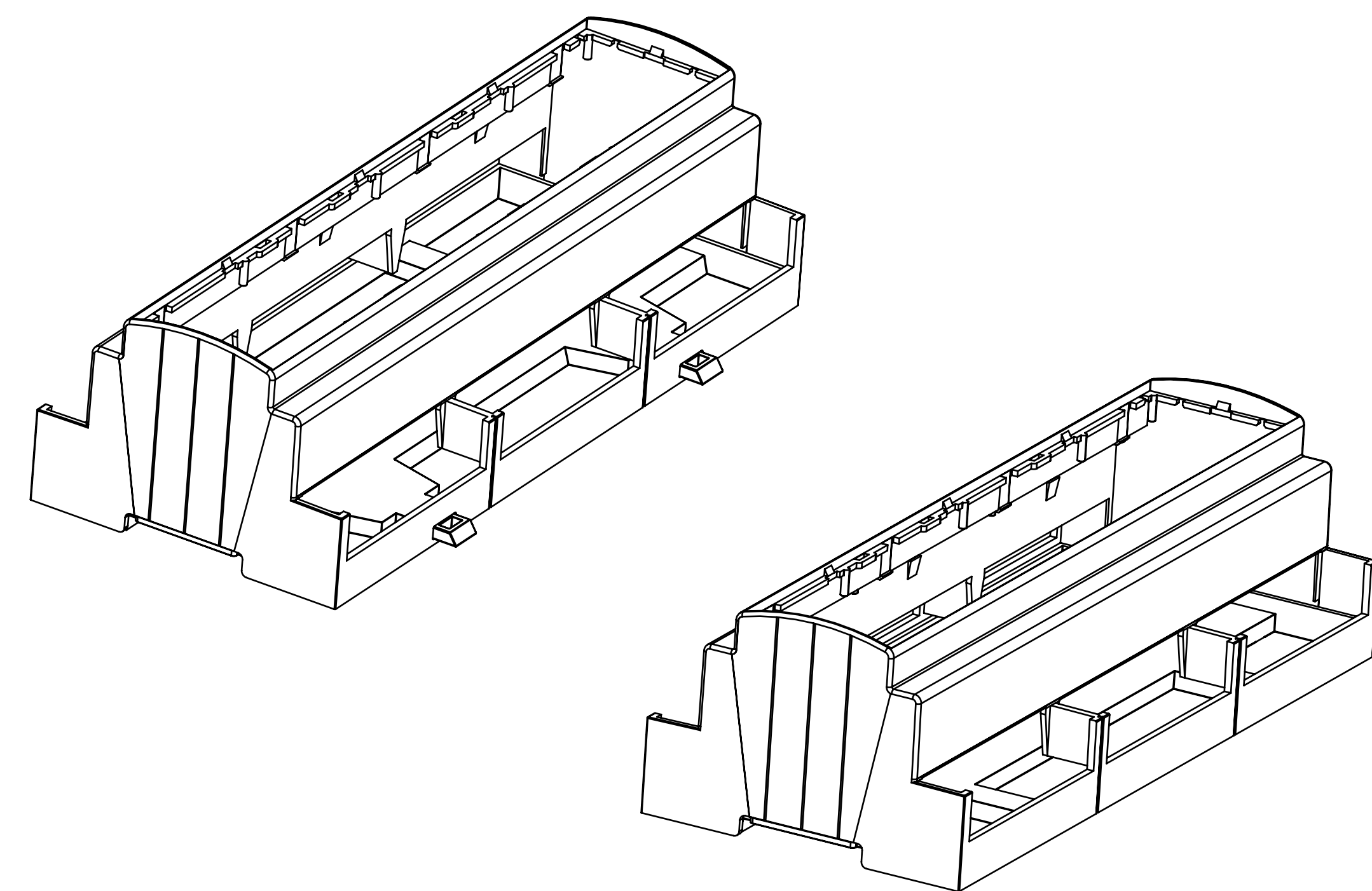


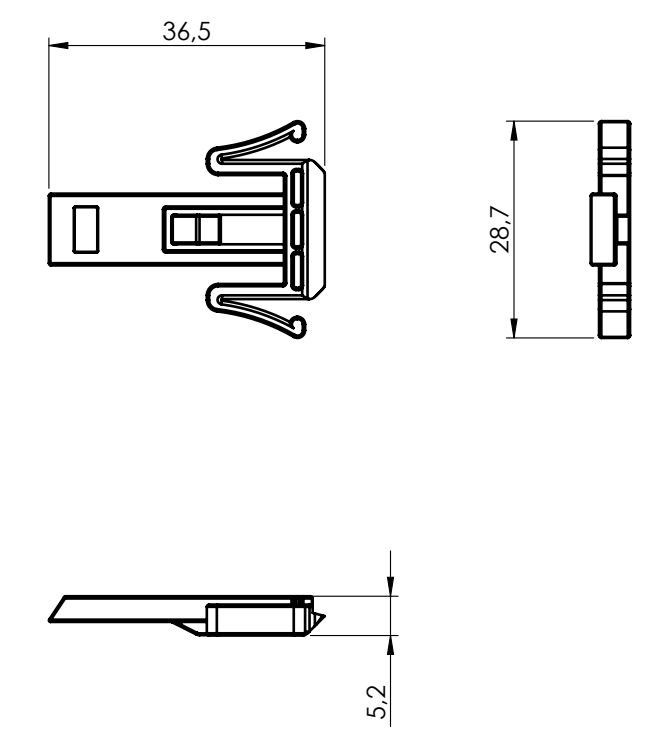
BODY ENCLOSURE



BASE



HOOK



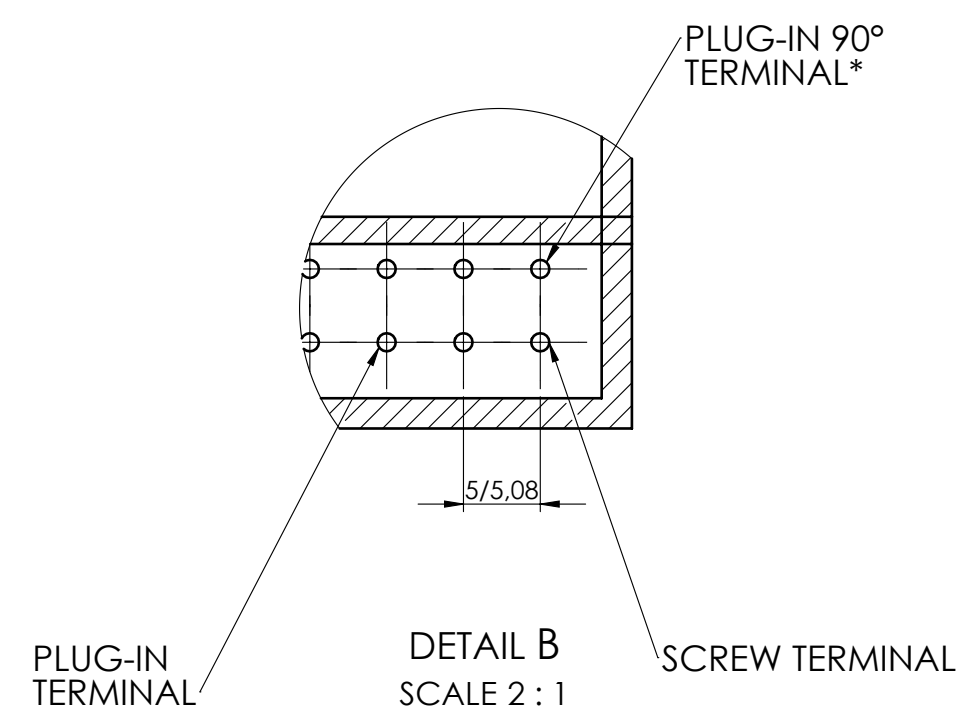
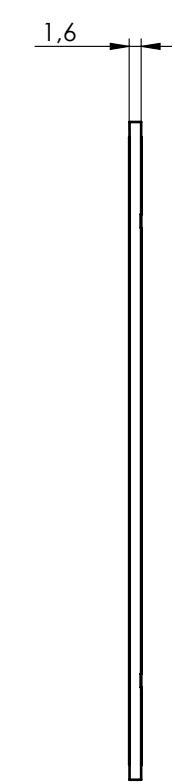
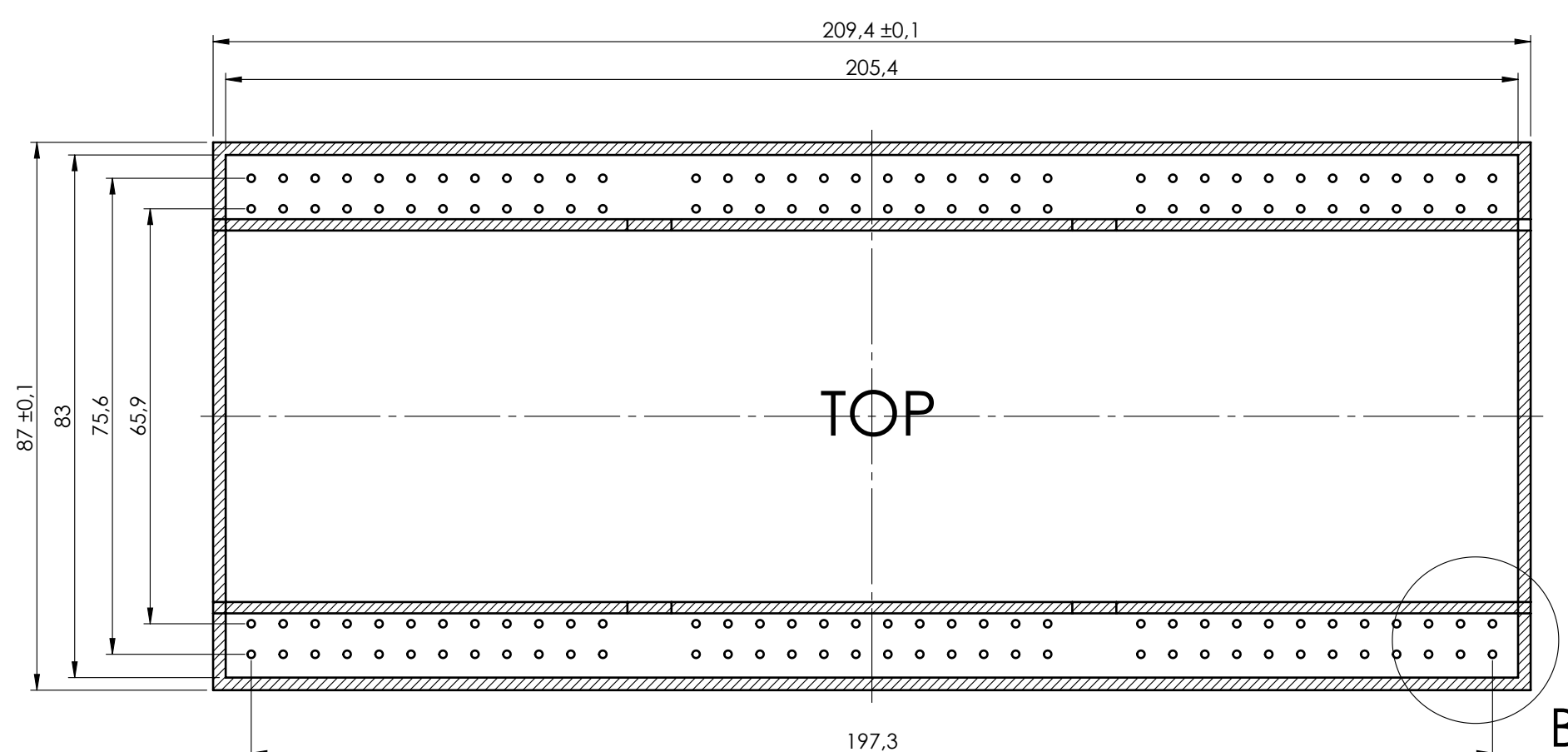
General information:
 - Workpiece zero point for mechanical processing
 - Minimum recommended radius for machining = R1.0 mm
 - Mounting rail like EN 60715: TH 35-7.5 or TH 35-15
 - Recommended PCB outline on www.italtronic.com

RIF.	Q.TY	DRAWING	DESCRIPTION
1	1	2_250_03627	BASE MODULBOX XT-XTS 12M
2	2	2_250_00072	HOOK FOR MODULBOX XT-XTS
3	1	2_250_03692	BODY MODULBOX XTS 12MH53-A

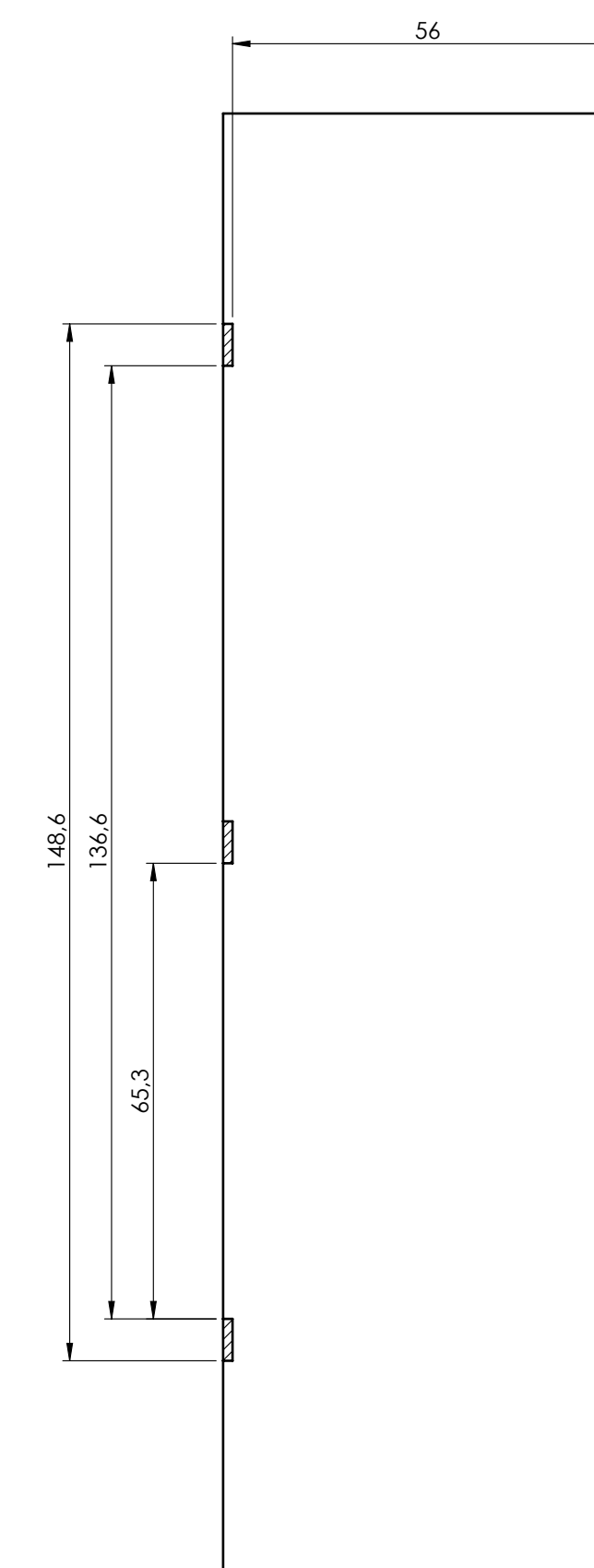
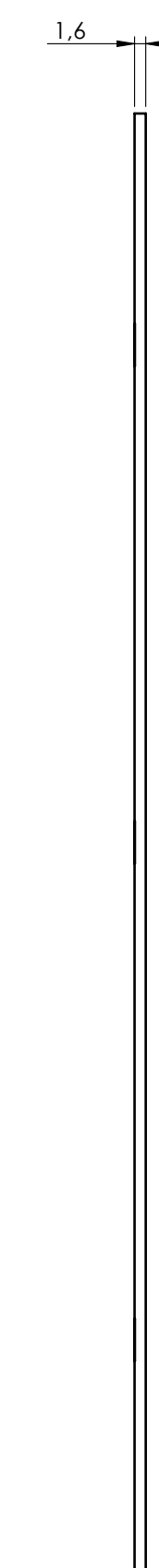
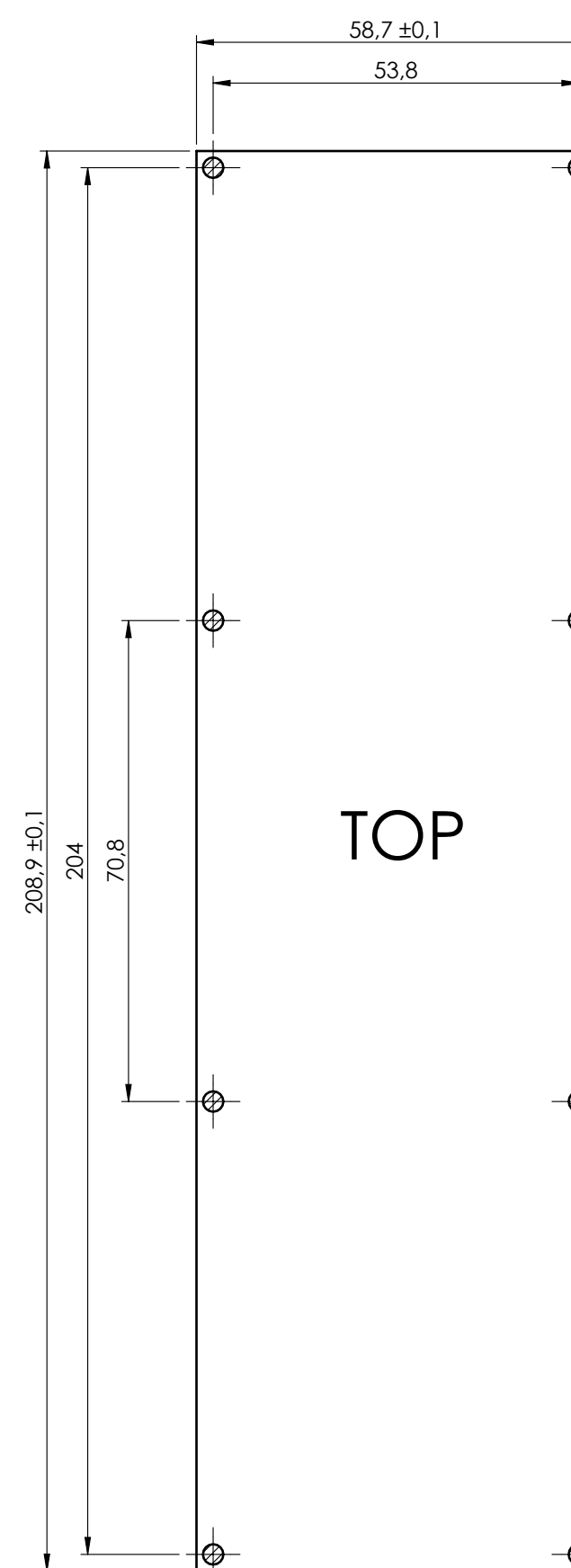
Dimension in mm	from 0.5 to 3	from 3 to 6	from 6 to 30	from 30 to 120	from 120 to 400	Sheet
General Tolerances (UNE EN 22768/1) (Media [mm])	±0.1	±0.1	±0.2	±0.3	±0.5	1
Scale:	1:1	IM:	---	R.N.	18/05/2023	Material:
Dimension in mm	M-04144-01		Replaces the:	Derived from:	Weight:	Cod. Mod:
Description:		KIT CONTENITORE MODULBOX XTS 12MH53-A		KIT ENCLOSURE MODULBOX XTS 12MH53-A		Rev:
Drawing ref:		3_250_00119		00		A1

PCB A

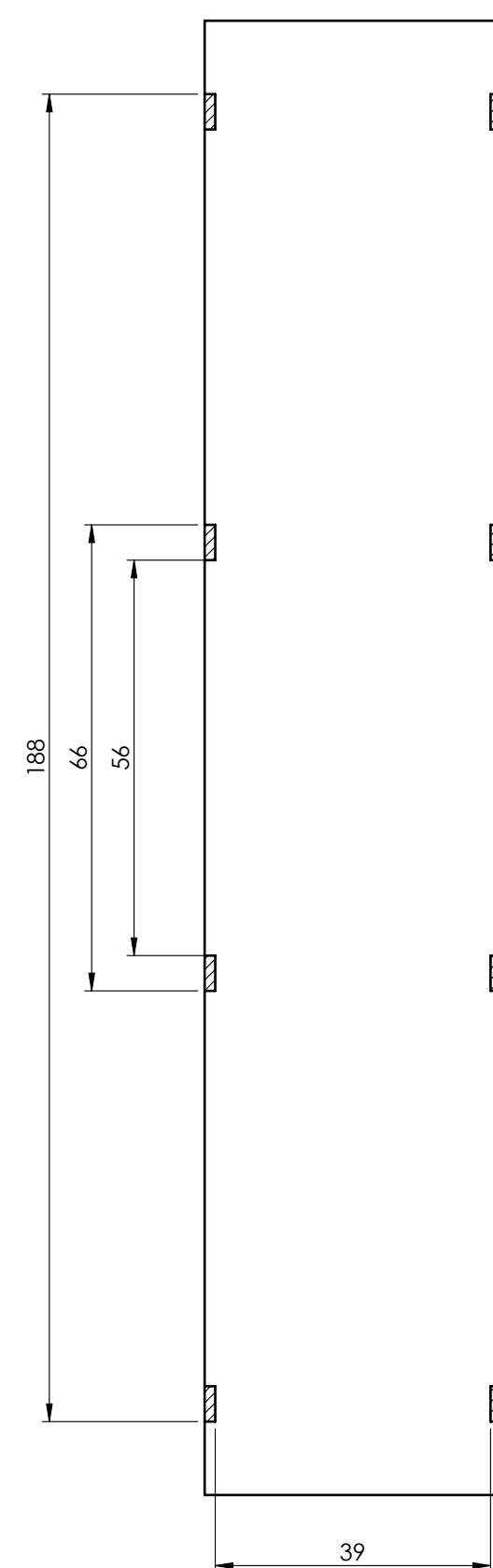
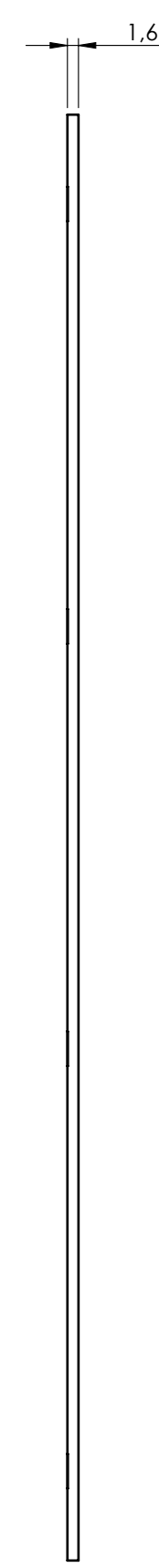
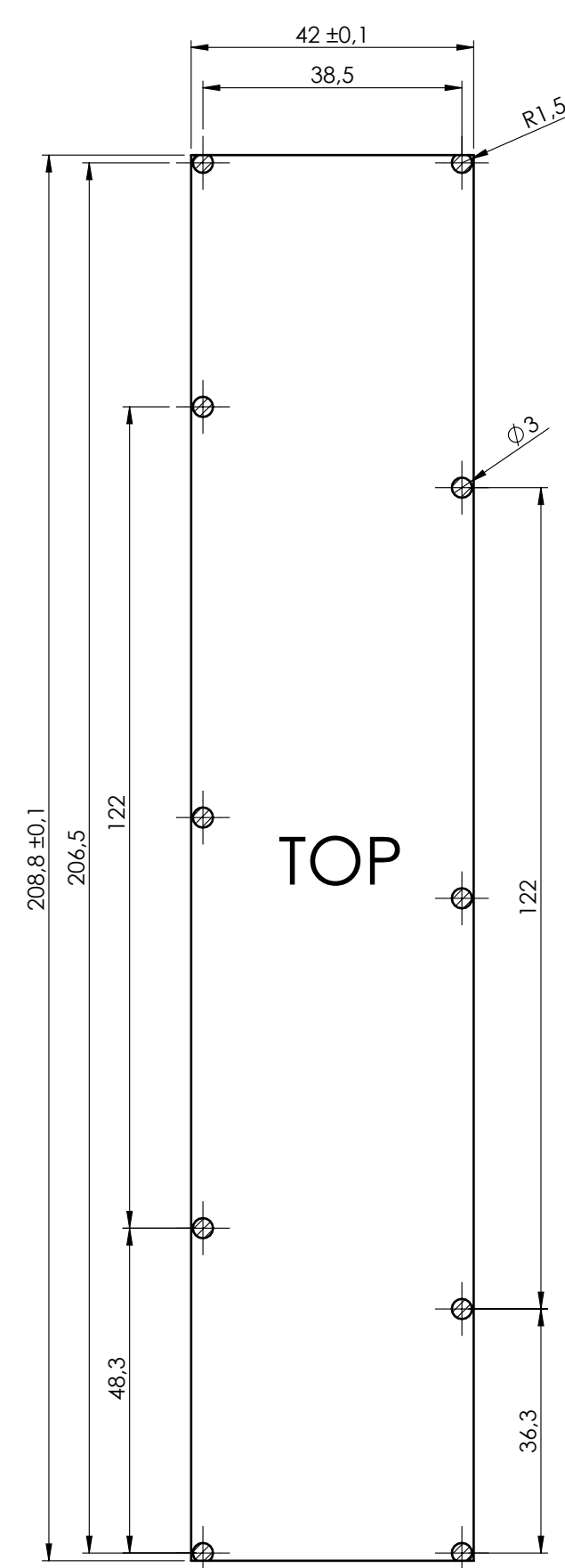
Max height of the terminal:
Modulbox XT/XTS: 18.5 mm



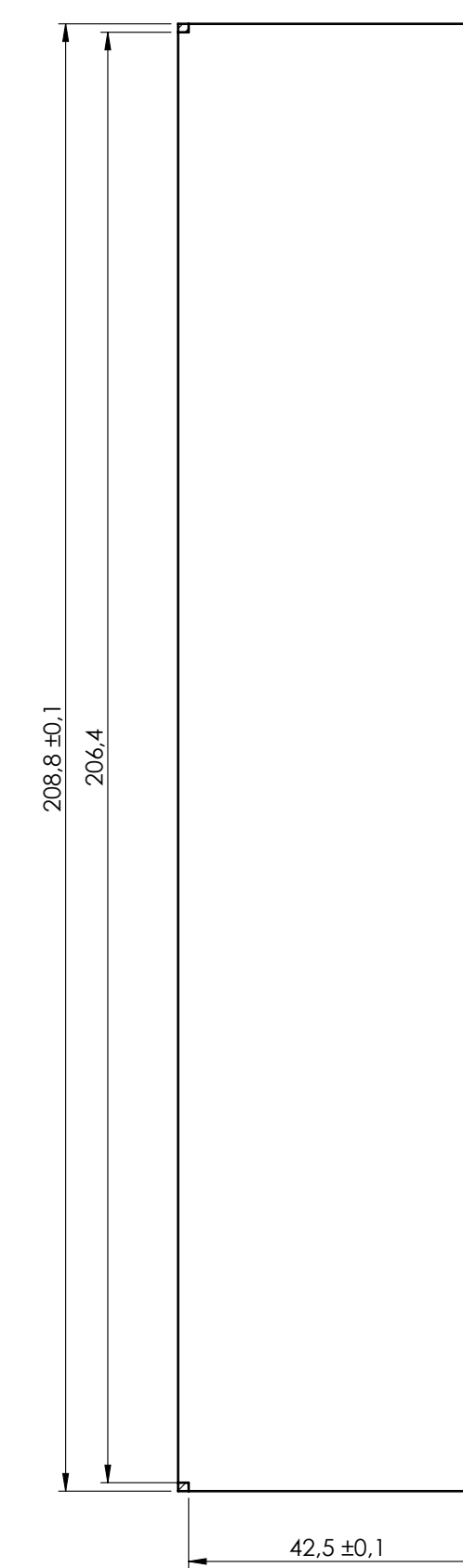
PCB B



PCB C



PCB V2



General Tolerance UNE EN 22768 / I Medio (m)				Sheet:	
from 0.5 to 3	from 3 to 6	from 6 to 30	from 30 to 120	from 120 to 400	PCB
± 0.1	± 0.1	± 0.2	± 0.3	± 0.5	Process:
Scale:	1:1	1:1	1:1	1:1	1:1
Drawn:	---	---	---	---	---
Checked:	R.N.	---	---	---	---
Date:	18/05/2023	---	---	---	---
Material:	---	---	---	---	---
Replaces the:	M-04144-01	---	---	---	---
Derived from:	---	---	---	---	---
Weight:	---	---	---	---	---
Cod. Mold:	---	---	---	---	---
Description:					
KIT CONTENITORE MODULBOX XTS 12MH3-A					
KIT ENCLOSURE MODULBOX XTS 12MH3-A					
Drawing ref: 3_250_00119					
Rev: 00					A1

NO COMPONENTS AREA



enclosures for electronics
italtronic.com