

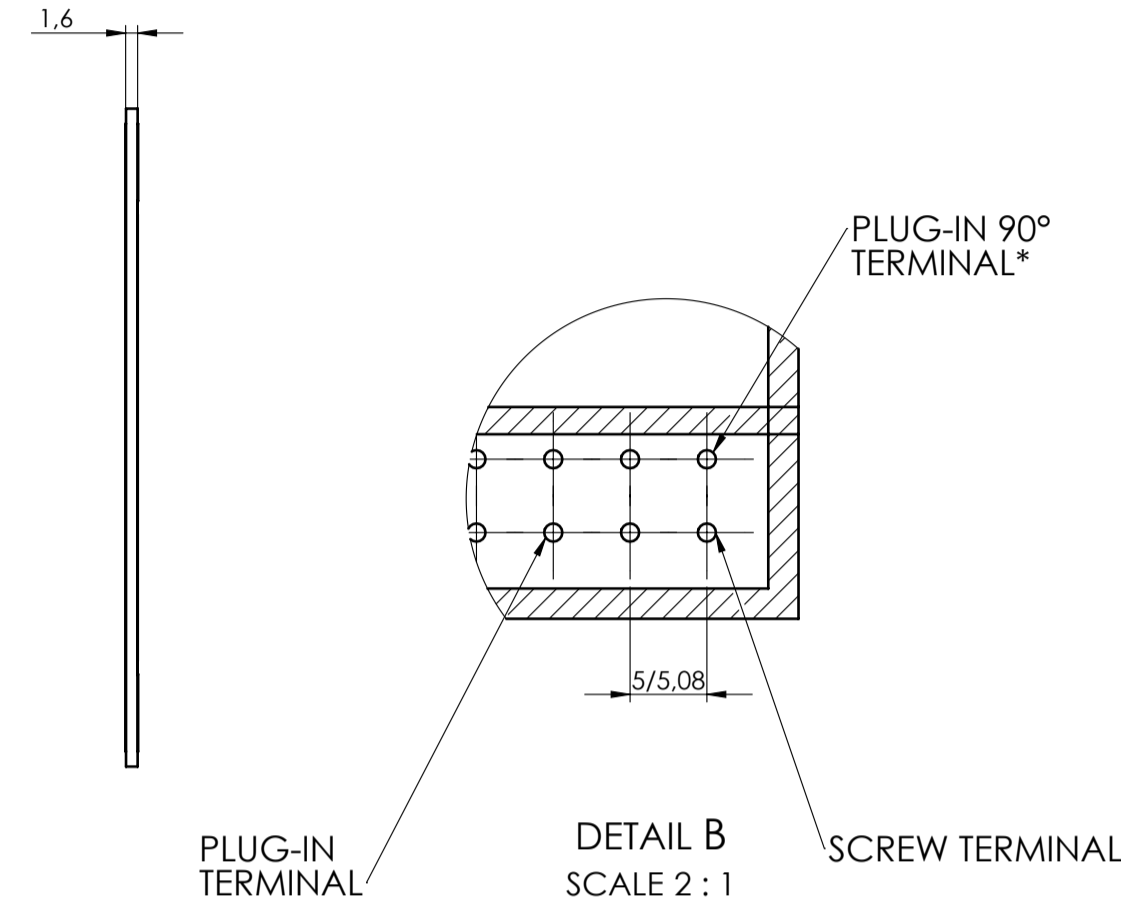
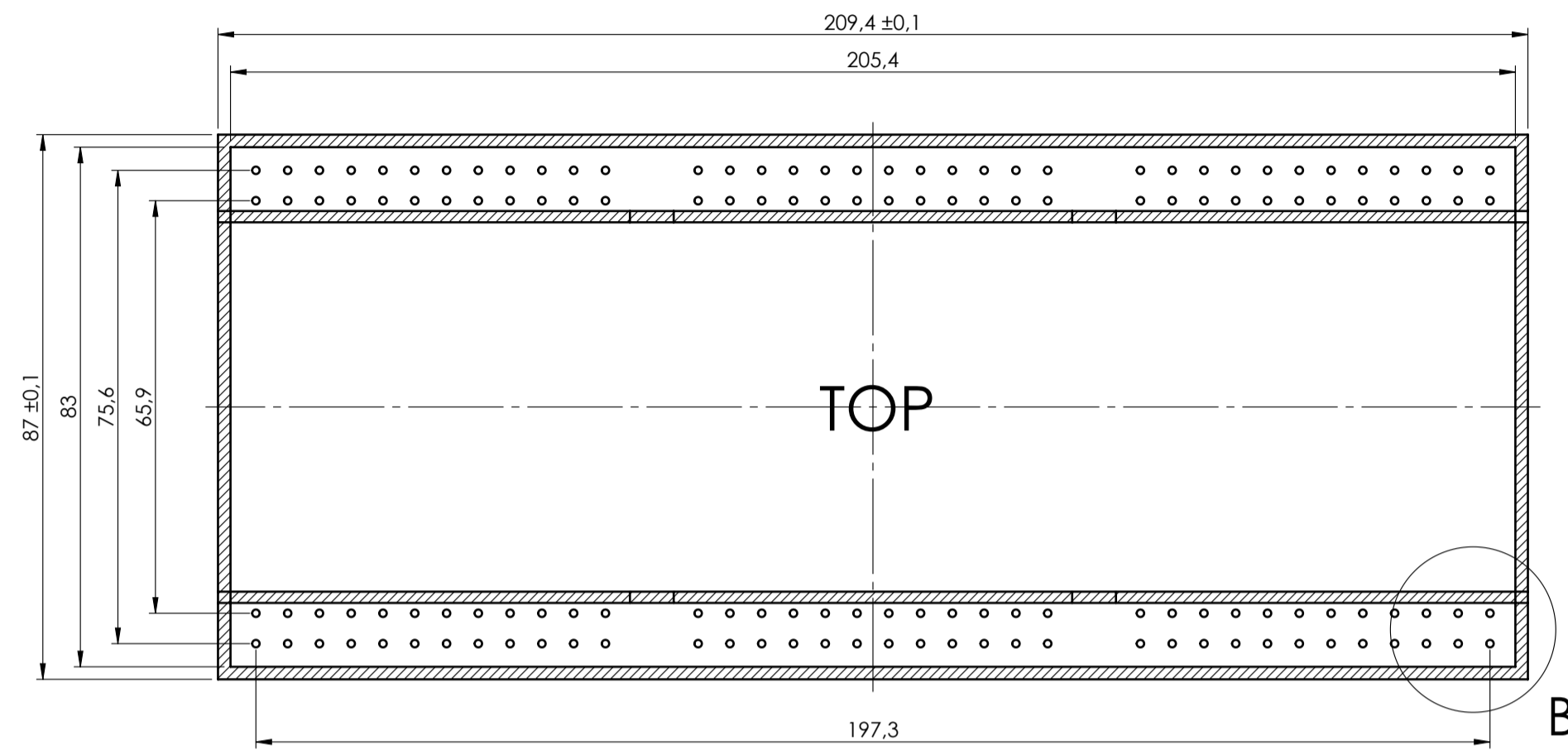
General information:
 - Workpiece zero point for mechanical processing
 - Minimum recommended radius for machining = R1.0 mm
 - Mounting rail like EN 40715; TH 35-7.5 or TH 35-15
 - Recommended PCB outline on www.italtronic.com

RIF.	Q.TY	DRAWING	DESCRIPTION
1	1	2_250_03627	BASE MODULBOX XT-XTS 12M
2	2	2_250_00072	HOOK FOR MODULBOX XT-XTS
3	1	2_250_03693	BODY MODULBOX XTS 12M53-C

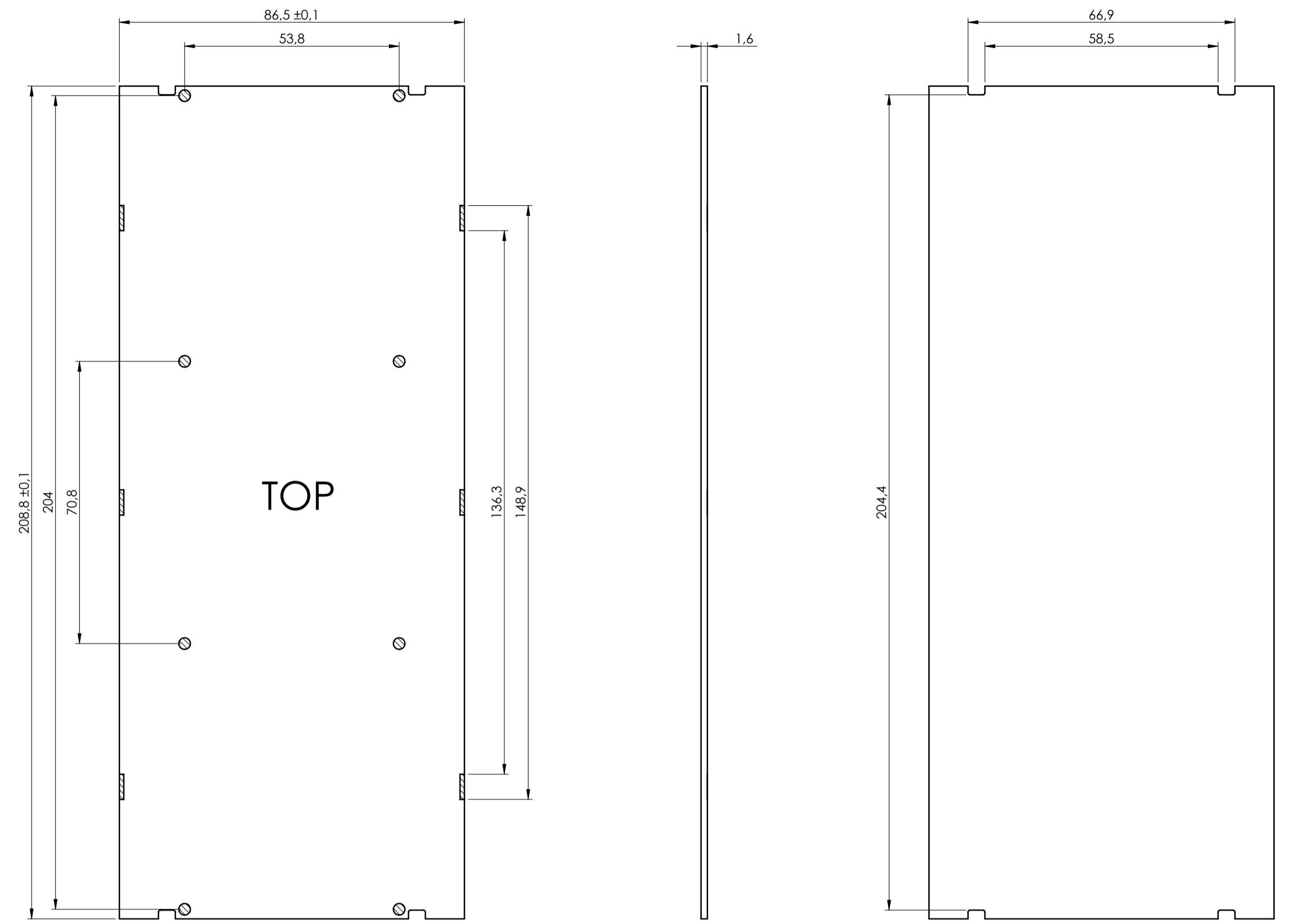
Dimension in mm	from 0.5 to 3	from 3 to 6	from 6 to 30	from 30 to 120	from 120 to 400	Sheet
General Tolerances (UNE EN 22768/1 Medio PM)	±0.1	±0.1	±0.2	±0.3	±0.5	1
Scale:	1:1		Drawn:	Checked:	Date:	Process:
Dimension in mm	1:1		R.N.	19/05/2023		
Derived from:	Description:		Weight:	Cod. Mold:		
italtronic	KIT CONTENITORE MODULBOX XTS 12M53-C		gr	--		
enclosures for electronics	KIT ENCLOSURE MODULBOX XTS 12M53-C					
italtronic.com	3.250_00121				Rev: 00 A1	

PCB A

Max height of the terminal:
Modulbox XT/XTS: 18.5 mm
Modulbox ONE: 20 mm

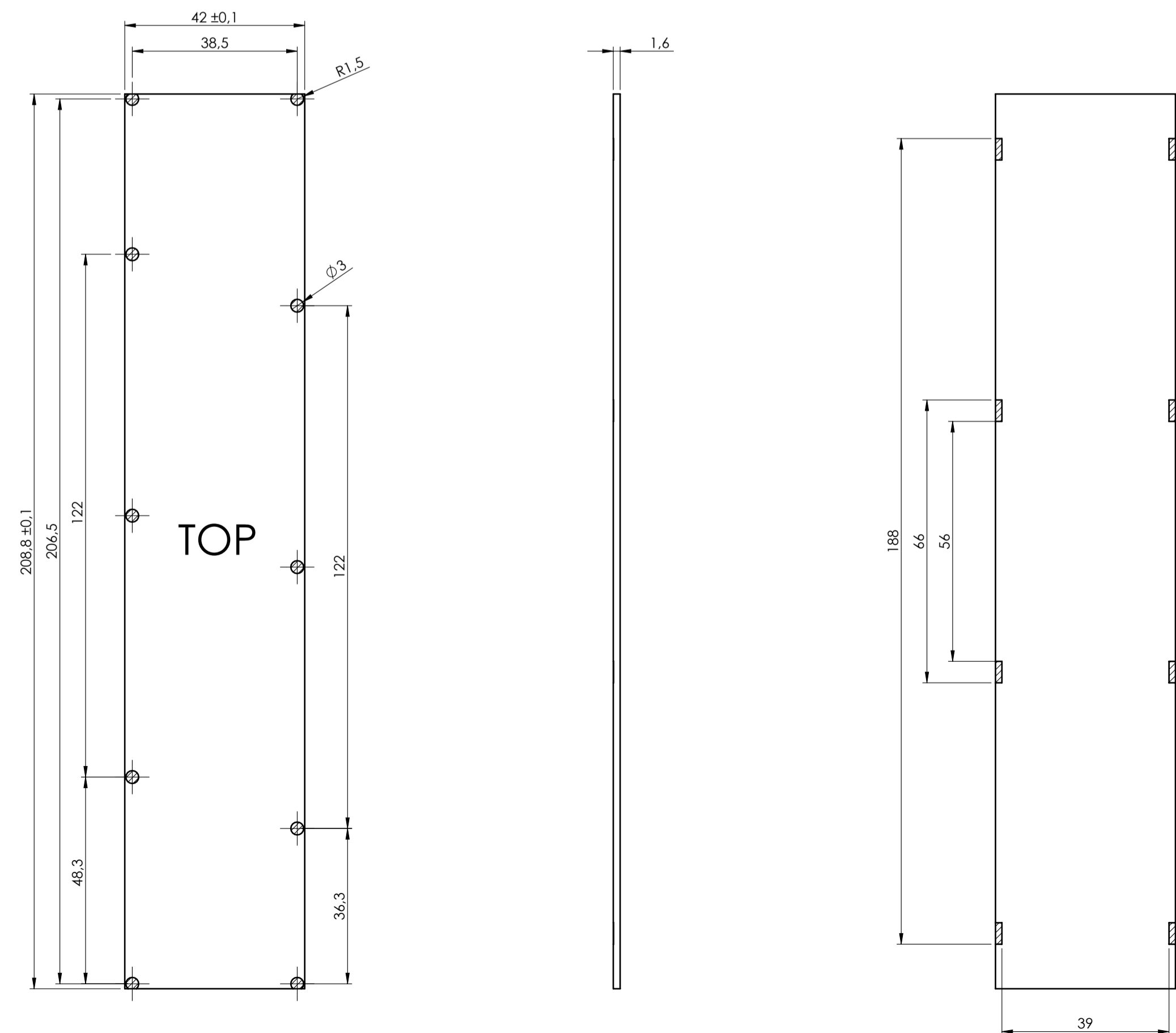


PCB B

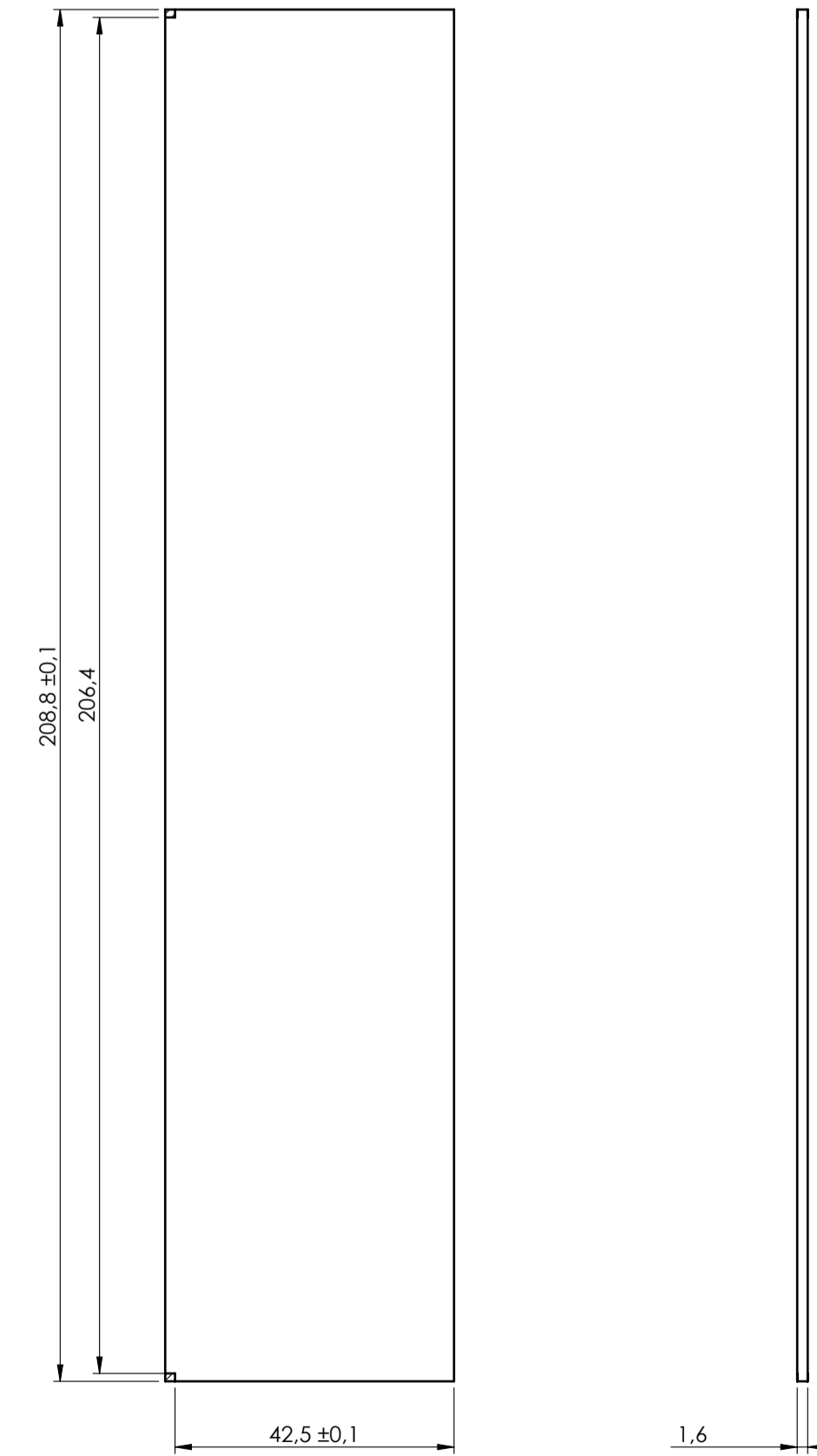


*To use the PLUG-IN terminals in Modulbox ONE use plug-in adapter P05000003E (5/5.08 pitch) and P05000004E (7.5/7.62 pitch)

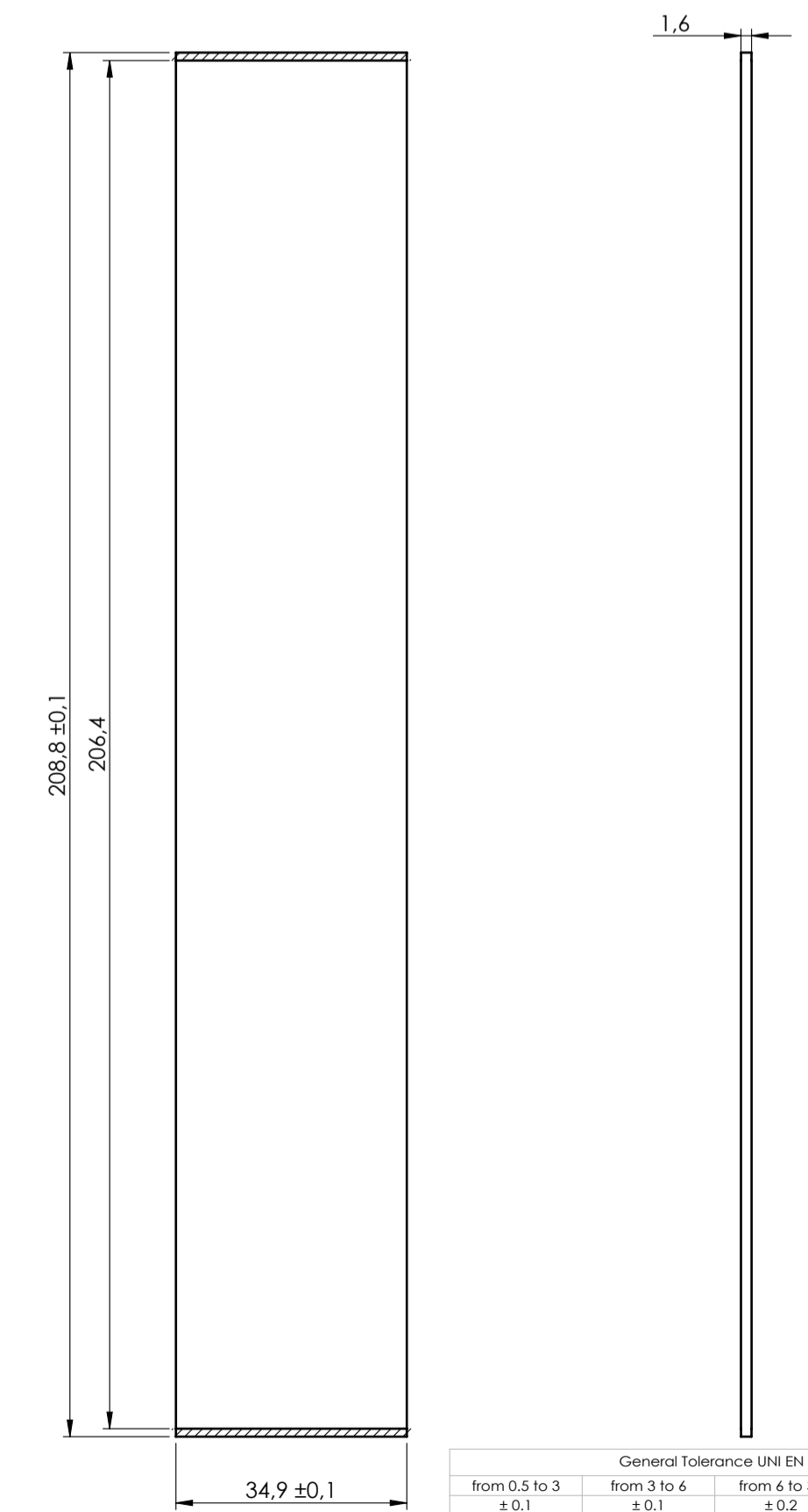
PCB C



PCB V2



PCB V1



NO COMPONENTS AREA

General Tolerance 198 EN 22768 / I Medio (m)				Sheet:	
from 0.5 to 3 ± 0.1	from 3 to 6 ± 0.1	from 6 to 30 ± 0.2	from 30 to 120 ± 0.3	from 120 to 400 ± 0.5	PCB
Scale:	1:1	1:1	1:1	1:1	1:1
Drawn by:	---	---	---	---	---
Checked by:	R.N.	---	---	---	---
Date:	19/05/2023	---	---	---	---
Replaces the:	M-04141-01	---	---	---	---
Derived from:	---	---	---	---	---
Weight:	---	---	---	---	---
Cod. Mold:	---	---	---	---	---
Description:					Rev.:
KIT CONTENITORE MODULBOX XTS 12MS3-C					00
KIT ENCLUSURE MODULBOX XTS 12MS3-C					A1
Drawing by:					
italtronic					
enclosures for electronics					
italtronic.com					
3_250_00121					