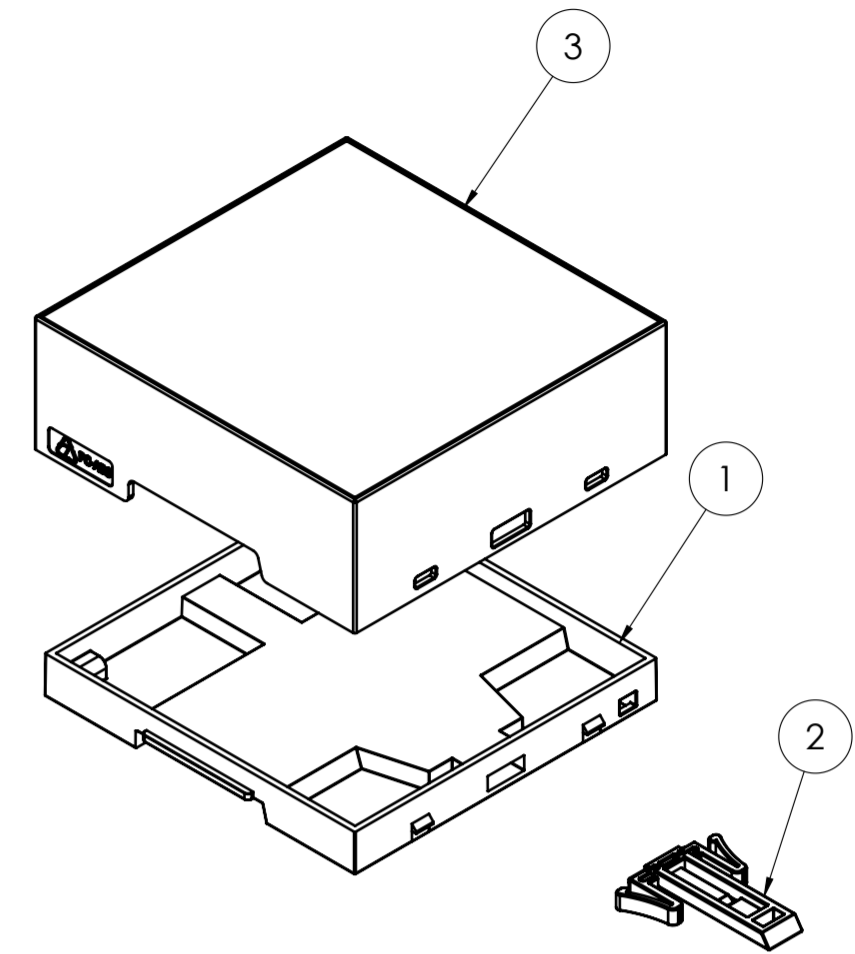
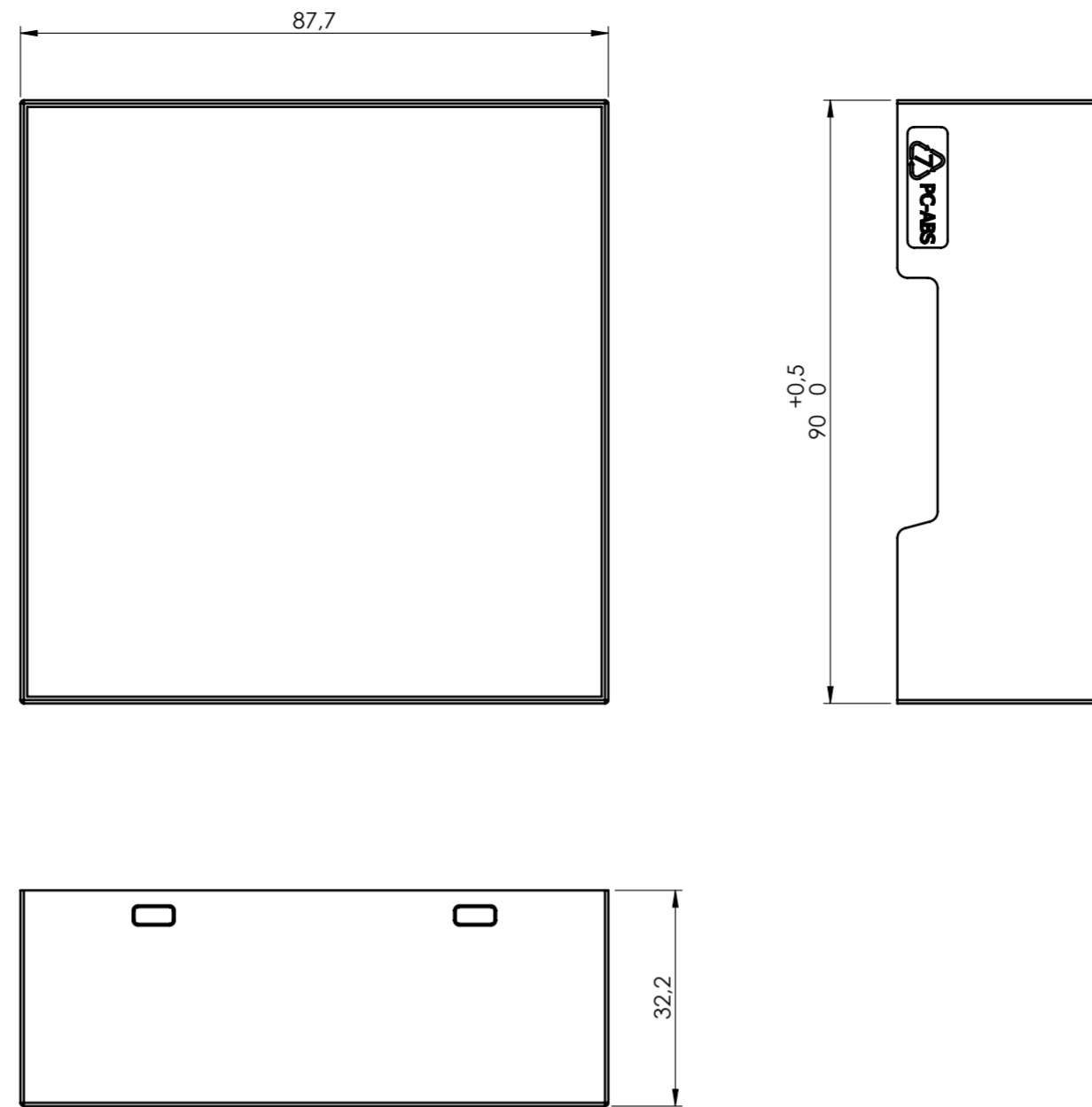
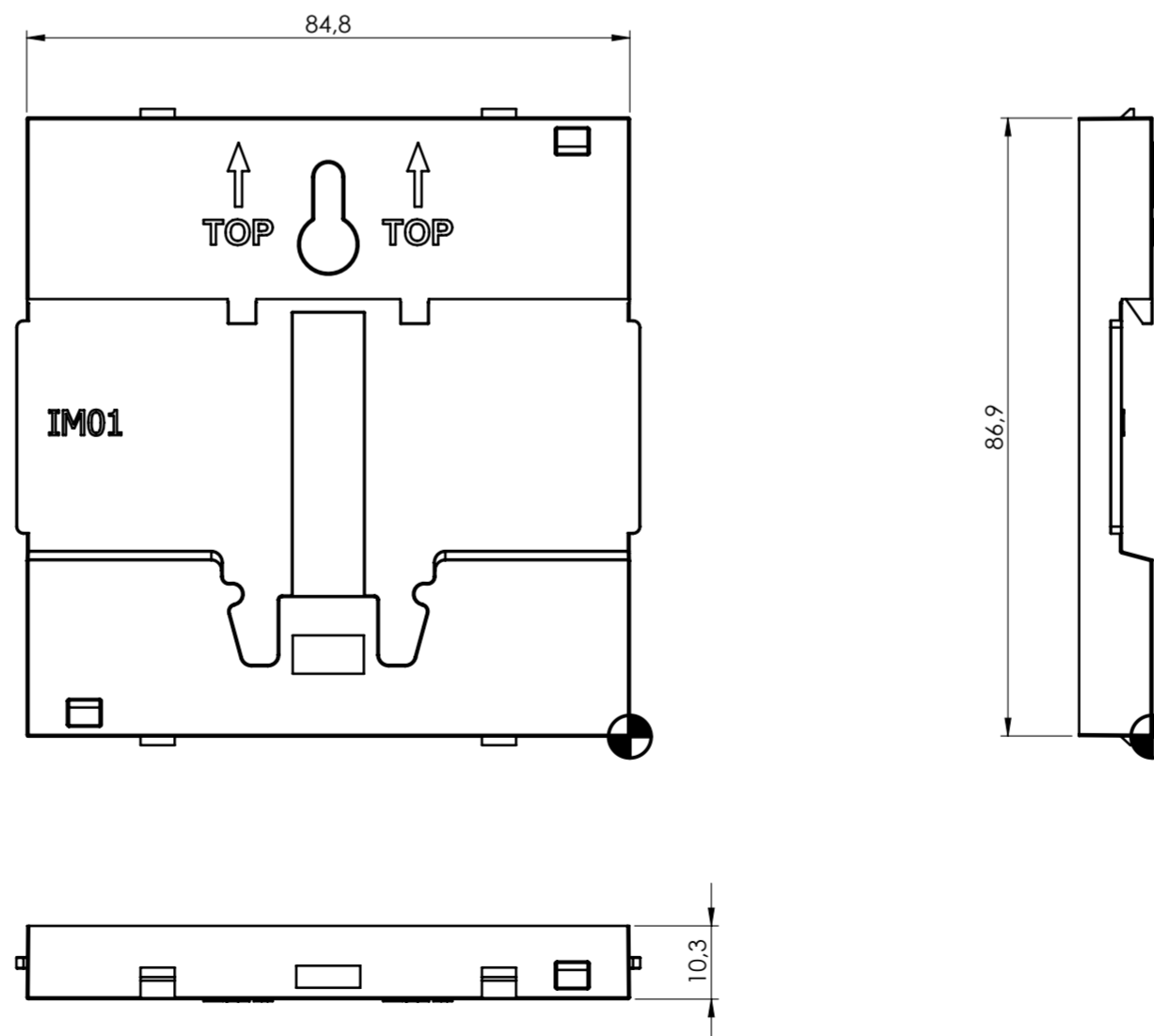


BODY ENCLOSURE

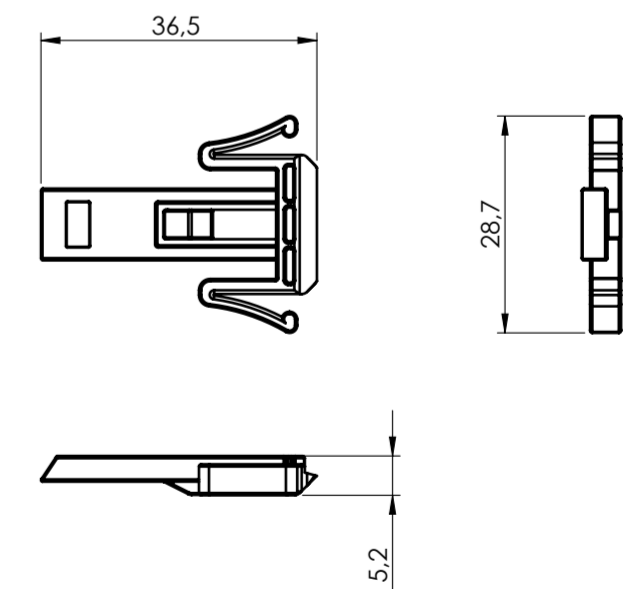


BASE




General information:
 - Workpiece zero point for mechanical processing
 - Minimum recommended radius for machining = R1.0 mm
 - Mounting rail like EN 60715: TH 35-7.5 or TH 35-15
 - Recommended PCB outline on www.italtronic.com
 - Medium tickness = 1.5 mm

HOOK

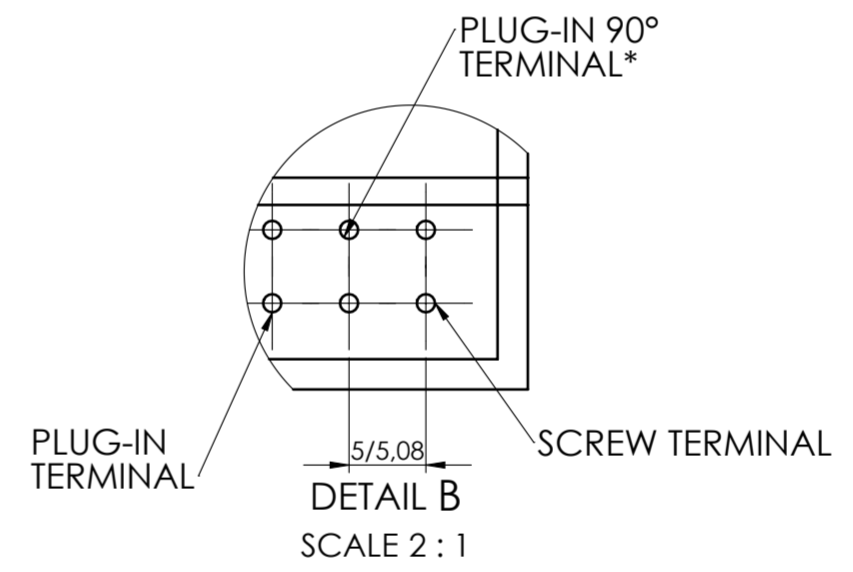
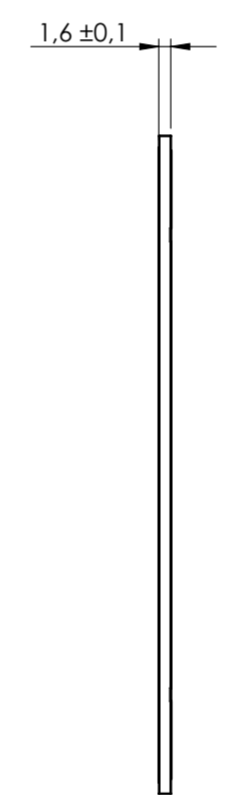
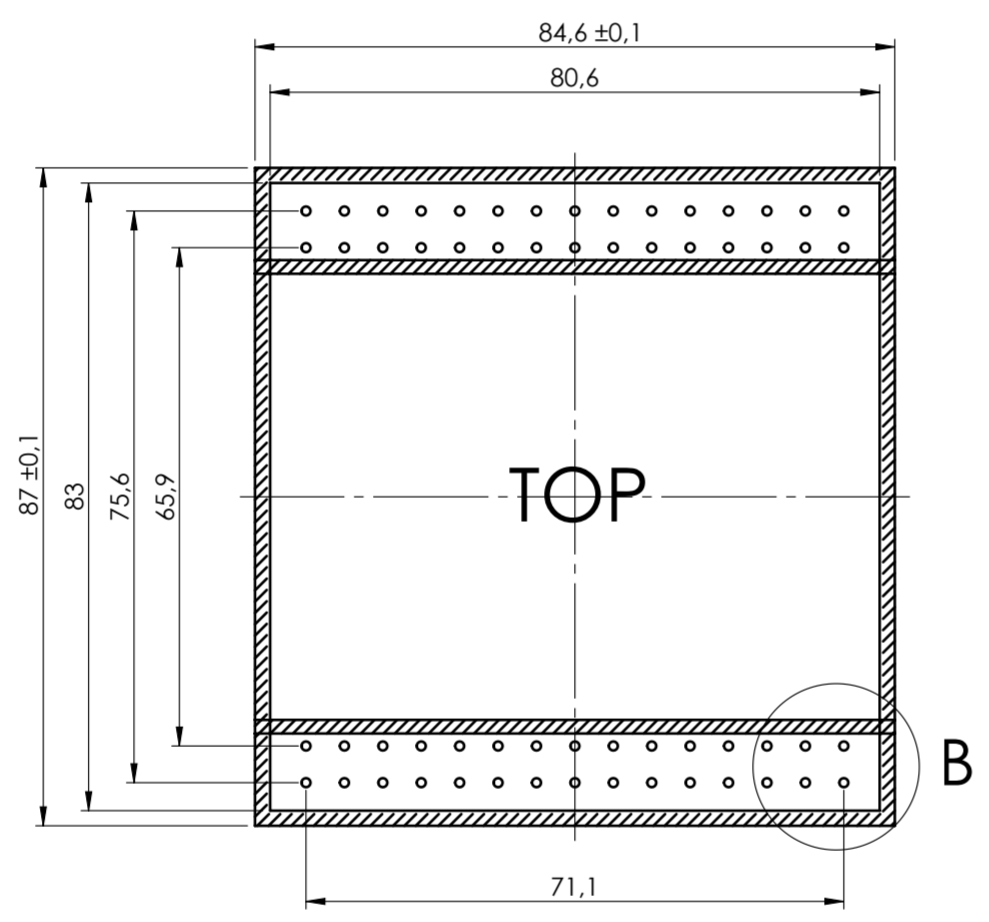


RIF.	Q.TY	DRAWING	DESCRIPTION
1	1	2_250_03678	BASE MODULBOX XT\XTS - 5M
2	1	2_250_00072	HOOK FOR MODULBOX XT\XTS
3	1	2_250_00011	BODY MODULBOX XTS 5MC33-C CLOSED COMPACT

General Tolerance UNI EN 22768/1 Media (m)					Sheet:
from 0.5 to 3	from 3 to 6	from 6 to 30	from 30 to 120	from 120 to 400	1
± 0.1	± 0.1	± 0.2	± 0.3	± 0.5	
Scale: IM:	Drawed: M.S.	Checked: R.N.	Date: 28/08/2024	Material:	Process:
1:1	--	--	--	--	--
Dimension in mm		Replaces the: M-05178-00	Derived from:	Weight: gr	Cod. Mold: --
 Description: KIT CONTENITORE MODULBOX XTS COMPACT 5MC33-C KIT ENCLOSURE MODULBOX XTS COMPACT 5MC33-C Drawing nr.: 3_250_00013					Rev.: 00
					A2

PCB A

Max height of the terminal:
Modulbox XT/XTS: 18.5 mm



NO COMPONENTS AREA

General Tolerance UNI EN 22768/1 Media (m)					Sheet:
from 0.5 to 3 ± 0.1	from 3 to 6 ± 0.1	from 6 to 30 ± 0.2	from 30 to 120 ± 0.3	from 120 to 400 ± 0.5	PCB
Scale: 1:1	IM: --	Drawn: M.S.	Checked: R.N.	Date: 28/08/2024	Material: --
Dimension in mm		Replaces the: M-05178-00		Derived from: --	Weight: gr
Description: KIT CONTENITORE MODULBOX XTS COMPACT SMC33-C KIT ENCLOSURE MODULBOX XTS COMPACT SMC33-C					Cod. Mold: --
Drawing nr.: 3_250_00013					Rev.: 00
					A2