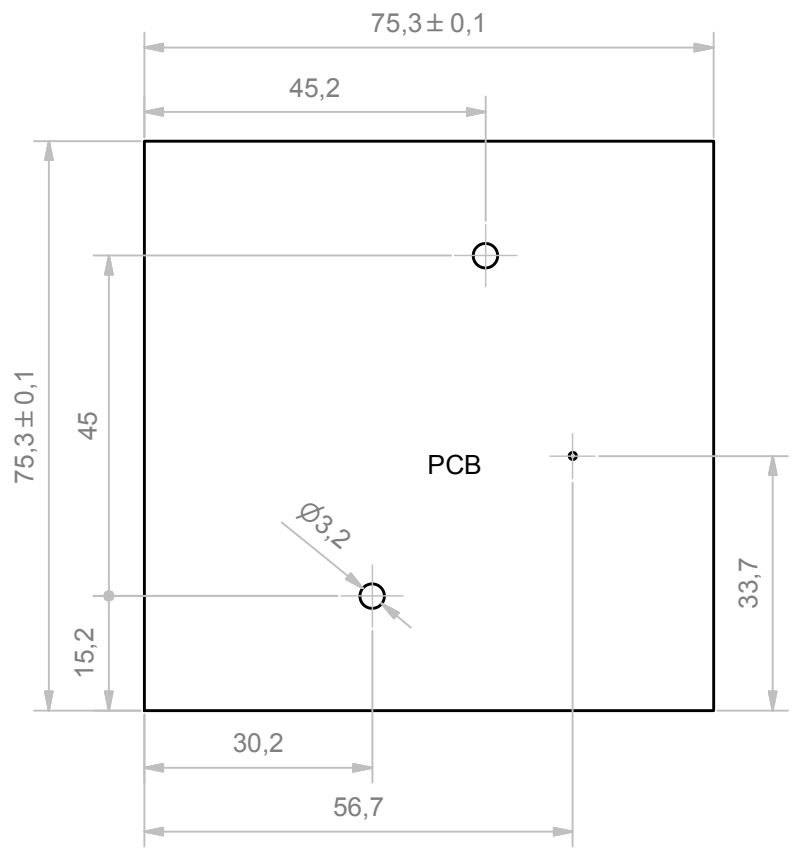
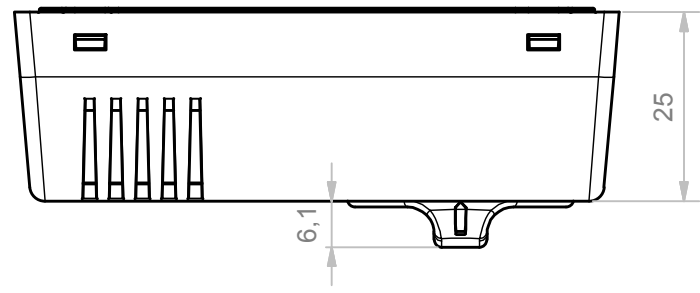
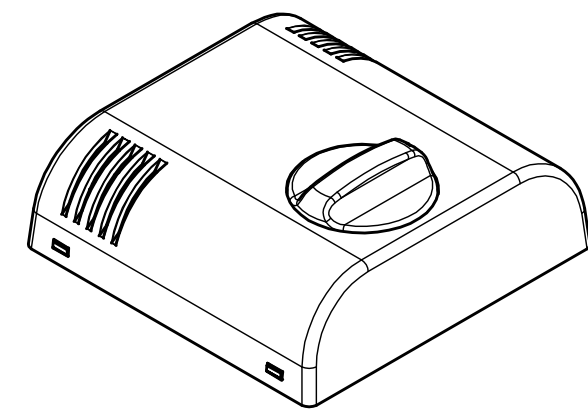
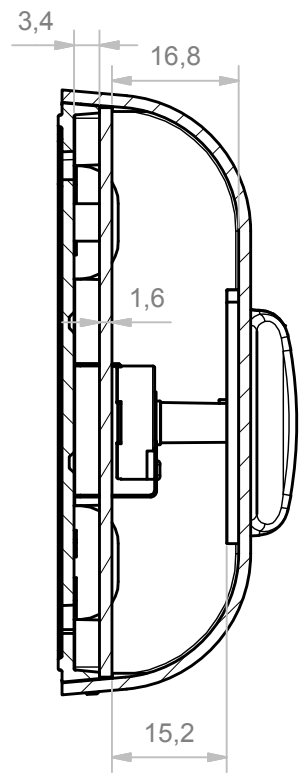


A-A (1:1)



RIF.	Q.TY	DESCRIPTION	CODE
1	1	COVER THERMO 80 WITH HOLE FOR KNOB D30	V-01496
2	1	KNOB D30 MM	V-01382
3	1	PIN THERMO	V-01384
4	1	BASE THERMO 80 WITH SPACERS 4 MM	V-01378

RESERVED PROPERTY: The present drawing cannot be reproduced or communicated to 3d parties, even partially, without the authorization of ITALTRONIC Srl. Italtronic reserves to protect its own rights according to the law.

GENERAL TOLERANCE	UNI EN 22768/1 Media (m)	Drawn:	Checked:	Revision description
SHEET NR.	Dimension in mm	1 / 1	Rigato N.	Fanin F.
			Date:	Replace nr.
			03/03/2017	Part number:

Denomination: COMPLETE ENCLOSURE THERMO 80 WITH KNOB AND SPACERS

Plastic+ Group
UN PARTNER PER IL FUTURO

ITALTRONIC S.R.L.
VIA AUSTRIA 25/D 35127
PADOVA - ITALY
www.italtronic.com

Drawing nr. **T-06810-00**