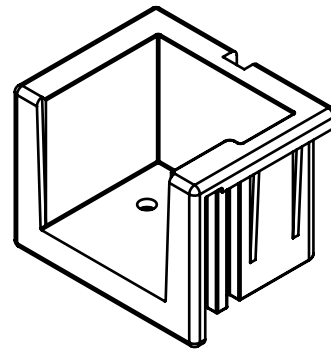
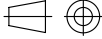



SECTION A-A



General Tolerance UNI EN 22768/1 Media (m)					Sheet:	
from 0.5 to 3 ± 0.1	from 3 to 6 ± 0.1	from 6 to 30 ± 0.2	from 30 to 120 ± 0.3	from 120 to 400 ± 0.5	1	
Scale: 2:1	Drawn: R.N.	Checked: R.N.	Date: 11/03/2022	Material: PC/ABS	Process: INJECTION	
 Dimension in mm	<small>The present drawing cannot be reproduced or communicated to 3rd parties, even partially, without the authorization of ITALTRONIC Srl. Italtronic reserves to protect its own rights according to the law.</small>			Derived from: --	Weight: 0.98 gr	Cod. Mold: ST.0512900
 italtronic enclosures for electronics italtronic.com			Description: ACCESSORIO UNIVERSALE EIB EIB UNIVERSAL ACCESSORY			
Drawing nr.: 2_250_03622				Rev.:	00 A4	