

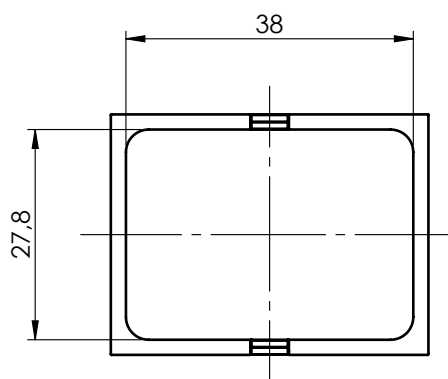
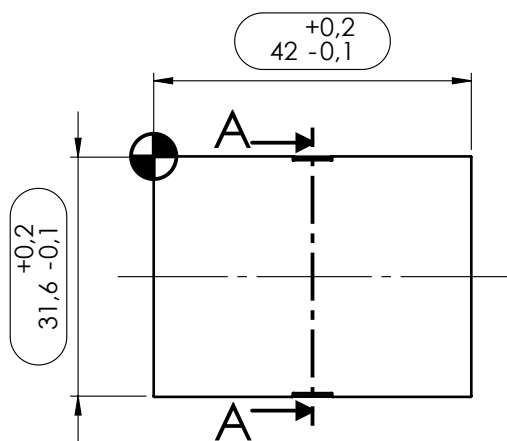
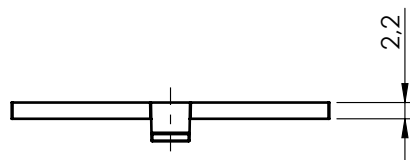
4

3

2

1

Revisions			
Rev.	Description	Date	Mod. by
1	Aggiornato disegno	09/07/2024	M.S.



SECTION A-A

General information:

- Workpiece zero point for mechanical processing
- Minimum recommended radius for machining = R1.0 mm

General Tolerance UNI EN 22768/1 Media (m)					Sheet:	
from 0.5 to 3	from 3 to 6	from 6 to 30	from 30 to 120	from 120 to 400	1	
± 0.1	± 0.1	± 0.2	± 0.3	± 0.5	Process:	
Scale: 1:1	Drawn:	Checked: R.N.	Date: 31/05/2023	Material: PC/ABS-PC	INJECTION	
Dimension in mm		Derived from:		Weight: 3.05 gr	Cod. Mold: ST.0511400	
		<small>The present drawing cannot be reproduced or communicated to 3rd parties, even partially, without the authorization of ITALTRONIC Srl. Italtronic reserves to protect its own rights according to the law.</small>		Description: PANNELLO MODULBOX SENZA CORNICE 2M PANEL MODULBOX WITHOUT FRAME 2M		
 enclosures for electronics italtronic.com		Drawing nr.: 2_250_03701		Rev.:	01	A4

4

3

2

1