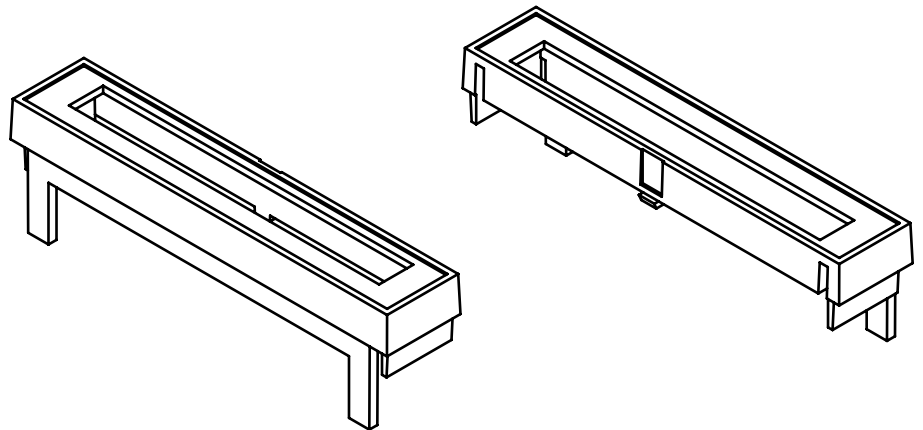


SECTION A-A



General Tolerance UNI EN 22768/1 Media (m)					Sheet:	
from 0.5 to 3 ± 0.1	from 3 to 6 ± 0.1	from 6 to 30 ± 0.2	from 30 to 120 ± 0.3	from 120 to 400 ± 0.5	1	
Scale: 1:1	Drawn: M.S.	Checked: R.N.	Date: 12/06/2023	Material: PC/ABS	Process: INJECTION	
Dimension in mm				Weight: 3.13 gr	Cod. Mold: ST.05CN002	
				Derived from: --		
 <b>italtronic</b> enclosures for electronics italtronic.com				Description: COPRIMORSETTO PREFORATO PASSO 6,35 9 VIE 4MP6,35R - 9,52 6 VIE 4MP9,52I TERMINAL COVER MODULBOX PRE-HOLED 4MP9,52I - 4MP6,35		
Drawing nr.:				Rev.:		
<b>2_250_03740</b>				00 A4		

General information:  
 - Workpiece zero point for mechanical processing  
 - Minimum recommended radius for machining = R1.0 mm

The present drawing cannot be reproduced or communicated to 3rd parties, even partially, without the authorization of ITALTRONIC Srl. Italtronic reserves to protect its own rights according to the law.