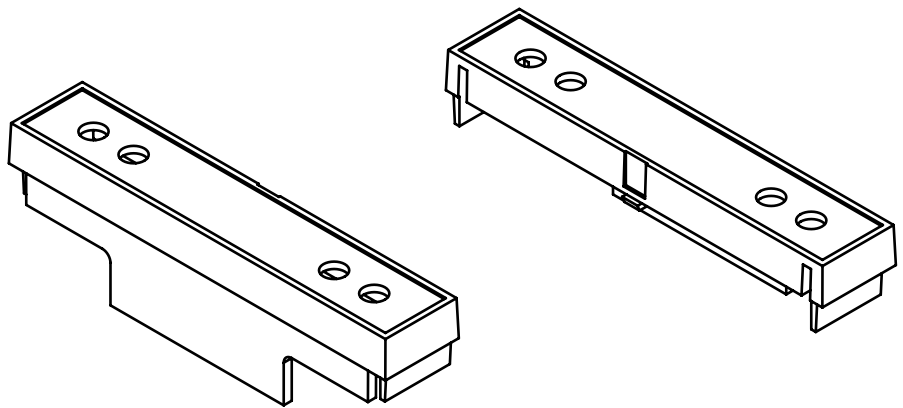
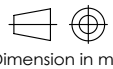




SECTION A-A



General Tolerance UNI EN 22768/1 Media (m)					Sheet:	
from 0.5 to 3 ± 0.1	from 3 to 6 ± 0.1	from 6 to 30 ± 0.2	from 30 to 120 ± 0.3	from 120 to 400 ± 0.5	1	
Scale: 1:1	Drawn: M.S.	Checked: R.N.	Date: 15/06/2023	Material: PC/ABS	Process: INJECTION	
Dimension in mm				Weight: 4.13 gr	Cod. Mold: ST.05CV000	
 <small>The present drawing cannot be reproduced or communicated to 3rd parties, even partially, without the authorization of ITALTRONIC Srl. Italtronic reserves to protect its own rights according to the law.</small>				Derived from: --		
 italtronic enclosures for electronics italtronic.com				Description: COPRIMORSETTO SPECIALE 4M-CM059 2+2 VIE 4MP7,5 TERMINAL COVER MODULBOX 4M-CM059 2+2 POLES		
Drawing nr.:				Rev.:		
2_250_03796				00		A4

General information:

-  Workpiece zero point for mechanical processing
- Minimum recommended radius for machining = R1.0 mm