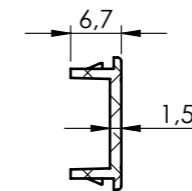
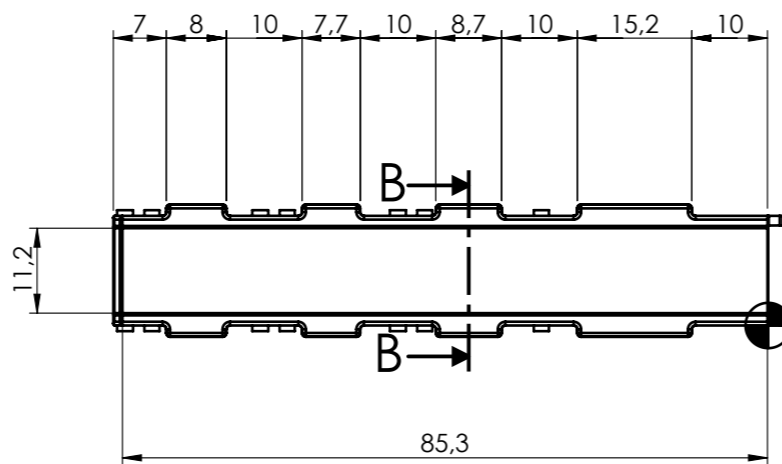
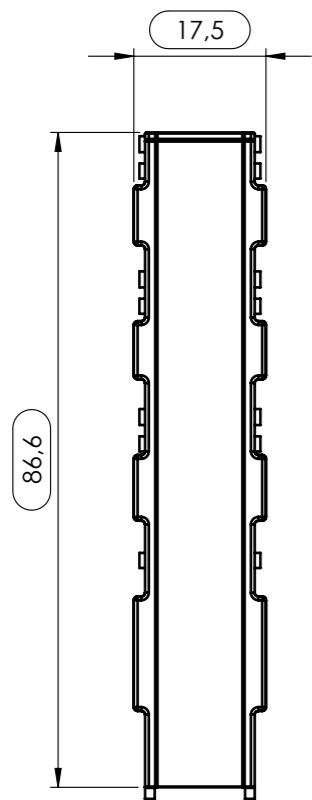
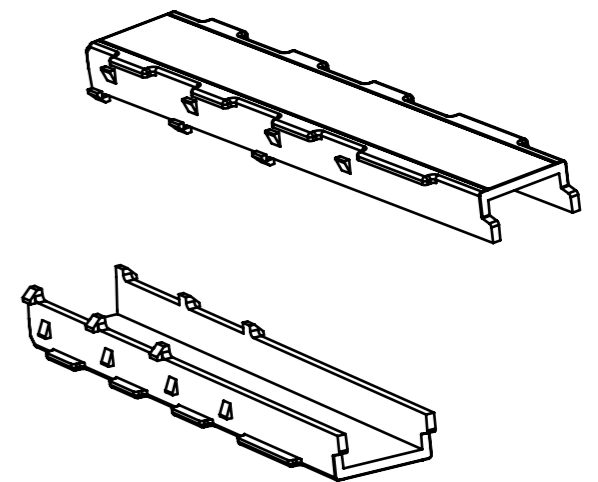
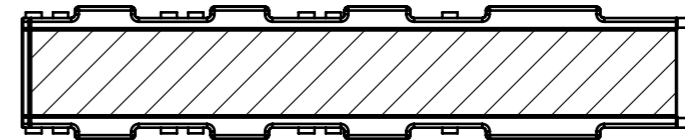


DETAIL A  
SCALE 2 : 1



SECTION B-B

General information:

- Workpiece zero point for mechanical processing
- Minimum recommended radius for machining = R1.0 mm

General Tolerance UNI EN 22768/1 Media (m)					Sheet:
from 0.5 to 3 ± 0.1	from 3 to 6 ± 0.1	from 6 to 30 ± 0.2	from 30 to 120 ± 0.3	from 120 to 400 ± 0.5	1
Scale: 1:1	Drawed: M.S.	Checked: R.N.	Date: 04/09/2023	Material: PC/ABS	Process: INJECTION
Dimension in mm	Replaces the: R-05973-00		Derived from: --	Weight: 3.81 gr	Cod. Mold: ST.1011110
Description: COPRIFFESSURA CHIUSO VER. 17.5 MM MULTILEVEL MULTILEVEL HOLE COVER CLOSED FOR 17.5 MM ENCLOSURE					Rev.:
Drawing nr.: <b>2_110_00080</b>					00 A3

