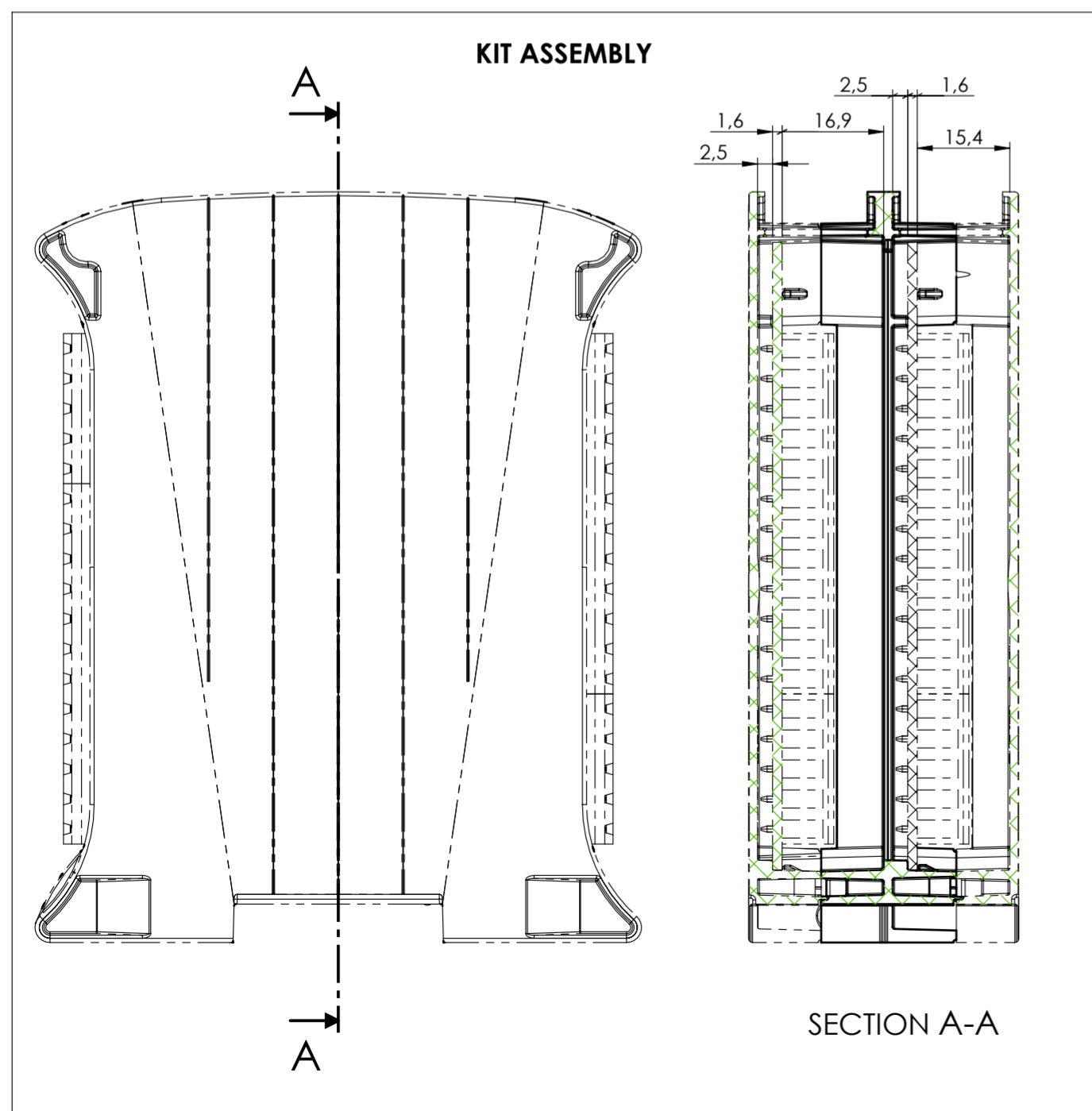
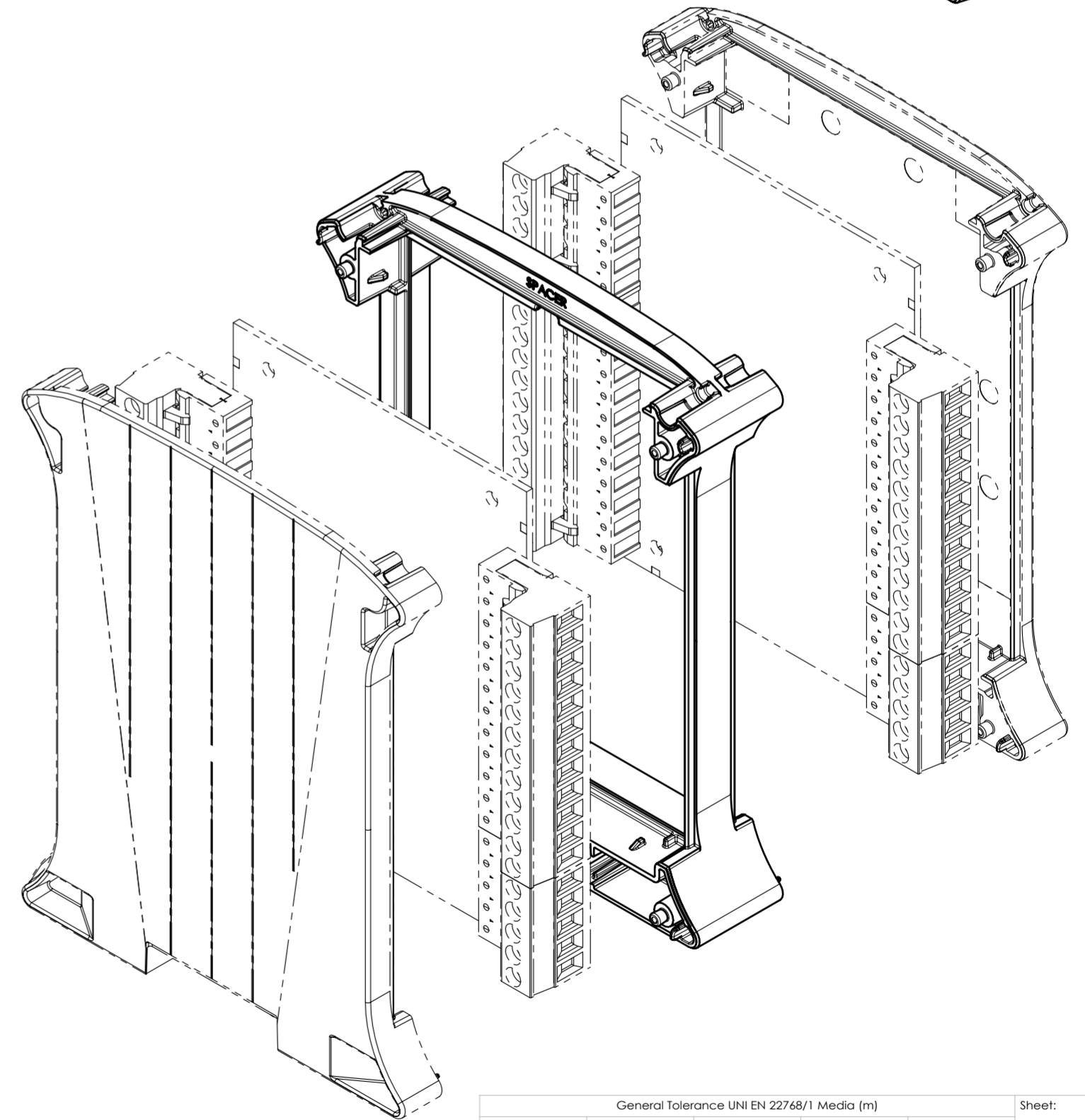
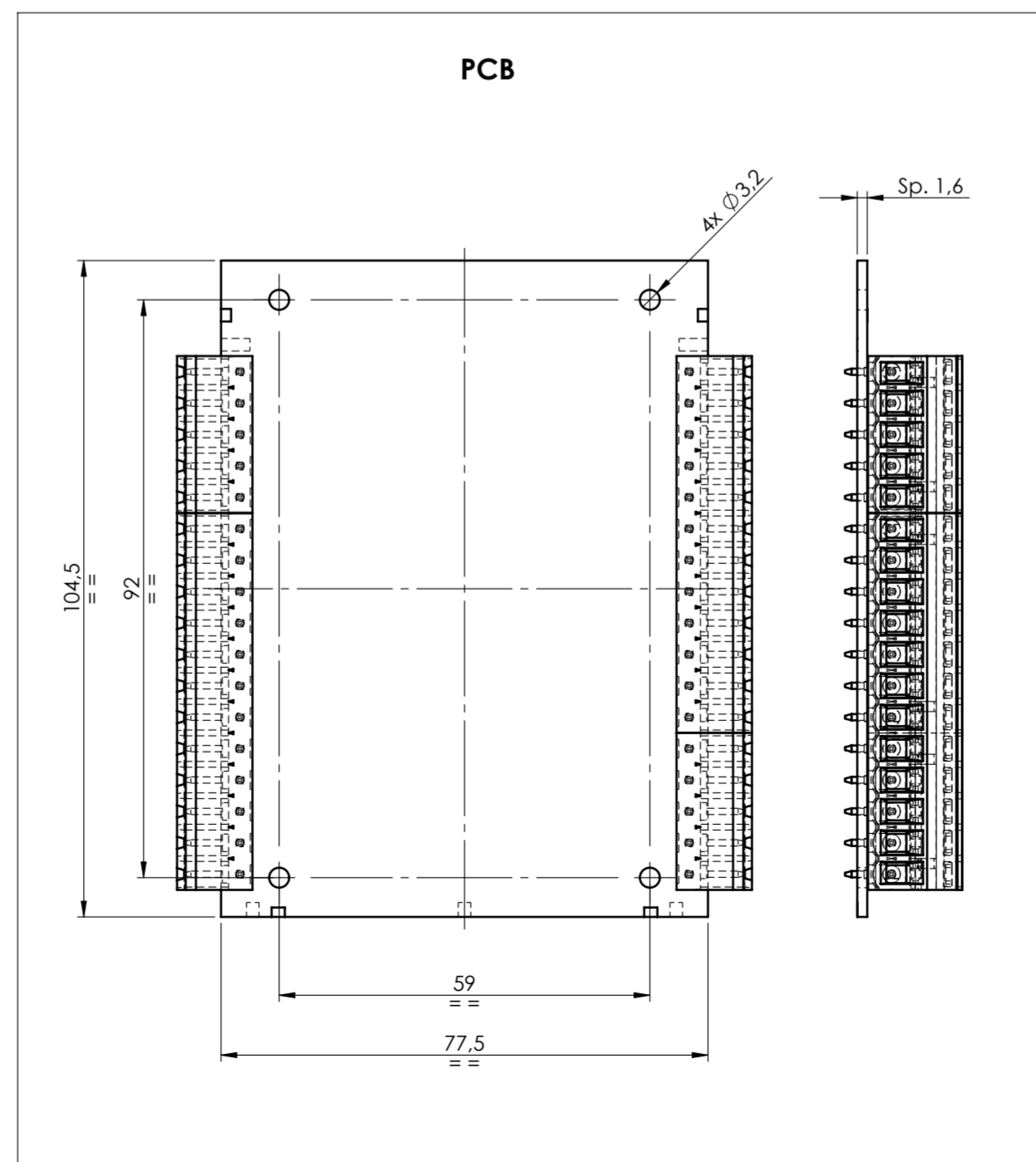


SECTION B-B



SECTION A-A



General Tolerance UNI EN 22768/1 Media (m)					Sheet:
from 0.5 to 3 ± 0.1	from 3 to 6 ± 0.1	from 6 to 30 ± 0.2	from 30 to 120 ± 0.1	from 120 to 400 ± 0.5	1
Scale: 1:1	Drawn: R.N.	Checked: R.N.	Date: 12/06/2024	Material: PC/ABS	Process: INJECTION
Derived from:			Weight: 23.90 gr	Cod. Mold: ST.10001025	
 italtronic.com		Description: DISTANZIALE RAILBOX XT VERTICAL SPACER RAILBOX XT VERTICAL Drawing nr.: 2_110_00129			Rev.: 00 A2