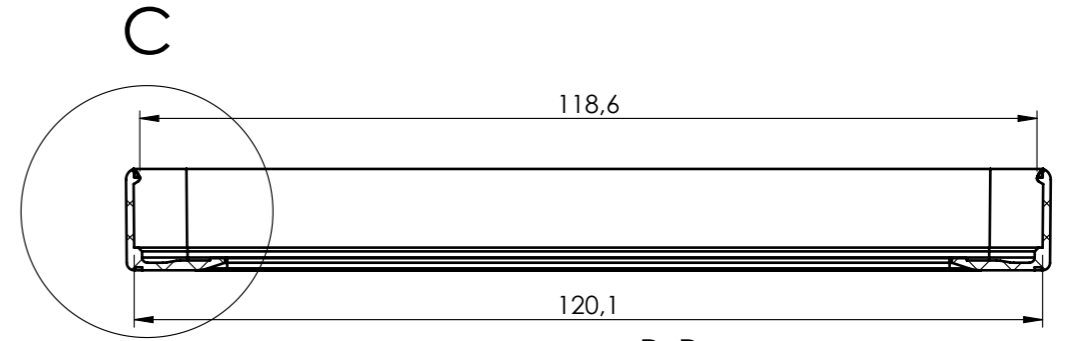
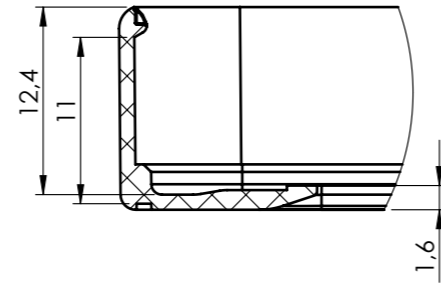
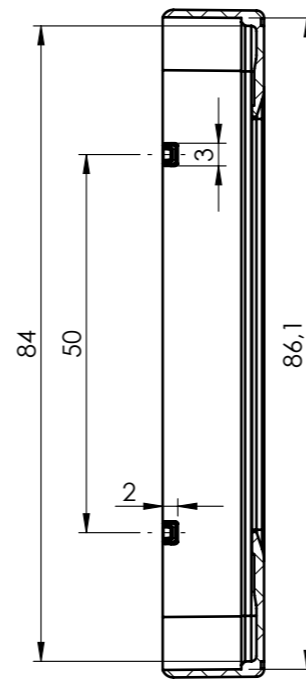
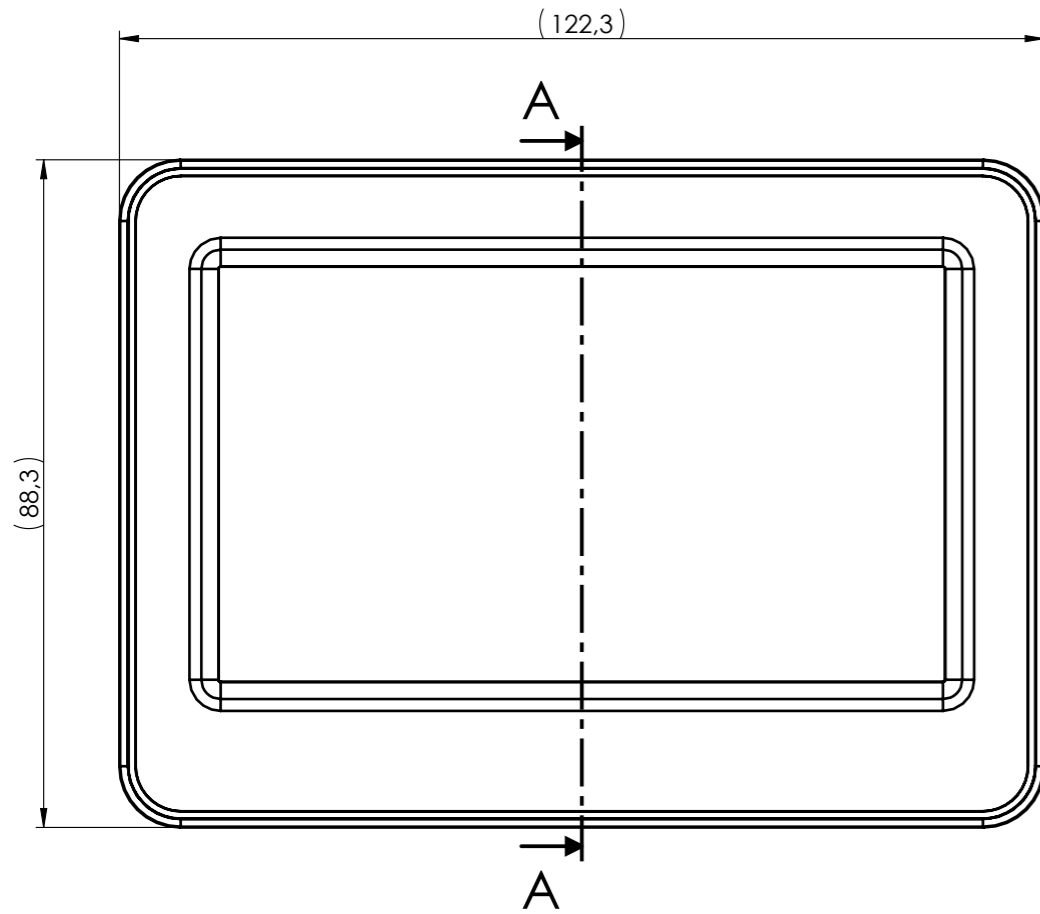


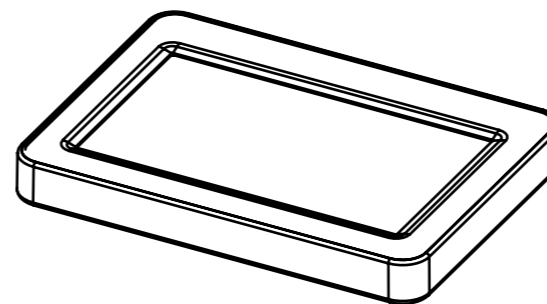
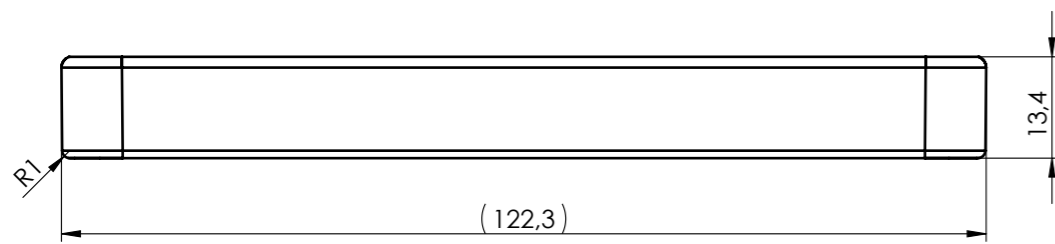
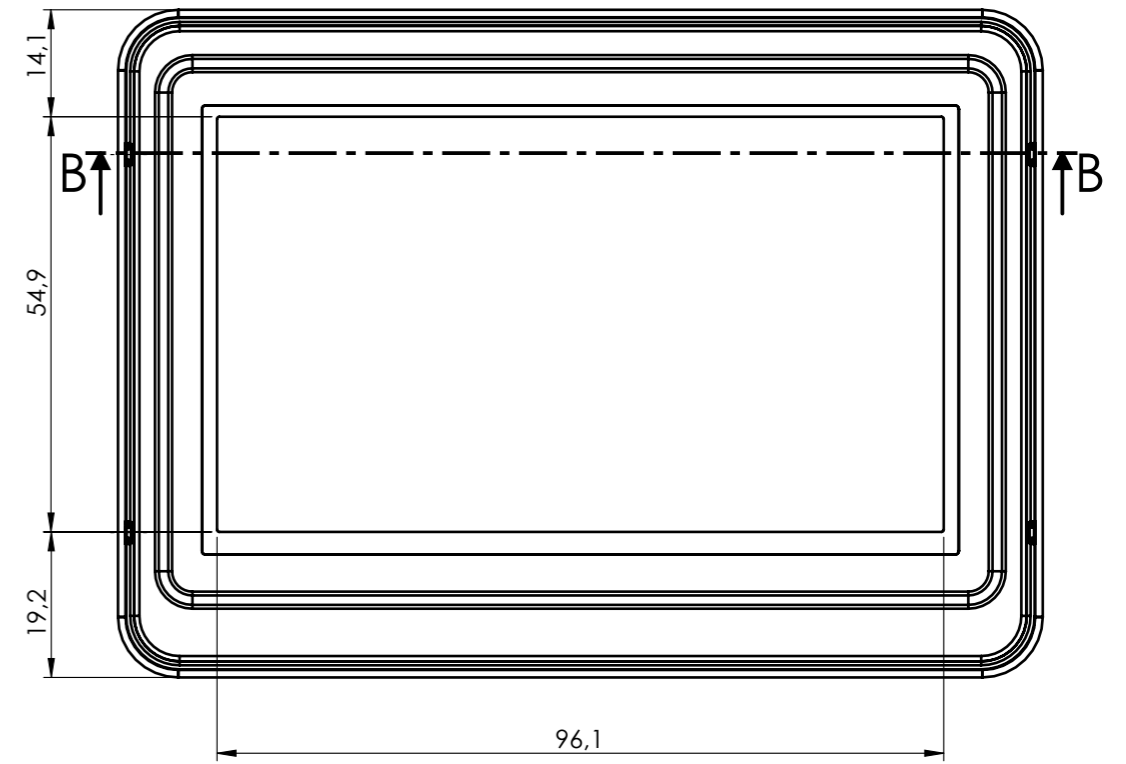
DETAIL C
SCALE 2 : 1



SECTION B-B



SECTION A-A



General Tolerance UNI EN 22768/1 Media (m)					Sheet:
from 0.5 to 3 ± 0.1	from 3 to 6 ± 0.1	from 6 to 30 ± 0.2	from 30 to 120 ± 0.3	from 120 to 400 ± 0.5	1
Scale: 1:1	Drawn: R.N.	Checked: R.N.	Date: 01/03/2023	Material: ABS	Process: INJECTION
Derived from: -				Weight: 11.57 gr	Cod. Mold: ST.1400230
Dimension in mm		<small>The present drawing cannot be reproduced or communicated to 3rd parties, even partially, without the authorization of ITALTRONIC S.p.A. Italtronic reserves to protect its own rights according to the law.</small>			
italtronic enclosures for electronics italtronic.com		Description: ANELLO ITOUCH STD SHAPE H10 ITOUCH STD SHAPE RING H10			Drawing nr.: 2_010_00042
				Rev.: 00	A3