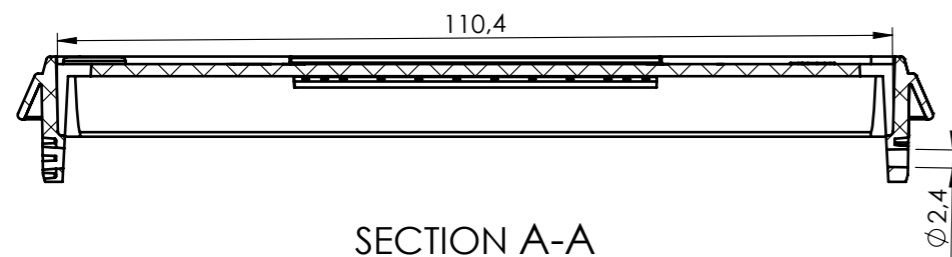
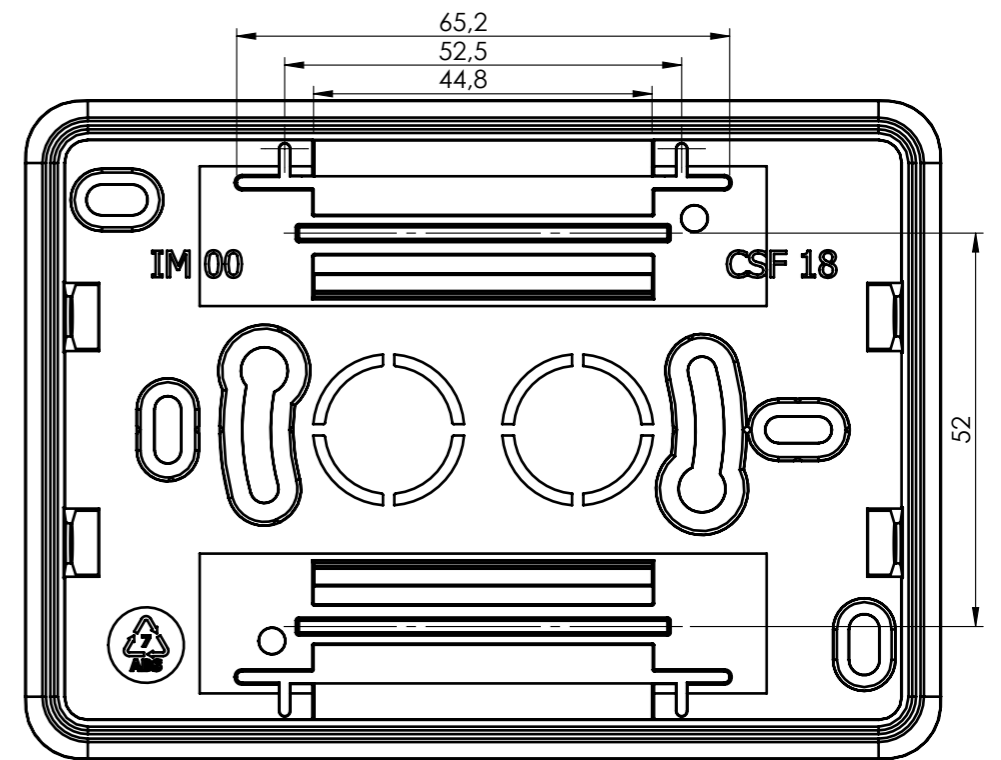
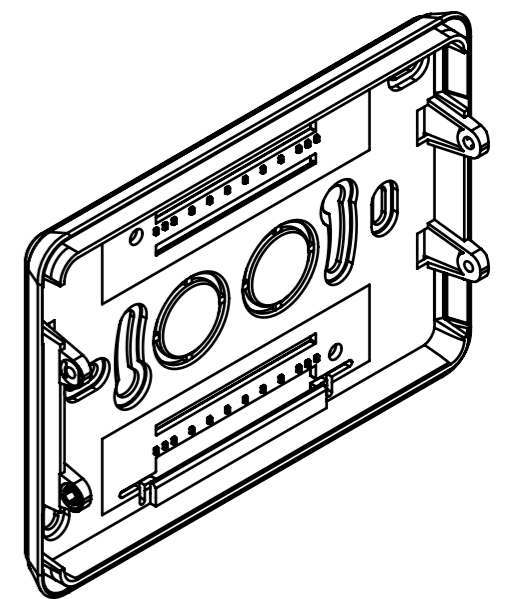


SECTION B-B



SECTION A-A



| General Tolerance UNI EN 22768/1 Media (m)  |                      |  |                         |                          | Sheet:                                  |
|---|----------------------|--|-------------------------|--------------------------|---|
| from 0.5 to 3<br>± 0.1  | from 3 to 6<br>± 0.1 | from 6 to 30<br>± 0.2  | from 30 to 120<br>± 0.3 | from 120 to 400<br>± 0.5 | 1                                       |
| Scale:<br>1:1   | Drawed:<br>R.N.      | Checked:<br>R.N.   | Date:<br>01/03/2023     | Material:<br>ABS         | Process:<br>INJECTION                   |
| Dimension in mm<br><small>The present drawing cannot be reproduced or communicated to 3rd parties, even partially, without the authorization of ITALTRONIC S.p.A. Italtronic reserves to protect its own rights according to the law.</small> |                      |  |                         | Derived from:            | Weight:<br>20.0 gr                      |
| <b>italtronic</b><br>enclosures for electronics<br>italtronic.com   |                      | Description:<br>PLACCA POSTERIORE PER MORSETTO CSF<br>REAR PLATE FOR CSF CLAMP<br>Drawing nr.:<br><b>2_010_00048</b> |                         |                          | Cod. Mold:<br>ST.1400212<br>Rev.:<br>00 |
|   |                      |  |                         |                          | A3                                      |