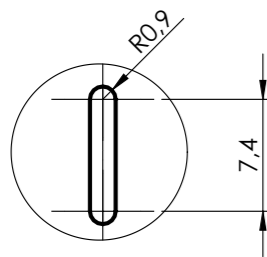
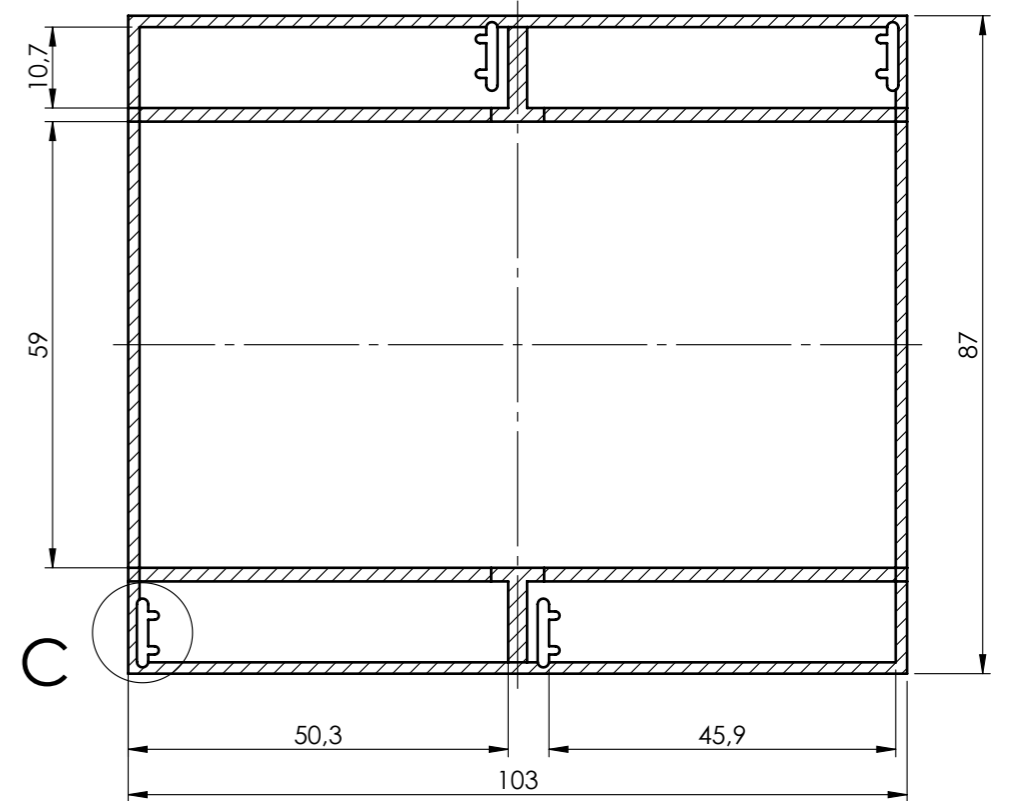
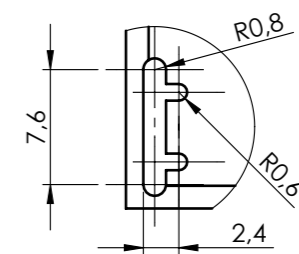
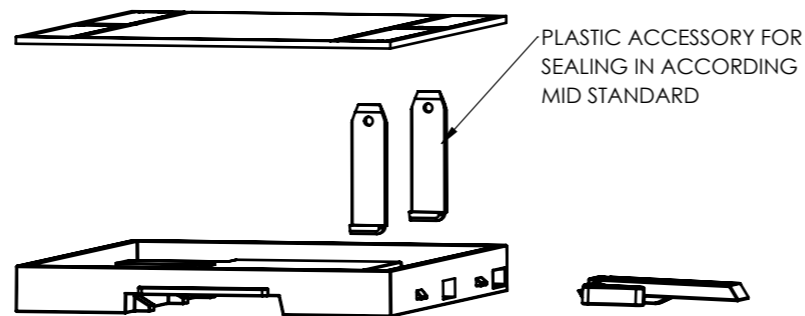
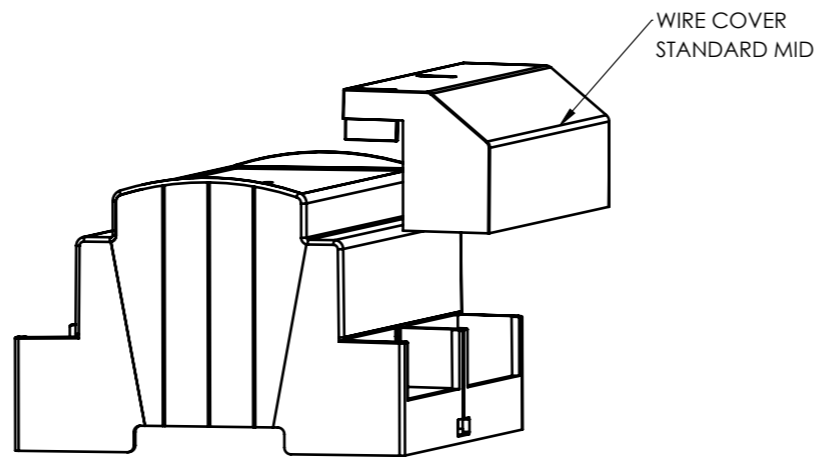



DETAIL B
SCALE 5 : 1



DETAIL A
SCALE 2 : 1



DETAIL C
SCALE 2 : 1

General Tolerance UNI EN 22768/1 Media (m)					Sheet:
from 0.5 to 3 ± 0.1	from 3 to 6 ± 0.1	from 6 to 30 ± 0.2	from 30 to 120 ± 0.3	from 120 to 400 ± 0.5	1
Scale: 1:1	Drawed: R.N.	Checked: R.N.	Date: 27/06/2023	Material: PC	Process: INJECTION
Dimension in mm	The present drawing cannot be reproduced or communicated to 3rd parties, even partially, without the authorization of ITALTRONIC S.p.A. Italtronic reserves to protect its own rights according to the law.			Weight: 14.91 gr	Cod. Mold: ST.0508120
 italtronic enclosures for electronics italtronic.com		Description: COPRIFIL0 6M A NORMA MID 6M WIRE COVER MID STANDARD Drawing nr.: 2_250_03810			Rev.: - A3